

EN	ZM10.WALL Installation Manual
DE	ZM10.WALL Installationsanleitung
FR	ZM10.WALL Manuel d'installation
ES	ZM10.WALL Manual de instalación

Wall/Panel Mount Bracket
Wandmontageadapter
Kit de montage mural
Soporte de montaje en pared/panel

Doc. ID: PU-200.015.77-xxA (2018-12-27-MR1)

Product Description

The ZM10.WALL is a mechanical accessory to mount a device on a flat surface or panel without utilizing a DIN-rail. The brackets can be mounted without detaching the DIN-rail brackets.

The order number ZM10.WALL contains two brackets (one for the left and one for the right side) and two screws needed for one device.

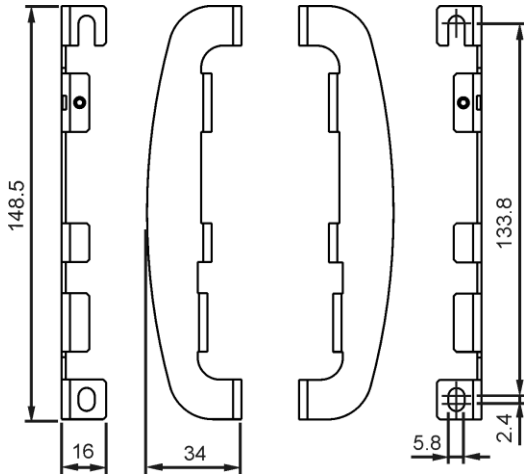
Intended Use

This mechanical accessory is designed for DIN-rail devices. Check the product datasheet of the DIN-rail device to confirm that it is suitable for the desired device.

Technical Data

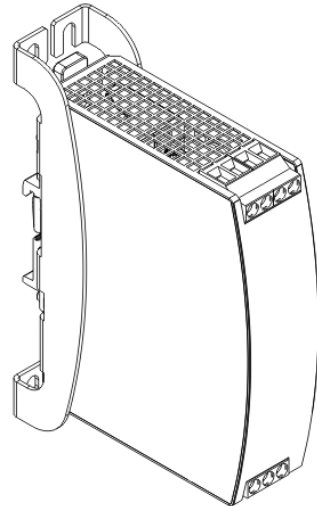
Size (width x height x depth)	16x148.5x34mm
Weight	85g / 0.19lb

Mechanical Dimensions



All dimension in mm

Mounting Example



Installation Instructions

- 1) Insert the screw on the right wall mount bracket with two full turns.
- 2) Insert and push the right wall mount bracket against the side of the device.
- 3) Tighten the screw.
- 4) Insert the screw on the left wall mount bracket with two full turns.
- 5) Insert and push the left wall mount bracket against the side of the device.
- 6) Tighten the screw.

