



WALL / PANEL MOUNT BRACKET

- Rugged Metal Bracket
- Suitable for Specific DIMENSION Units

1. GENERAL DESCRIPTION

The ZM10.WALL is a mechanical accessory to mount a device on a flat surface or panel without utilizing a DIN-rail. The brackets can be mounted without detaching the DIN-rail brackets.

The order number ZM10.WALL contains two brackets (one for the left and one for the right side) and two screws needed for one device.

2. SHORT-FORM DATA

Size (WxHxD)	16x148.5x34mm
Weight	85g / 0.19lb

INDEX

	Page		Page
1. General Description	1	5. Installation Instructions	2
2. Short-form Data	1	6. Physical Dimensions and Weight.....	3
3. Order Number	1		
4. Intended Use	2		

The information given in this document is correct to the best of our knowledge and experience at the time of publication. If not expressly agreed otherwise, this information does not represent a warranty in the legal sense of the word. As the state of our knowledge and experience is constantly changing, the information in this data sheet is subject to revision. We therefore kindly ask you to always use the latest issue of this document (available under www.pulspower.com).

No part of this document may be reproduced or utilized in any form without our prior permission in writing.

3. ORDER NUMBER

ZM10.WALL This order number consists of two brackets and two screws.

4. INTENDED USE

This mechanical accessory is designed for DIN-rail devices. Check the product datasheet of the DIN-rail device to confirm that it is suitable for the desired device.

Mounting example:

Fig. 4-1 **Isometric view**
(Picture shows the CP5.241 power supply)

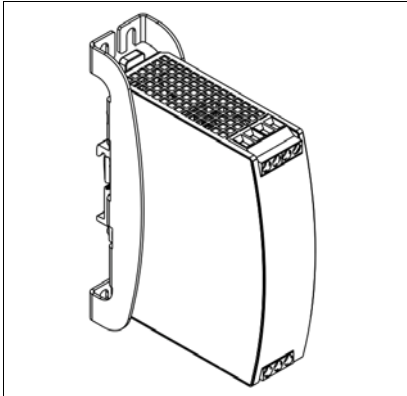


Fig. 4-2 **Isometric view-**
(Picture shows the CP5.241 power supply)

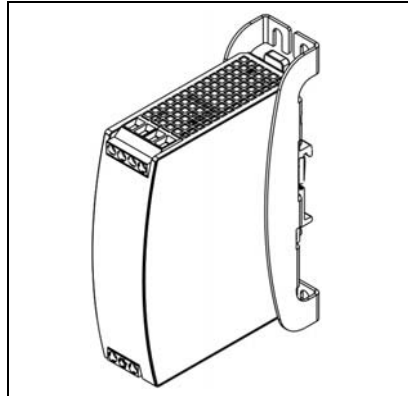
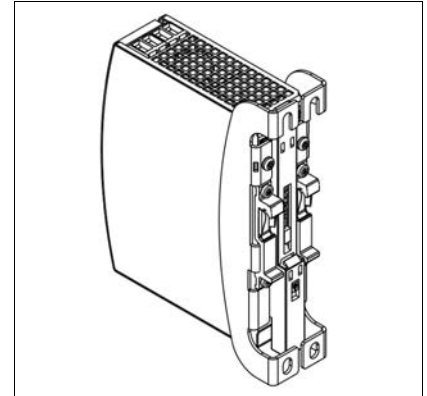


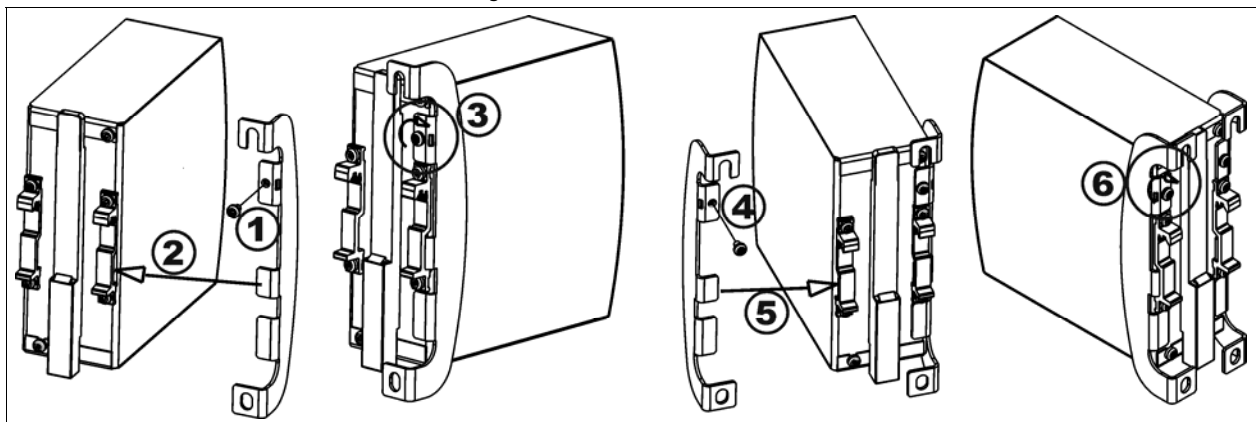
Fig. 4-3 **Isometric view**
(Picture shows the CP5.241 power supply)



5. INSTALLATION INSTRUCTIONS

- 1) Insert the screw on the right wall mount bracket with two full turns.
- 2) Insert and push the right wall mount bracket against the side of the device.
- 3) Tighten the screw.
- 4) Insert the screw on the left wall mount bracket with two full turns.
- 5) Insert and push the left wall mount bracket against the side of the device.
- 6) Tighten the screw.

Fig. 5-1 **Installation instruction**



6. PHYSICAL DIMENSIONS AND WEIGHT

Width	16mm / 0.63"
Height	148.5mm / 5.85"
Depth	34mm / 1.34"
Weight	85g / 0.19lb
Bracket material	Zinc-plated steel

Fig. 6-1 **Sizes**

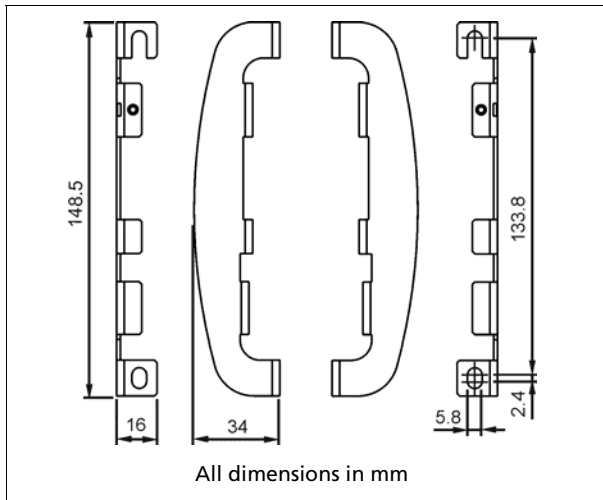


Fig. 6-2 **Wall/panel mounting, front view**
(Example: CP5.241 power supply)

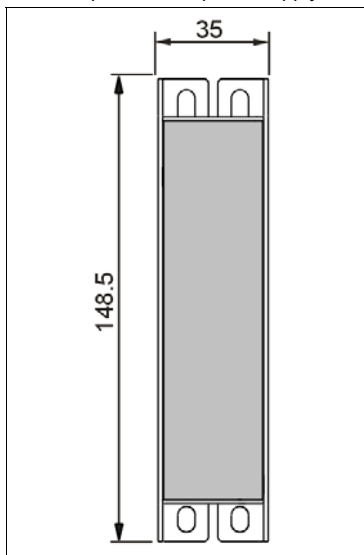


Fig. 6-3 **Hole pattern for wall mounting**
(Example: CP5.241 power supply)

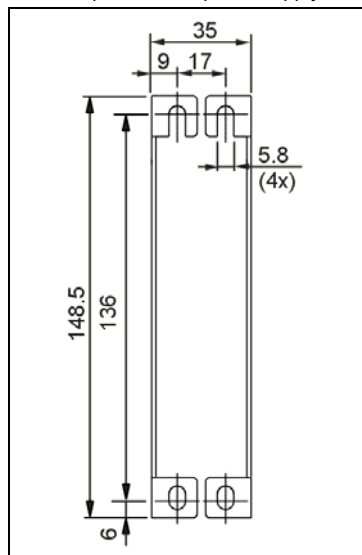


Fig. 6-4 **Wall/panel mounting, side view**
(Example: CP5.241 power supply)

