



SENSOR BOARD FOR BATTERY MODULES

- Suitable for most of the PULS DC-UPS Control Units
- Includes a PT1000 Temperature Sensor
- Includes an Auto-Resettable Fuse for the Center-Tap Connection

PRODUCT DESCRIPTION

This sensor board contains a PT1000 temperature sensor and an auto-resettable fuse, which is suitable for charging currents up to 3.5A. The fuse protects the center-tap wire between the battery module and the DC-UPS control unit. The UZS24.100 is compatible with most of the PULS DC-UPS control units and enables all the benefits of the PULS 1-Battery-Concept. This makes the use of matched replacement batteries unnecessary and allows a precise battery charging and testing which results in the longest possible battery life.

SHORT-FORM DATA

Size (WxHxD)	110.5x23x15mm
Wire length	500mm
Weight	30g / 0.07lb

ORDER NUMBERS

UZS24.100 Sensor board comprising a PT1000 temperature sensor and an auto-resettable center-tap fuse

MAIN APPROVALS

For details and the complete approval list, see chapter 5



UL 61010-2-201



Class I Div 2

INDEX

	Page
1. Intended Use	3
2. Installation and Wiring	3
3. Functional Diagram.....	4
4. Terminals	4
5. Approved, Fulfilled or Tested Standards.....	4
6. Regulatory Product Compliance	5
7. Physical Dimensions and Weight.....	5

The information given in this document is correct to the best of our knowledge and experience at the time of publication. If not expressly agreed otherwise, this information does not represent a warranty in the legal sense of the word. As the state of our knowledge and experience is constantly changing, the information in this data sheet is subject to revision. We therefore kindly ask you to always use the latest issue of this document (available under www.pulspower.com).

No part of this document may be reproduced or utilized in any form without our prior permission in writing.

1. INTENDED USE

This sensor board is designed for 24V, 20A DC-UPS battery modules. The use of this sensor board is optional. If this device is used in a manner outside of its specification, the protection provided by the device may be impaired.

2. INSTALLATION AND WIRING

The sensor board shall be installed as close as possible to the batteries in order to measure the precise temperature of the batteries.

- A** Connect pin 11 and 12 (Temp. Sensor) to the corresponding pins on the DC-UPS control unit.
- B** Connect pin 13 (Tap) to the corresponding pin on the DC-UPS control unit. Using the center tap connection is optional. Without this connection, the DC-UPS will function like a traditional UPS system without the above mentioned benefits.
- C** Connect the blue wire (AWG18, length 0.5m) to the interconnection between the two batteries. Shorten the wire to the required length. Between pin 13 (Tap) and this wire, is a pre-installed auto-resettable fuse, which is provided to protect the wire between the sensor board and the DC-UPS control unit. The maximal allowed charging current is 3.5A.

Fig. 3-1 Wiring Assignment

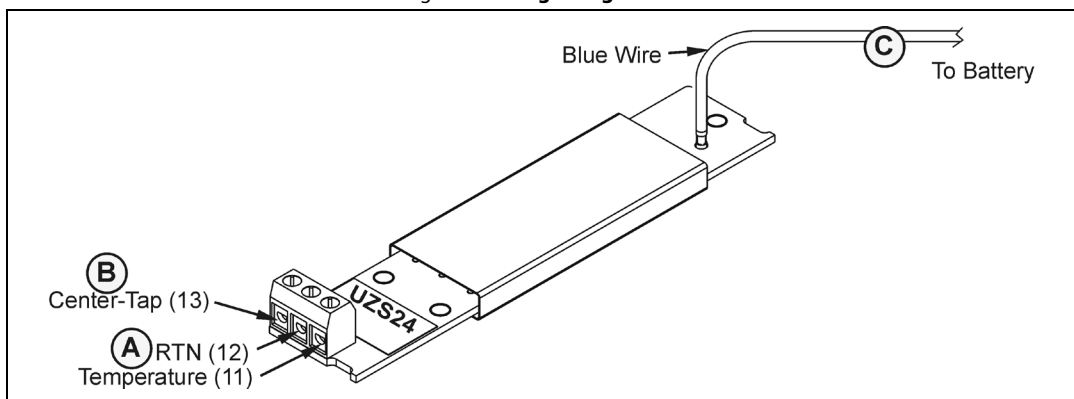
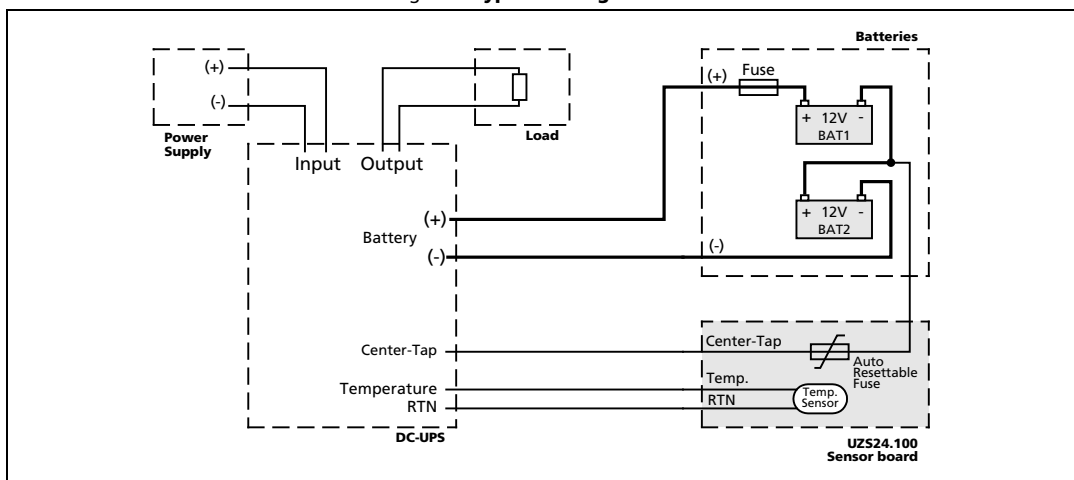
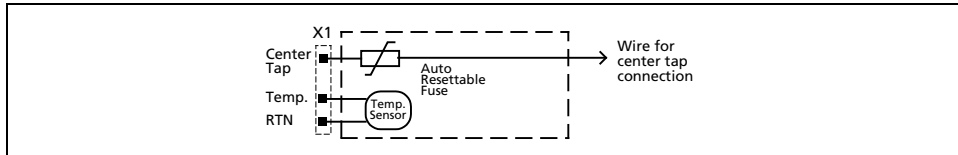


Fig. 3-2 Typical wiring scheme



3. FUNCTIONAL DIAGRAM

Fig. 2-1 Functional diagram





4. TERMINALS

The screw terminals are IP20 Finger safe constructed and suitable for field and factory wiring.

Solid wire	0.5-1.5mm ²
Stranded wire	0.5-1.5mm ²
American Wire Gauge	AWG 20-14
Max. wire diameter	1.5mm (including ferrules)
Wire stripping length	6mm / 0.25inch
Screwdriver	3 x 0.5mm slotted
Recommended tightening torque	0.5Nm / 4lb-in

5. APPROVED, FULFILLED OR TESTED STANDARDS

IEC 61010-2-201		CB Scheme Certificate Electrical Equipment for Measurement, Control and Laboratory Use - Particular requirements for control equipment
UL 61010-2-201		UL Certificate Listed equipment for category NMTR - Electrical Equipment for Measurement, Control and Laboratory Use - Particular requirements for control equipment Applicable for US and Canada E-File: E198865
Class I Div 2		CSA Certificate Power Supplies for Hazardous Location Applicable for Canada and US CSA Class: 5318-01 (Canada), 5318-81 (USA) Temperature Code: T4 Groups: A, B, C and D

6. REGULATORY PRODUCT COMPLIANCE

EU Declaration of Conformity



The CE mark indicates conformance with the
- Low-voltage directive
- RoHS directive

WEEE Regulation



Manufacturer's Declaration
EU Regulation on Waste Electrical and Electronic Equipment
Registered as business to business (B2B) products

EAC TR Registration

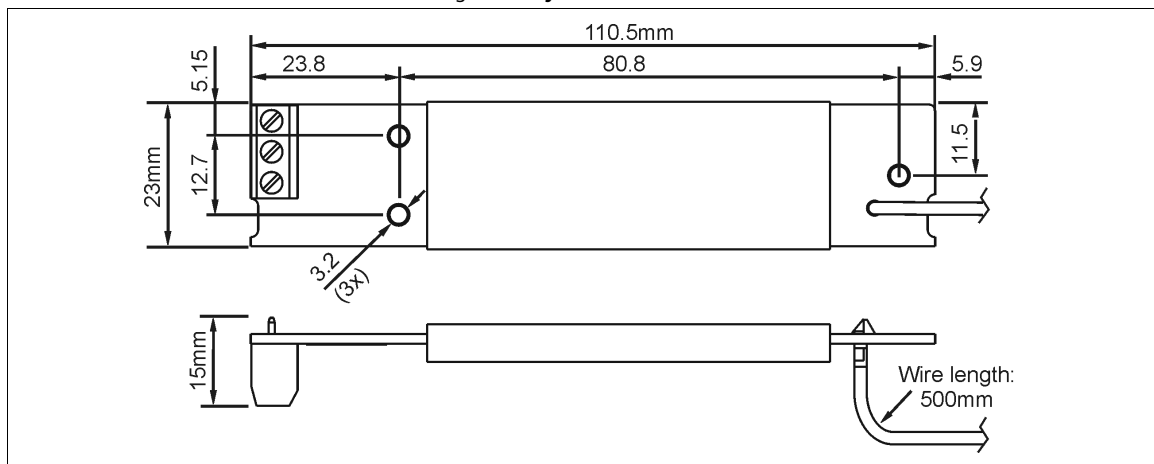


EAC Certificate
EAC EurAsian Conformity - Registration Russia, Kazakhstan and Belarus
8504408200, 8504409000

7. PHYSICAL DIMENSIONS AND WEIGHT

Dimensions 110.5 x 23 x 15mm
Wire length 500mm
Weight 30g / 0.07lb

Fig. 7-1 Physical Dimensions



The information presented in this document is believed to be accurate and reliable and may change without notice.
No part of this document may be reproduced or utilized in any form without permission in writing from the publisher.