



### POWER SUPPLY

- AC 100-240V Wide-range Input
- Width only 39mm
- Efficiency up to 94.3%
- Excellent Partial Load Efficiency
- 20% Output Power Reserves (PowerBoost)
- Safe Hiccup<sup>PLUS</sup> Overload Mode
- Easy Fuse Breaking due to High Overload Peak Current
- Active Power Factor Correction (PFC)
- Minimal Inrush Current Surge
- Full Power Between -25°C and +60°C
- Remote ON / OFF Function
- DC-OK Relay Contact
- 3 Year Warranty

### PRODUCT DESCRIPTION

The DIMENSION CP-Series units are high-end power supplies in a medium price range without compromising quality, reliability and performance. The CP-Series is part of the DIMENSION power supply family. The most outstanding features of CP10 are the high efficiency, advanced inrush current limitation, active PFC and the wide operational temperature range.

The CP-Series includes all the essential basic functions. The devices also offer PowerBoost: Power reserves of 20%, which may even be used continuously at temperatures up to +45°C.. Additionally, the CP10 can deliver three times the nominal output current for at least 12ms which helps to trip fuses on faulty output branches.

High immunity to transients and power surges as well as low electromagnetic emission, a shut-down input, a DC-OK relay contact and a large international approval package for a variety of applications makes this unit suitable for nearly every situation.

### SHORT-FORM DATA

Output voltage	DC 12V	Nominal
Adjustment range	12 - 15Vdc	Factory setting 12.0V
Output current	16.0 – 12.8A	Up to +60°C ambient
	12.0 – 9.6A	At +70°C ambient
	Derate linearly between +60°C and +70°C	
PowerBoost	19.2A	Up to +45°C ambient
	Linear decrease to nominal power between +45°C and +60°C	
Input voltage AC	AC 100-240V	-15% / +10%
Mains frequency	50-60Hz	±6%
Input current AC	1.74 / 0.92A	At 120 / 230Vac
Power factor	0.99 / 0.96	At 120 / 230Vac
Input voltage DC	DC 110-150V ±20%	For CP10.121
	DC 110-300V ±20%	For CP10.122
Input current DC	1.90A	At 110Vdc
	1.38A	At 150Vdc
	0.68A	At 300Vdc
Input inrush current	6 / 9A pk	At 120 / 230Vac, 40°C
Efficiency	92.8 / 94.3%	At 120 / 230Vac
Losses	14.9 / 11.6W	At 120 / 230Vac
Hold-up time	50ms	
Temperature range	-25°C to +70°C	
Size (w x h x d)	39x124x117mm	Without DIN rail
Weight	600g	

### ORDER NUMBERS

Power Supply	<b>CP10.121</b>	Standard unit (preferred item)
	<b>CP10.122</b>	With extended DC-input
Accessory	ZM10.WALL	Wall/panel mount bracket
	ZM12.SIDE	Side mount bracket

### MAIN APPROVALS

For details and a the complete approval list, see chapter 21.



UL 61010-2-201



UL 60950-1



ATEX



IECEX



Class I Div 2



Marine



### INDEX

	Page		Page
1. Intended Use .....	3	22. Regulatory Product Compliance .....	22
2. Installation Instruction.....	3	23. Physical Dimensions and Weight .....	23
3. AC-Input.....	5	24. Accessories .....	24
4. DC-Input .....	6	24.1. ZM10.WALL - Wall/Panel Mount Bracket.....	24
5. Input Inrush Current.....	7	24.2. ZM12.SIDE - Side Mounting Bracket.....	25
6. Output .....	8	24.3. YR40.242 - Redundancy Module .....	25
7. Hold-up Time .....	9	25. Application Notes .....	26
8. DC-OK Relay Contact .....	10	25.1. Peak Current Capability .....	26
9. Remote ON / OFF Function.....	10	25.2. Back-feeding Loads.....	27
10. Efficiency and Power Losses .....	11	25.3. External Input Protection .....	27
11. Lifetime Expectancy.....	12	25.4. Output Circuit Breakers .....	27
12. MTBF .....	12	25.5. Parallel Use to Increase Output Power.....	28
13. Functional Diagram.....	13	25.6. Parallel Use for Redundancy .....	28
14. Terminals and Wiring.....	14	25.7. Series Operation.....	29
15. Front Side and User Elements.....	15	25.8. Inductive and Capacitive Loads .....	29
16. EMC .....	16	25.9. Charging of Batteries.....	29
17. Environment .....	17	25.10. Operation on Two Phases.....	30
18. Protection Features .....	18	25.11. Use in a Tightly Sealed Enclosure .....	30
19. Safety Features .....	18	25.12. Mounting Orientations .....	31
20. Dielectric Strength.....	19		
21. Approved, Fulfilled or Tested Standards.....	20		

The information given in this document is correct to the best of our knowledge and experience at the time of publication. If not expressly agreed otherwise, this information does not represent a warranty in the legal sense of the word. As the state of our knowledge and experience is constantly changing, the information in this data sheet is subject to revision. We therefore kindly ask you to always use the latest issue of this document (available under [www.pulspower.com](http://www.pulspower.com)).

No part of this document may be reproduced or utilized in any form without our prior permission in writing.

### TERMINOLOGY AND ABBREVIATIONS

<b>PE and  symbol</b>	PE is the abbreviation for <b>Protective Earth</b> and has the same meaning as the symbol  .
<b>Earth, Ground</b>	This document uses the term “earth” which is the same as the U.S. term “ground”.
<b>t.b.d.</b>	To be defined, value or description will follow later.
<b>AC 230V</b>	A figure displayed with the AC or DC before the value represents a nominal voltage with standard tolerances (usually ±15%) included. E.g.: DC 12V describes a 12V battery disregarding whether it is full (13.7V) or flat (10V)
<b>230Vac</b>	A figure with the unit (Vac) at the end is a momentary figure without any additional tolerances included.
<b>50Hz vs. 60Hz</b>	As long as not otherwise stated, AC 100V and AC 230V parameters are valid at 50Hz mains frequency. AC 120V parameters are valid for 60Hz mains frequency.
<b>may</b>	A key word indicating flexibility of choice with no implied preference.
<b>shall</b>	A key word indicating a mandatory requirement.
<b>should</b>	A key word indicating flexibility of choice with a strongly preferred implementation.

### 1. INTENDED USE

This device is designed for installation in an enclosure and is intended for commercial use, such as in industrial control, process control, monitoring and measurement equipment or the like.

Do not use this device in equipment, where malfunctioning may cause severe personal injury or threaten human life without additional appropriate safety devices, that are suited for the application.

If this device is used in a manner outside of its specification, the protection provided by the device may be impaired.

### 2. INSTALLATION INSTRUCTION

**⚠ WARNING Risk of electrical shock, fire, personal injury or death.**

- Turn power off before working on the device and protect against inadvertent re-powering.
- Do not open, modify or repair the device.
- Use caution to prevent any foreign objects from entering into the housing.
- Do not use in wet locations or in areas where moisture or condensation can be expected.
- Do not touch during power-on, and immediately after power-off. Hot surface may cause burns.

Obey the following installation instructions:

This device may only be installed and put into operation by qualified personnel.

This device does not contain serviceable parts. The tripping of an internal fuse is caused by an internal defect.

If damage or malfunction should occur during installation or operation, immediately turn power off and send unit to the factory for inspection.

Install device in an enclosure providing protection against electrical, mechanical and fire hazards.

Install the device onto a DIN rail according to EN 60715 with the input terminals on the bottom of the device. Other mounting orientations require a reduction in output current.

Make sure that the wiring is correct by following all local and national codes. Use appropriate copper cables that are designed for a minimum operating temperature of 60°C for ambient temperatures up to +45°C, 75°C for ambient temperatures up to +60°C and 90°C for ambient temperatures up to +70°C.

Ensure that all strands of a stranded wire enter the terminal connection. Use ferrules for wires on the input terminals. Unused screw terminals should be securely tightened.

The device is designed for pollution degree 2 areas in controlled environments. No condensation or frost is allowed.

The enclosure of the device provides a degree of protection of IP20. The enclosure does not provide protection against spilled liquids.

The isolation of the device is designed to withstand impulse voltages of overvoltage category III according to IEC 60664-1.

The device is designed as "Class of Protection I" equipment according to IEC 61140. Do not use without a proper PE (Protective Earth) connection.

The device is suitable to be supplied from TN, TT or IT mains networks. The continuous voltage between the input terminal and the PE potential must not exceed 300Vac.

The input can also be powered from batteries or similar DC sources. The continuous voltage between the supply voltage and the PE/ground potential must not exceed 375Vdc.

A disconnecting means shall be provided for the input of the device.

The device is designed for convection cooling and does not require an external fan. Do not obstruct airflow and do not cover ventilation grid!

The device is designed for altitudes up to 5000m. Above 2000m a reduction in output current and over voltage category is required.

Keep the following minimum installation clearances: 40mm on top, 20mm on the bottom, 5mm left and right side. Increase the 5mm to 15mm in case the adjacent device is a heat source. When the device is permanently loaded with less than 50%, the 5mm can be reduced to zero.

The device is designed, tested and approved for branch circuits up to 32A (IEC) and 30A (UL) without additional protection device. If an external fuse is utilized, do not use circuit breakers smaller than 6A B- or C-Characteristic to avoid a nuisance tripping of the circuit breaker.

The maximum surrounding air temperature is +70°C. The operational temperature is the same as the ambient or surrounding air temperature and is defined 2cm below the device.

The device is designed to operate in areas between 5% and 95% relative humidity.

#### **Installation Instructions for Hazardous Location Areas**

The device is suitable for use in Class I Division 2 Groups A, B, C, D locations and for use in Group II Category 3 (Zone 2) environments.

Classification: ATEX: EPS 15 ATEX 1 101 X, II 3G EX ec nC IIC T4 Gc / IECEx EPS 15.0079X

#### **WARNING EXPLOSION HAZARDS!**

Use only in standard vertical mounting orientation with the input terminals on bottom of the unit.

Substitution of components may impair suitability for this environment.

Do not disconnect the device or operate the voltage adjustment unless power has been switched off or the area is known to be non-hazardous.

A suitable enclosure must be provided for the end product, which has a minimum protection of IP54 and fulfils the requirements of the EN 60079-0.

### 3. AC-INPUT

AC input	Nom.	AC 100-240V	Suitable for TN-, TT- and IT mains networks
AC input range		85-264Vac 264-300Vac	For maximal 500ms
Allowed voltage L or N to earth	Max.	300Vac	Continuous, according to IEC 62103
Input frequency	Nom.	50–60Hz	±6%
Turn-on voltage	Typ.	80Vac	Steady-state value, see Fig. 3-1
Shut-down voltage	Typ.	70Vac	Steady-state value, see Fig. 3-1
	Typ.	55Vac	Dynamic value (250ms)
External input protection	See recommendations in chapter 25.3.		

		AC 100V	AC 120V	AC 230V	
Input current	Typ.	2.11A	1.74A	0.92A	At 12V, 16A, see Fig. 3-3
Power factor*)	Typ.	0.99	0.99	0.96	At 12V, 16A, see Fig. 3-4
Crest factor**)	Typ.	1.5	1.65	1.65	At 12V, 16A
Start-up delay	Typ.	300ms	290ms	240ms	See Fig. 3-2
Rise time	Typ.	18ms	18ms	18ms	At 12V, 16A const. current load, 0mF load capacitance, see Fig. 3-2
	Typ.	35ms	35ms	35ms	At 12V, 16A const. current load, 16mF load capacitance, see Fig. 3-2
Turn-on overshoot	Max.	200mV	200mV	200mV	See Fig. 3-2

\*) The power factor is the ratio of the true (or real) power to the apparent power in an AC circuit.

\*\*\*) The crest factor is the mathematical ratio of the peak value to RMS value of the input current waveform.

Fig. 3-1 Input voltage range

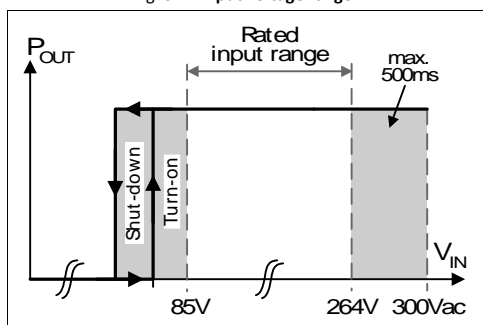


Fig. 3-2 Turn-on behavior, definitions

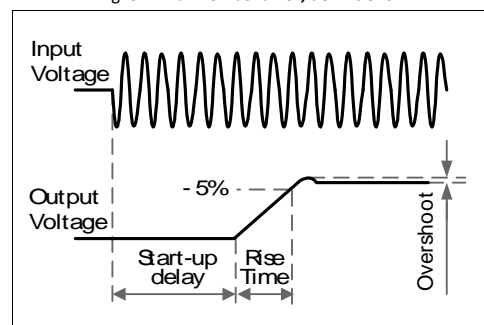


Fig. 3-3 Input current vs. output current at 12V output voltage

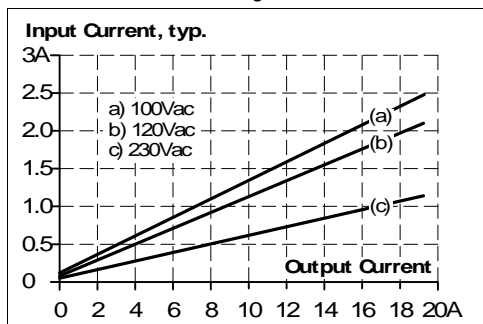
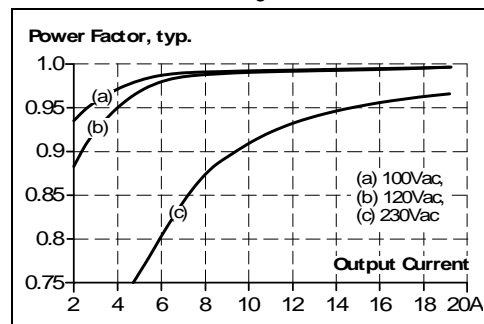


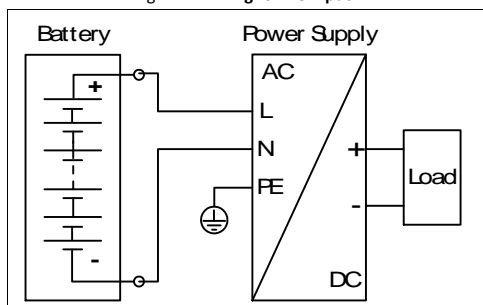
Fig. 3-4 Power factor vs. output current at 12V output voltage



### 4. DC-INPUT

Input voltage DC	Nom.	DC 110-150V $\pm$ 20%	For CP10.121
	Nom.	DC 110-300V $\pm$ 20%	For CP10.122
Input voltage range DC		88-180Vdc	For CP10.121
		88-360Vdc	For CP10.122
DC input current	Typ.	1.90A	At 110Vdc, 12V, 16A
	Typ.	1.38A	At 150Vdc, 12V, 16A
	Typ.	0.68A	At 300Vdc, 12V, 16A
Allowed voltage L/N to earth	Max.	375Vdc	Continuous, according to IEC 62477-1
Turn-on voltage	Typ.	80Vdc	Steady state value
Shut-down voltage	Typ.	70Vdc	Steady state value
	typ.	55Vac	Dynamic value (250ms)

Fig. 4-1 Wiring for DC Input



#### Instructions for DC use:

- Use a battery or a similar DC source. A supply from the intermediate DC-bus of a frequency converter is not recommended and can cause a malfunction or damage the unit.
- Connect +pole to L and -pole to N.
- Connect the PE terminal to an earth wire or to the machine ground.

### 5. INPUT INRUSH CURRENT

An active inrush limitation circuit (NTCs, which are bypassed by a relay contact) limits the input inrush current after turn-on of the input voltage.

The charging current into EMI suppression capacitors is disregarded in the first microseconds after switch-on.

		AC 100V	AC 120V	AC 230V	
Inrush current	Max.	11A <sub>peak</sub>	7A <sub>peak</sub>	11A <sub>peak</sub>	At 40°C, cold start
	Typ.	9A <sub>peak</sub>	6A <sub>peak</sub>	6A <sub>peak</sub>	At 25°C, cold start
	Typ.	9A <sub>peak</sub>	6A <sub>peak</sub>	9A <sub>peak</sub>	At 40°C, cold start
Inrush energy	Max.	0.1A <sup>2</sup> s	0.1A <sup>2</sup> s	0.4A <sup>2</sup> s	At 40°C, cold start

Fig. 5-1 Typical turn-on behaviour at nominal load, 120Vac input and 25°C ambient

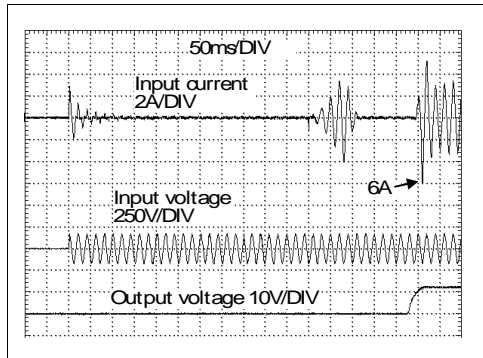
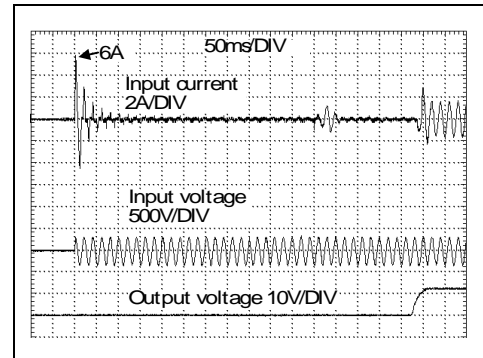


Fig. 5-2 Typical turn-on behaviour at nominal load, 230Vac input and 25°C ambient



### 6. OUTPUT

Output voltage	Nom.	12Vdc	
Adjustment range		12-15Vdc	Guaranteed value This is the maximum output voltage which can occur at the clockwise end position of the potentiometer due to tolerances. It is not a guaranteed value which can be achieved.
	Max.	16.5Vdc	
Factory settings	Typ.	12.0Vdc $\pm$ 0.2%	At full load and cold unit
Line regulation	Max.	10mV	Between 85 and 300Vac
Load regulation	Max.	50mV	Between 0 and 19.2A, static value, see Fig. 6-1
Ripple and noise voltage	Max.	50mVpp	Bandwidth 20Hz to 20MHz, 50Ohm
Output current	Nom.	16A	At 12V and up to +60°C ambient temperature, see Fig. 6-1
	Nom.	12A	At 12V and +70°C ambient temperature, see Fig. 17-1
	Nom.	12.8A	At 15V and up to +60°C ambient temperature, see Fig. 6-1
	Nom.	9.6A	At 15V and +70°C ambient temperature, see Fig. 17-1
	Derate linearly between +60°C and +70°C, see chapter 17		
PowerBoost <sup>1)</sup>	Nom.	19.2A	At 12V and up to +45°C ambient temperature, see Fig. 17-1
	Nom.	15.4A	At 15V and up to +45°C ambient temperature, see Fig. 17-1
	PowerBoost decreases linearly to nominal power between +45°C between +60°C, see chapter 17		
Fuse breaking current	Typ.	48A	For minimal 12ms once every five seconds, see Fig. 6-2. The output voltage stays above 10V. See chapter 25.1 for more peak current measurements. For AC 100V mains, the pulse length is shorter than 12ms.
Overload behaviour	Continuous current		Output voltage above 6.5Vdc, see Fig. 6-1
	Hiccup <sup>PLUS</sup> mode <sup>2)</sup>		Output voltage below 6.5Vdc, see Fig. 6-1
Short-circuit current	Min.	20.5A <sup>3)</sup>	Load impedance <30mOhm, see Fig. 6-3
	Max.	25.5A <sup>3)</sup>	Load impedance <30mOhm, see Fig. 6-3
	Max.	7.3A	Average (R.M.S.) current, load impedance 50mOhm, see Fig. 6-3
	Min.	50A	Up to 12ms, load impedance <30mOhm, see Fig. 6-2
	Typ.	55A	Up to 12ms, load impedance <30mOhm, see Fig. 6-2
Output capacitance	Typ.	5 350µF	Included inside the power supply

**1) PowerBoost**

This power/ current is continuously allowed up to an ambient temperature of +45°C.

Above +45°C, do not use this power/ current longer than a duty cycle of 10% and/ or not longer than 1 minute every 10 minutes.

**2) Hiccup<sup>PLUS</sup> Mode**

At heavy overloads (when output voltage falls below 6.5V), the power supply delivers continuous output current for 2s. After this, the output is switched off for approx. 18s before a new start attempt is automatically performed. This cycle is repeated as long as the overload exists. If the overload has been cleared, the device will operate normally. See Fig. 6-3

**3) Discharge current of output capacitors is not included.**



Fig. 6-1 Output voltage vs. output current, typ.

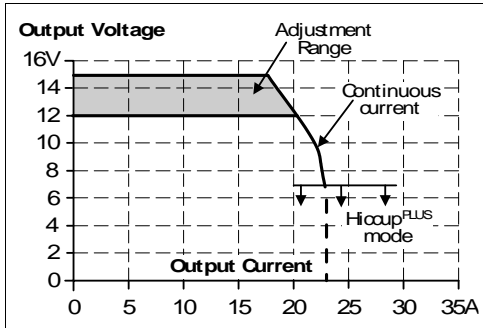


Fig. 6-2 Dynamic output current capability, typ.

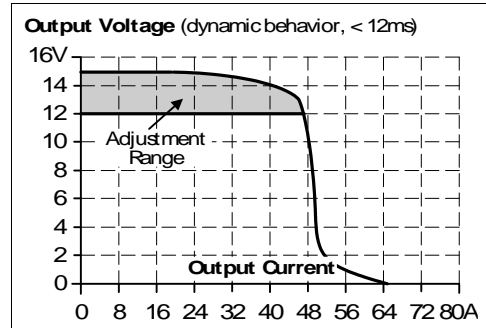
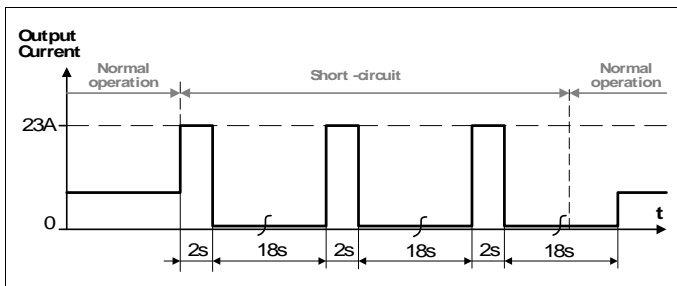


Fig. 6-3 Short-circuit on output, Hiccup<sup>PLUS</sup> mode, typ.



## 7. HOLD-UP TIME

		AC 100V	AC 120V	AC 230V	
Hold-up Time	Typ.	108ms	108ms	108ms	At 12V, 8A, see Fig. 7-1
	Min.	81ms	81ms	81ms	At 12V, 8A, see Fig. 7-1
	Typ.	50ms	50ms	50ms	At 12V, 16A, see Fig. 7-1
	Min.	38ms	38ms	38ms	At 12V, 16A, see Fig. 7-1

Fig. 7-1 Hold-up time vs. input voltage

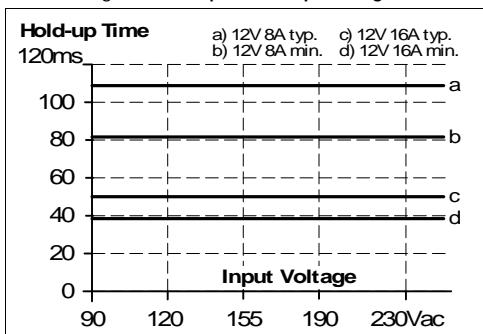
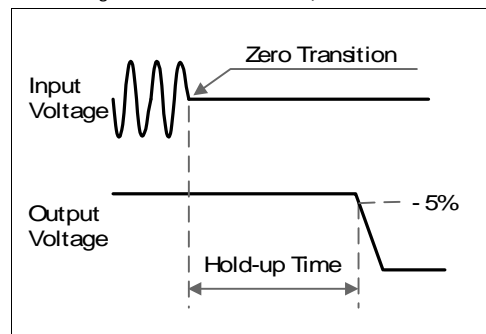


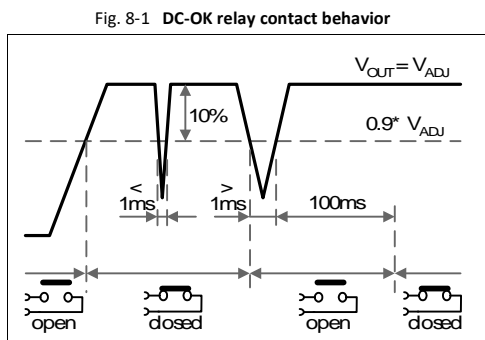
Fig. 7-2 Shut-down behavior, definitions



### 8. DC-OK RELAY CONTACT

This feature monitors the output voltage on the output terminals of a running power supply.

Contact closes	As soon as the output voltage reaches typ. 90% of the adjusted output voltage level.
Contact opens	As soon as the output voltage dips more than 10% below the adjusted output voltage. Short dips will be extended to a signal length of 100ms. Dips shorter than 1ms will be ignored.
Switching hysteresis	Typ. 0.5V
Contact ratings	Maximal 60Vdc 0.3A, 30Vdc 1A, 30Vac 0.5A, resistive load Minimal permissible load 1mA at 5Vdc
Isolation voltage	See dielectric strength table in chapter 18.



### 9. REMOTE ON / OFF FUNCTION

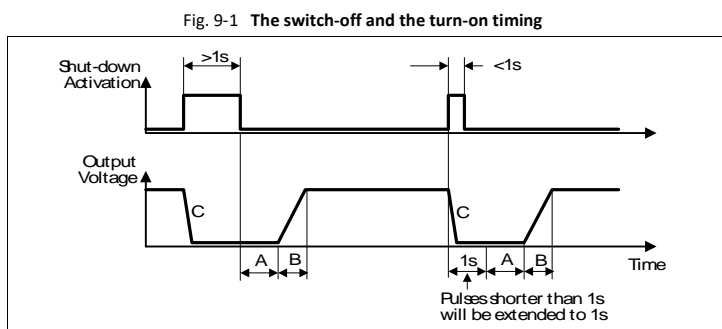
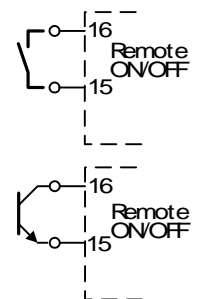
This feature allows to switch-off the power supply output with a signal switch or transistor. A link between pin 15 and 16 turns the power supply off. Pin 15 is referenced to the (-) output voltage.

The open-loop voltage between pin 16 and pin 15 can be up to 18V, the maximum current, when in remote OFF mode, can be up to 2.5mA.

The threshold level to switch-off the output is typically 5V and the turn-on threshold is typically 9V.

When multiple power supplies are connected in parallel, pin 15 and pin 16 are also allowed to be paralleled to control all units with the same switch or transistor.

Please note: The shut-down function has no safety feature included.



- A: Turn-on delay acc. Fig. 3-2
- B: Rise time acc. Fig. 3-2
- C: No active discharge of the output after switch-off

### 10. EFFICIENCY AND POWER LOSSES

		AC 100V	AC 120V	AC 230V	
Efficiency	typ.	92.1%	92.8%	94.3%	At 12V, 16A
	typ.	92.0%	92.7%	94.2%	At 12V, 19.2A
Average efficiency*)	typ.	91.6%	92.2%	93.3%	At 25% at 4A, 25% at 8A, 25% at 12A. 25% at 16A
Power losses	typ.	0.5W**)	0.5W**)	0.6W**)	At Remote OFF
	typ.	3.1W	3.0W	2.5W	At 12V, 0A
	typ.	8.0W	7.8W	6.7W	At 12V, 8A
	typ.	16.5W	14.9W	11.6W	At 12V, 16A
	typ.	20.0W	18.1W	13.9W	At 12V, 19.2A

\*) The average efficiency is an assumption for a typical application where the power supply is loaded with 25% of the nominal load for 25% of the time, 50% of the nominal load for another 25% of the time, 75% of the nominal load for another 25% of the time and with 100% of the nominal load for the rest of the time.

\*\*) In OFF mode, the unit fulfills the EP requirements of the European Union.

Fig. 10-1 Efficiency vs. output current at 12V, typ.

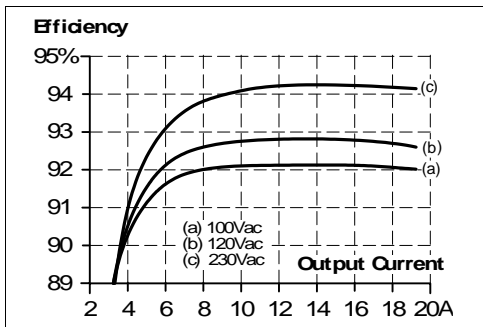


Fig. 10-2 Losses vs. output current at 12V, typ.

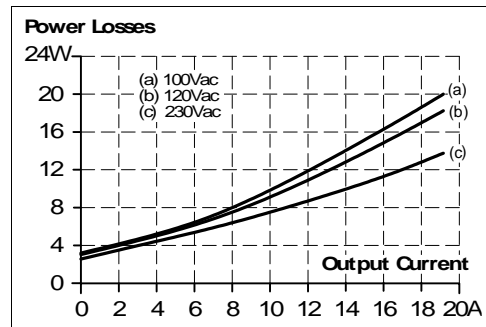


Fig. 10-3 Efficiency vs. input voltage at 12V, 16A, typ.

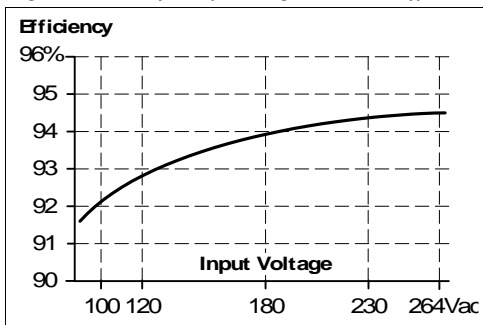
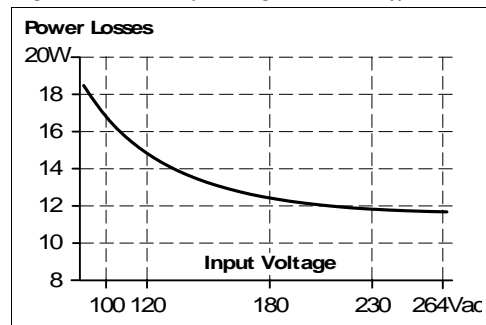


Fig. 10-4 Losses vs. input voltage at 12V, 16A, typ.



### 11. LIFETIME EXPECTANCY

The Lifetime expectancy shown in the table indicates the minimum operating hours (service life) and is determined by the lifetime expectancy of the built-in electrolytic capacitors. Lifetime expectancy is specified in operational hours and is calculated according to the capacitor's manufacturer specification. The manufacturer of the electrolytic capacitors only guarantees a maximum life of up to 15 years (131 400h). Any number exceeding this value is a calculated theoretical lifetime which can be used to compare devices.

	AC 100V	AC 120V	AC 230V	
Lifetime expectancy	155 000h	176 000h	189 000h	At 12V, 8A and 40°C
	437 000h	499 000h	534 000h	At 12V, 8A and 25°C
	66 000h	75 000h	97 000h	At 12V, 16A and 40°C
	188 000h	213 000h	275 000h	At 12V, 16A and 25°C
	33 000h	40 000h	57 000h	At 12V, 19.2A and 40°C
	94 000h	112 000h	160 000h	At 12V, 19.2A and 25°C

### 12. MTBF

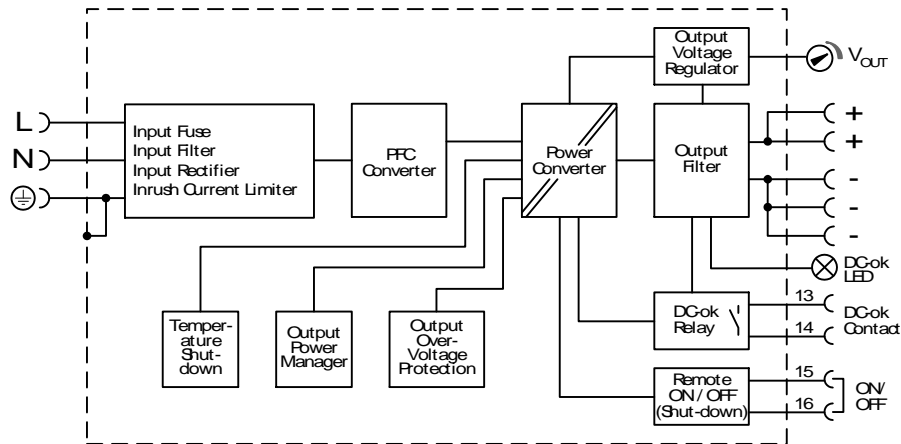
**MTBF** stands for **Mean Time Between Failure**, which is calculated according to statistical device failures, and indicates reliability of a device. It is the statistical representation of the likelihood of a unit to fail and does not necessarily represent the life of a product.

The MTBF figure is a statistical representation of the likelihood of a device to fail. A MTBF figure of e.g. 1 000 000h means that statistically one unit will fail every 100 hours if 10 000 units are installed in the field. However, it cannot be determined if the failed unit has been running for 50 000h or only for 100h.

	AC 100V	AC 120V	AC 230V	
MTBF SN 29500, IEC 61709	587 000h	607 000h	690 000h	At 12V, 16A and 40°C
	1 025 000h	1 056 000h	1 185 000h	At 12V, 16A and 25°C
MTBF MIL HDBK 217F	246 000h	249 000h	278 000h	At 12V, 16A and 40°C; Ground Benign GB40
	333 000h	337 000h	381 000h	At 12V, 16A and 25°C; Ground Benign GB25
	55 000h	55 000h	64 000h	At 12V, 16A and 40°C; Ground Fixed GF40
	70 000h	71 000h	83 000h	At 12V, 16A and 25°C; Ground Fixed GF25

### 13. FUNCTIONAL DIAGRAM

Fig. 13-1 Functional diagram



### 14. TERMINALS AND WIRING

The terminals are IP20 finger safe constructed and suitable for field- and factory wiring.

	Input and output	DC-OK-Signal, Shut-down input
<b>Type</b>	Screw terminals	Push-in terminals
Solid wire	Max. 6mm <sup>2</sup>	Max. 1.5mm <sup>2</sup>
Stranded wire	Max. 4mm <sup>2</sup>	Max. 1.5mm <sup>2</sup>
American Wire Gauge	AWG 20-10	AWG 24-16
Wire diameter	Max. 2.8mm (including ferrules)	Max. 1.6mm (including ferrules)
Wire stripping length	7mm	7mm
Screwdriver	3.5mm slotted or cross-head No 2	3. mm slotted to open the spring
Recommended tightening torque	1Nm	-

**Instructions:**

- a) Use appropriate copper cables that are designed for minimum operating temperatures of:
  - 60°C for ambient up to 45°C and
  - 75°C for ambient up to 60°C minimum
  - 90°C for ambient up to 70°C minimum.
- b) Follow national installation codes and installation regulations!
- c) Ensure that all strands of a stranded wire enter the terminal connection!
- d) Unused terminal compartments should be securely tightened.
- e) Ferrules are allowed.

**Daisy chaining:**

Daisy chaining (jumping from one power supply output to the next) is allowed as long as the average output current through one terminal pin does not exceed 25A. If the current is higher, use a separate distribution terminal block as shown in Fig. 14-2.

Fig. 14-1 Daisy chaining of outputs

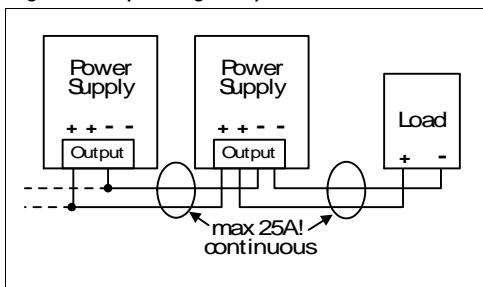
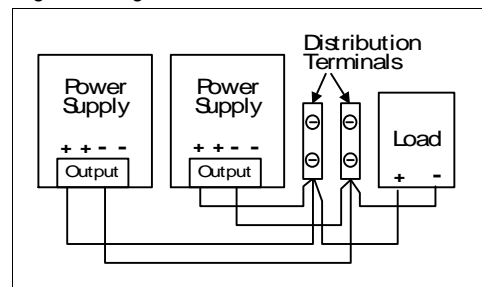


Fig. 14-2 Using distribution terminals



### 15. FRONT SIDE AND USER ELEMENTS

Fig. 15-1  
Front side CP10.121



Fig. 15-2  
Front side CP10.122



- A Input Terminals** (screw terminal)
  - N, L Line input
  - ⊕ PE (Protective Earth) input
- B Output Terminals** (screw terminal, two identical + poles and three identical - poles)
  - + Positive output
  - Negative (return) output
- C Output voltage potentiometer**  
Open the flap to adjust the output voltage. Factory set: 12.0V
- D DC-OK LED** (green)  
On, when the output voltage is >90% of the adjusted output voltage
- E DC-OK Relay Contact** (quick-connect spring-clamp terminals)  
Monitors the output voltage of the running power supply. See chapter 8 for details.
- F Remote ON/OFF Input** (quick-connect spring-clamp terminals)  
Pin 15 and 16 must be connected to turn the power supply off. See chapter 9 for details.

### 16. EMC

The power supply is suitable for applications in industrial environments as well as in residential, commercial and light industry environments.

<b>EMC Immunity</b>	According to generic standards: EN 61000-6-1 and EN 61000-6-2			
Electrostatic discharge	EN 61000-4-2	Contact discharge	8kV	Criterion A
		Air discharge	15kV	Criterion A
Electromagnetic RF field	EN 61000-4-3	80MHz-2.7GHz	20V/m	Criterion A
Fast transients (Burst)	EN 61000-4-4	Input lines	4kV	Criterion A
		Output lines	2kV	Criterion A
		DC-OK signal (coupling clamp)	2kV	Criterion A
		Shut-down input	2kV	Criterion A
Surge voltage on input	EN 61000-4-5	L → N	2kV	Criterion A
		L → PE, N → PE	4kV	Criterion A
Surge voltage on output	EN 61000-4-5	+ → -	1kV	Criterion A
		+ / - → PE	2kV	Criterion A
Surge voltage on Signals	EN 61000-4-5	DC-OK signal → PE	1kV	Criterion A
		Shut-down input → PE	1kV	Criterion A
Conducted disturbance	EN 61000-4-6	0.15-80MHz	20V	Criterion A
Mains voltage dips	EN 61000-4-11	0% of 100Vac	0Vac, 20ms	Criterion A
		40% of 100Vac	40Vac, 200ms	Criterion C
		70% of 100Vac	70Vac, 500ms	Criterion C
		0% of 200Vac	0Vac, 20ms	Criterion A
		40% of 200Vac	80Vac, 200ms	Criterion A
70% of 200Vac	140Vac, 500ms	Criterion A		
Voltage interruptions	EN 61000-4-11	0% of 200Vac (=0V)	5000ms	Criterion C
Voltage sags	SEMI F47	Dips on the input voltage according to SEMI F47 standard		
		80% of 120Vac (96Vac)	1000ms	Criterion A
		70% of 120Vac (84Vac)	500ms	Criterion A
		50% of 120Vac (60Vac)	200ms	Criterion A
Powerful transients	VDE 0160	Over entire load range	750V, 0.3ms	Criterion A

**Criteria:**

- A: Power supply shows normal operation behavior within the defined limits.
- C: Temporary loss of function is possible. Power supply may shut-down and restarts by itself. No damage or hazards for the power supply will occur.

<b>EMC Emission</b>	According to generic standards: EN 61000-6-3 and EN 61000-6-4		
Conducted emission input lines	EN 55011, EN 55015, EN 55032, FCC Part 15, CISPR 11, CISPR 22	Class B	
Conducted emission output lines <sup>2)</sup>	IEC/CISPR 16-1-2, IEC/CISPR 16-2-1	Limits for DC power port according EN 61000-6-3 fulfilled	
Radiated emission	EN 55011, EN 55032	Class B	
Harmonic input current	EN 61000-3-2	Class A fulfilled between 0A and 19.2A load	
		Class C fulfilled between 10A and 19.2A load	
Voltage fluctuations, flicker	EN 61000-3-3	Fulfilled <sup>1)</sup>	

This device complies with FCC Part 15 rules.

Operation is subjected to following two conditions: (1) this device may not cause harmful interference, and (2) this device must accept any interference received, including interference that may cause undesired operation.

- 1) Tested with constant current loads, non pulsing
- 2) For information only, not mandatory for EN 61000-6-3



### Switching Frequencies

PFC converter	110kHz	Fixed frequency
Main converter	84kHz to 140kHz	Output load dependent
Auxiliary converter	60kHz	Fixed frequency

## 17. ENVIRONMENT

Operational temperature <sup>1)</sup>	-25°C to +70°C	Reduce output power according to Fig. 17-1
Storage temperature	-40°C to +85°C	For storage and transportation
Output derating	4.8W/K	Between +60°C and +70°C
Humidity	5 to 95% r.h.	According to IEC 60068-2-30 Do not energize while condensation is present
Vibration sinusoidal <sup>2)</sup>	2-17.8Hz: ±1.6mm; 17.8-500Hz: 2g 2 hours / axis	According to IEC 60068-2-6
Shock <sup>2)</sup>	30g 6ms, 20g 11ms 3 bumps / direction, 18 bumps in total	According to IEC 60068-2-27
Altitude	0 to 2000m 2000 to 6000m	Without any restrictions Reduce output power or ambient temperature, see Fig. 17-2.
Altitude derating	13.5W/1000m or 5K/1000m	For altitudes >2000m, see Fig. 17-2
Over-voltage category	III II	According to IEC 62477-1 for altitudes up to 2000m According to IEC 62477-1 for altitudes from 2000m to 6000m
Degree of pollution	2	According to IEC 62477-1, not conductive
Audible noise	Some audible noise may be emitted from the power supply during no load, overload or short circuit.	

- 1) Operational temperature is the same as the ambient or surrounding temperature and is defined as the air temperature 2cm below the unit.  
 2) Tested in combination with DIN rails according to EN 60715 with a height of 15mm and a thickness of 1.3mm and standard orientation.

Fig. 17-1 Output current vs. ambient temp.  
(Inom 16A; Iout with PowerBoost = 19.2A)

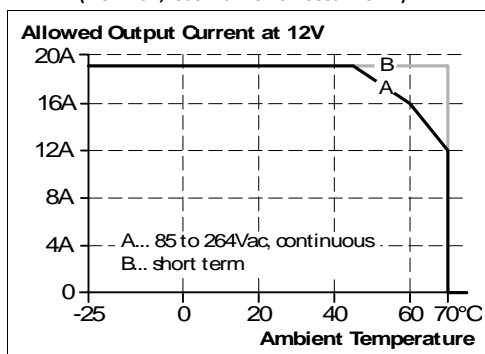
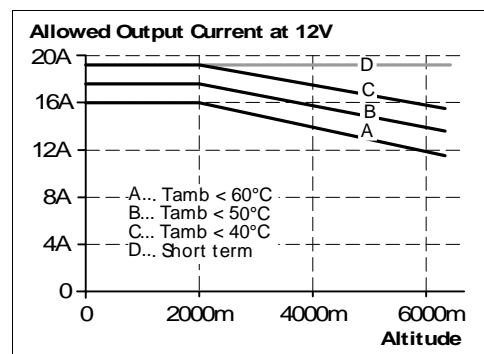


Fig. 17-2 Output current vs. altitude



### 18. PROTECTION FEATURES

Output protection	Electronically protected against overload, no-load and short-circuits. In case of a protection event, audible noise may occur.	
Output over-voltage protection	Typ. 18.2Vdc Max. 19Vdc	In case of an internal power supply defect, a redundant circuit limits the maximum output voltage. The output shuts down and automatically attempts to restart.
Degree of protection	IP 20	EN/IEC 60529
Penetration protection	> 4mm	E.g. screws, small parts
Over-temperature protection	Yes	Output shut-down with automatic restart. The temperature sensor is installed on critical components inside the unit and turns the unit off in safety critical situations (e.g. derating requirements not observed, high ambient temperature, ventilation obstructed or the mounting orientation derating is not followed). There is no correlation between the operating temperature and turn-off temperature since this is dependent on input voltage, load and installation methods.
Input transient protection	MOV (Metal Oxide Varistor)	For protection values see chapter 16 (EMC).
Internal input fuse	Included	Not user replaceable slow-blow high-braking capacity fuse

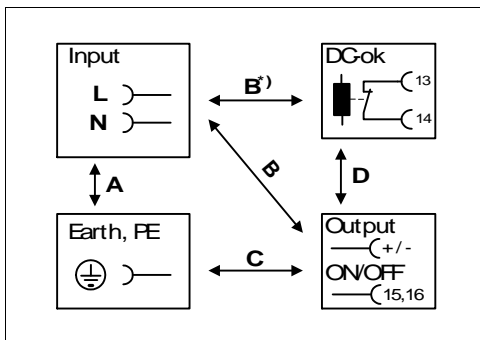
### 19. SAFETY FEATURES

Input / output separation	Double or reinforced galvanic isolation	
	SELV	IEC/EN 60950-1
	PELV	IEC/EN 60204-1, EN 50178, IEC 62103, IEC 60364-4-41
Class of protection	I	PE (Protective Earth) connection required
Isolation resistance	> 500MΩ	At delivered condition between input and output, measured with 500Vdc
	> 500MΩ	At delivered condition between input and PE, measured with 500Vdc
	> 500MΩ	At delivered condition between output and PE, measured with 500Vdc
	> 500MΩ	At delivered condition between output and DC-OK contacts, measured with 500Vdc
PE resistance	< 0.1Ω	Resistance between PE terminal and the housing in the area of the DIN rail mounting bracket.
Touch current (leakage current)	Typ. 0.14mA / 0.36mA	At 100Vac, 50Hz, TN-,TT-mains / IT-mains
	Typ. 0.20mA / 0.50mA	At 120Vac, 60Hz, TN-,TT-mains / IT-mains
	Typ. 0.33mA / 0.86mA	At 230Vac, 50Hz, TN-,TT-mains / IT-mains
	Max. 0.18mA / 0.43mA	At 110Vac, 50Hz, TN-,TT-mains / IT-mains
	Max. 0.26mA / 0.61mA	At 132Vac, 60Hz, TN-,TT-mains / IT-mains
	Max. 0.44mA / 1.05mA	At 264Vac, 50Hz, TN-,TT-mains / IT-mains

### 20. DIELECTRIC STRENGTH

The output voltage is floating and has no ohmic connection to the ground. Type and factory tests are conducted by the manufacturer. Field tests may be conducted in the field using the appropriate test equipment which applies the voltage with a slow ramp (2s up and 2s down). Connect all input-terminals together as well as all output poles before conducting the test. When testing, set the cut-off current settings to the value in the table below.

Fig. 20-1 Dielectric strength



		A	B	C	D
Type test	60s	2500Vac	4000Vac	1000Vac	500Vac
Factory test	5s	2500Vac	2500Vac	500Vac	500Vac
Field test	5s	2000Vac	2000Vac	500Vac	500Vac
Cut-off current setting		> 10mA	> 10mA	> 20mA	> 1mA

To fulfil the PELV requirements according to EN60204-1 § 6.4.1, we recommend that either the + pole, the – pole or any other part of the output circuit shall be connected to the protective earth system. This helps to avoid situations in which a load starts unexpectedly or can not be switched off when unnoticed earth faults occur.

B\*) When testing input to DC-OK ensure that the max. voltage between DC-OK and the output is not exceeded (column D). We recommend connecting DC-OK pins and the output pins together when performing the test.

### 21. APPROVED, FULFILLED OR TESTED STANDARDS

UL 508		<p>UL Certificate Listed equipment for category NMTR - Industrial Control Equipment Applicable for US and Canada E-File: E198865</p>
UL 61010-2-201		<p>UL Certificate Listed equipment for category NMTR - Electrical Equipment for Measurement, Control and Laboratory Use - Particular requirements for control equipment Applicable for US and Canada E-File: E198865</p>
IEC 61010-2-201		<p>Manufacturer's Declaration Electrical Equipment for Measurement, Control and Laboratory Use - Particular requirements for control equipment</p>
IEC 62368-1	<b>CB Report</b>	<p>CB Scheme Certificate IEC 62368-1 Audio/video, information and communication technology equipment - Safety requirements Output safety level: ES1</p>
IEC 60950-1 (CP10.121)	<b>CB Report</b>	<p>CB Scheme Certificate General safety requirements for Information Technology Equipment (ITE)</p>
UL 60950-1 (CP10.121)		<p>UL Certificate Recognized component for category QQQQ - Information Technology Equipment (ITE) Applicable for US and Canada E-File: E137006</p>
ATEX (CP10.121)		<p>Agency Certificate (Bureau Veritas) EN 60079-0 Explosive atmospheres - General requirements EN 60079-7, EN 60079-15 Equipment protection by type of protection "e" and "n" Certificate: EPS 15 ATEX 1 101 X Temperature Code: T4 Type of Protection: ec nC</p>
IECEX (CP10.121)	<b>IECEX</b>	<p>IECEX Certificate IEC 60079-0 Explosive atmospheres - General requirements IEC 60079-7, IEC 60079-15 Equipment protection by type of protection "e" and "n" Certificate: IECEX EPS 15.0079X Temperature Code: T4 Type of Protection: ec nC</p>
Class I Div 2 (CP10.121)		<p>CSA Certificate Power Supplies for Hazardous Location Applicable for Canada and US CSA Class: 5318-01 (Canada), 5318-81 (USA) Temperature Code: T4 Groups: A, B, C and D</p>

Marine (DNV)  
(CP10.121)



DNV Certificate  
DNV Type approved product  
Certificate: TAA00002YX  
Temperature: Class D  
Humidity: Class B  
Vibration: Class C  
EMC: Class A  
Enclosure: Class A

Marine (ABS)  
(CP10.121)



ABS Design Assessment Certificate  
ABS (American Bureau of Shipment) assessed product  
Certificate: 17-HG1599236-PDA

IEC 60068-2-60  
(CP10.121)



Manufacturer's Declaration (Online Document)  
Environmental Tests, Flowing Mixed Gas Corrosion Test  
IEC 60068-2-60 Method 4  
Test Ke - Method 4  
H2S: 10ppb  
NO2: 200ppb  
Cl2: 10ppb  
SO2: 200ppb  
Test Duration: 3 weeks, this simulates a service life of 10 years.

ISA-71.04 G3  
(CP10.121)



Manufacturer's Declaration (Online Document)  
Airborne Contaminants Corrosion Test  
ISA-71.04 G3  
Severity Level: G3 Harsh  
H2S: 100ppb  
NOx: 1250ppb  
Cl2: 20ppb  
SO2: 300ppb  
Test Duration: 3 weeks, this simulates a service life of 10 years.

Labs



Paint Wetting Impairment Substances Test (or LABS-Test)  
Tested for Zone 2 and test class C1 according to VDMA 24364-C1-L/W for solvents and water-based paints

## 22. REGULATORY PRODUCT COMPLIANCE

EU Declaration of Conformity



The CE mark indicates conformance with the

- EMC directive
- ATEX directive
- RoHS directive

WEEE Regulation



Manufacturer's Declaration

EU Regulation on Waste Electrical and Electronic Equipment  
Registered as business to business (B2B) products.  
EU Regulation 2012/19/EU

REACH Regulation (EU)



Manufacturer's Declaration

EU regulation regarding the Registration, Evaluation, Authorisation and Restriction of Chemicals (REACH) fulfilled.  
EU Regulation (EC) 1907/2006.

UKCA  
(CP10.121)



UKCA Declaration of Conformity

Trade conformity assessment for England, Scotland and Wales  
The UKCA mark indicates conformity with the UK Statutory Instruments  
2016 No.1101,  
2016 No.1091,  
2012 No.3032

CCC  
(CP10.121)



CCC Certificate

China Compulsory Certification (CNCA-C23-01:2019)  
Certificate for devices made in Suzhou/China (PULS Electronics):  
2021122303114443  
Certificate for devices made in Chomutov/Czech Republic (PULS investiční): 2021122303114444  
CCC-Ex

KC



KC Korean Certification

Korean - Registration of Broadcasting and Communication Equipment  
Registered under Clause3, Article 58-2 of Radio Waves Act.  
Registration No. R-R-PUG-CP10\_121

### 23. PHYSICAL DIMENSIONS AND WEIGHT

Width	39mm
Height	124mm
Depth	117mm
	The DIN rail depth must be added to the unit depth to calculate the total required installation depth.
Weight	600g
DIN rail	Use 35mm DIN rails according to EN 60715 or EN 50022 with a height of 7.5 or 15mm.
Housing material	Body: Aluminium alloy Cover: Zinc-plated steel
Installation clearances	See chapter 2

Fig. 23-1 Front view

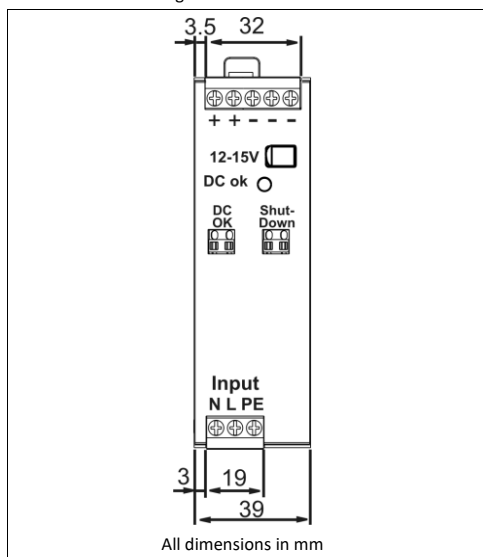
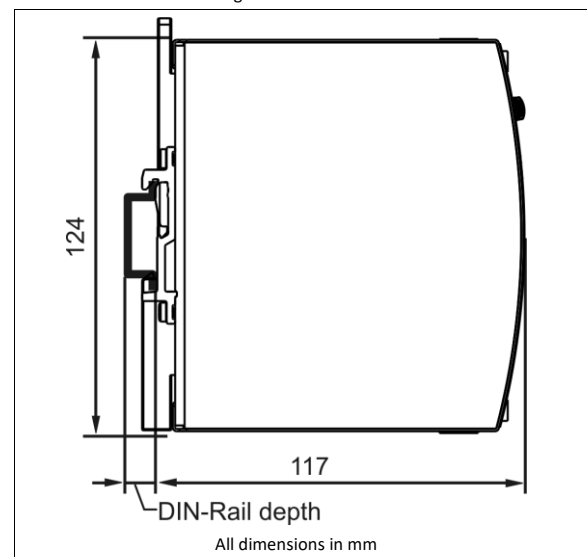


Fig. 23-2 Side view



### 24. ACCESSORIES

#### 24.1. ZM10.WALL - WALL/PANEL MOUNT BRACKET

This bracket is used to mount the devices on a wall/panel without utilizing the DIN rail. The bracket can be mounted without detaching the DIN rail brackets from the power supply. PSU for illustration purpose only.

Fig. 24-1 Isometric view

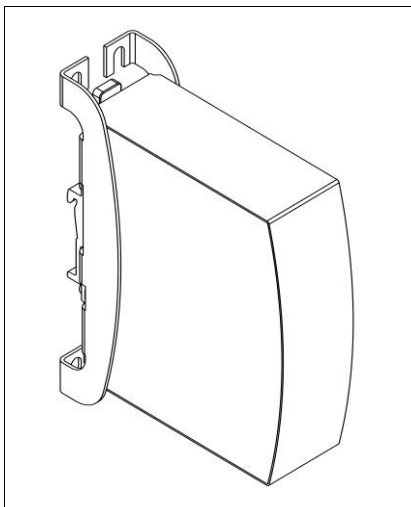


Fig. 24-2 Isometric view

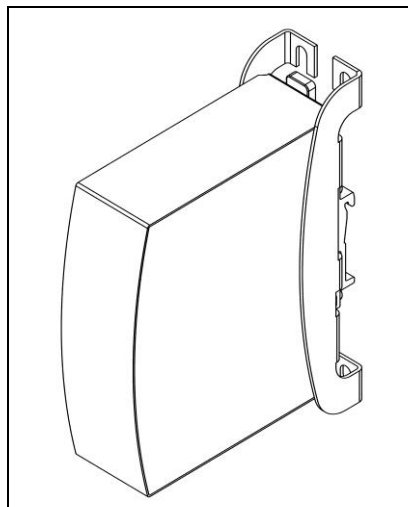


Fig. 24-3 Isometric view

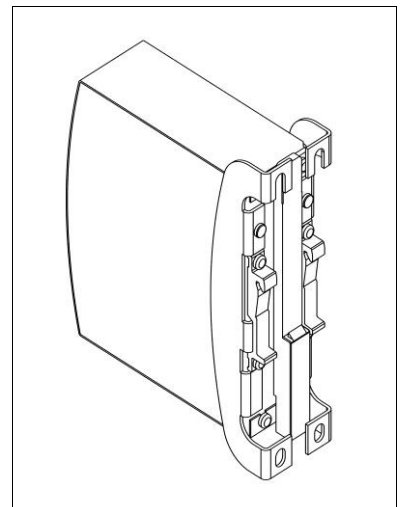


Fig. 24-4 Wall/panel mounting, front view

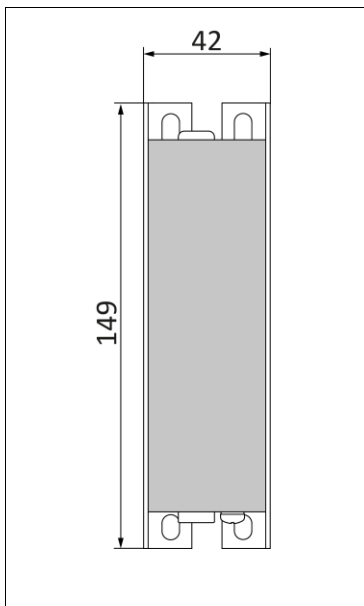


Fig. 24-5 Hole pattern for wall mounting

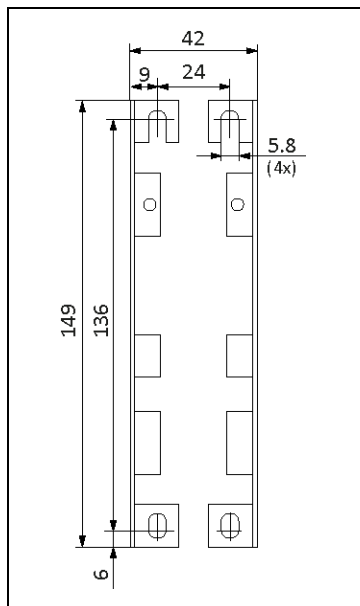
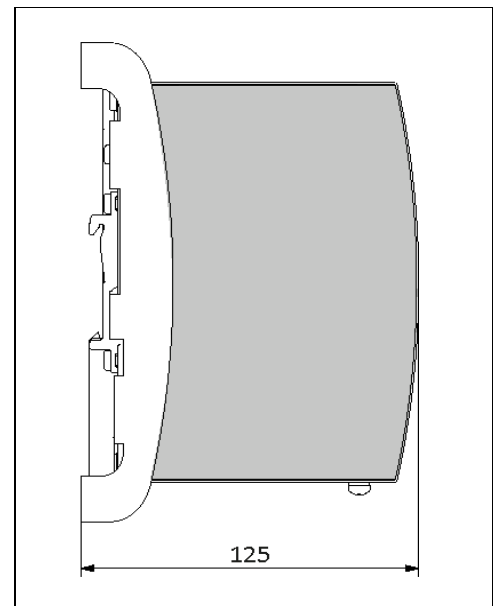


Fig. 24-6 Wall/panel mounting, side view

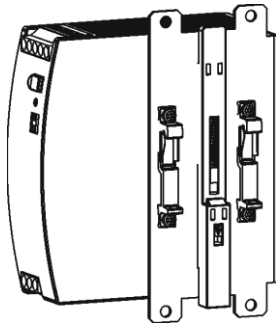




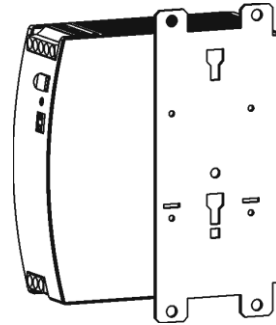
### 24.2. ZM12.SIDE - SIDE MOUNTING BRACKET

This bracket is used to mount DIMENSION units sideways with or without utilizing a DIN rail. The two aluminum brackets and the black plastic slider of the unit have to be detached, so that the steel brackets can be mounted.

For sideways DIN rail mounting, the removed aluminum brackets and the black plastic slider need to be mounted on the steel bracket.



Side mounting with DIN rail brackets



Side mounting without DIN rail brackets

### 24.3. YR40.242 - REDUNDANCY MODULE



The YR40.242 redundancy module is equipped with two input channels, which are individually decoupled by utilizing MOSFET technology. Using MOSFETs instead of diodes reduces the heat generation and the voltage drop between input and output.

The YR40.242 does not require an additional auxiliary voltage and is self-powered even in case of a short circuit across the output.

Due to the low power losses, the unit is very slender and only requires 36mm width on the DIN rail.

### 25. APPLICATION NOTES

#### 25.1. PEAK CURRENT CAPABILITY

The unit can deliver peak currents (up to several milliseconds) which are higher than the specified short term currents.

This helps to start current demanding loads. Solenoids, contactors and pneumatic modules often have a steady state coil and a pick-up coil. The inrush current demand of the pick-up coil is several times higher than the steady-state current and usually exceeds the nominal output current (including the PowerBoost). The same situation applies when starting a capacitive load.

The peak current capability also ensures the safe operation of subsequent circuit breakers of load circuits. The load branches are often individually protected with circuit breakers or fuses. In case of a short or an overload in one branch circuit, the fuse or circuit breaker need a certain amount of over-current to open in a timely manner. This avoids voltage loss in adjacent circuits.

The extra current (peak current) is supplied by the power converter and the built-in large sized output capacitors of the power supply. The capacitors get discharged during such an event, which causes a voltage dip on the output.

The following examples show typical voltage dips for resistive loads:

Fig. 25-1 32A peak current for 50ms , typ.  
(2x the nominal current)

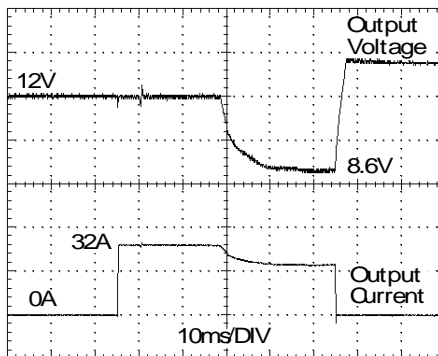


Fig. 25-2 80A peak current for 5ms , typ.  
(5x the nominal current)

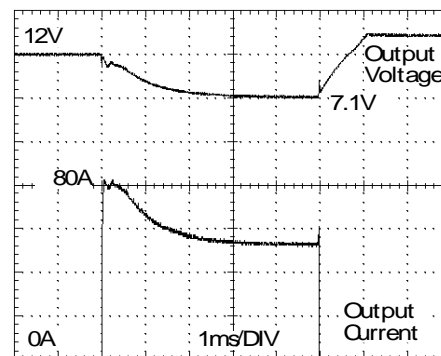
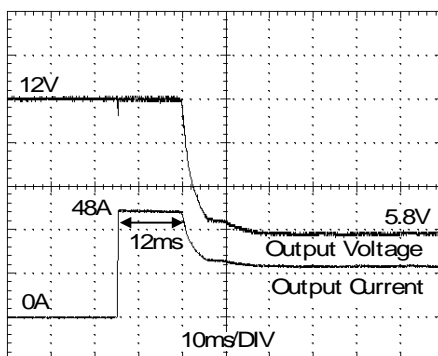


Fig. 25-3 48A peak current for 12ms , typ.  
(3x the nominal current)



Please note: The DC-OK relay triggers when the voltage dips more than 10% for longer than 1ms.

Peak current voltage dips	Typically from 12V to 8.6V at 32A for 50ms with resistive load
	Typically from 12V to 7.4V at 80A for 2ms with resistive load
	Typically from 12V to 7.1V at 80A for 5ms with resistive load

### 25.2. BACK-FEEDING LOADS

Loads such as decelerating motors and inductors can feed voltage back to the power supply. This feature is also called return voltage immunity or resistance against Back- E.M.F. (Electro Magnetic Force).

This power supply is resistant and does not show malfunctioning when a load feeds back voltage to the power supply. It does not matter whether the power supply is on or off.

The maximum allowed feed-back-voltage is 25Vdc. The maximum allowed feed-back peak current is 64A. Higher currents can temporarily shut-down the output voltage. The absorbing energy can be calculated according to the built-in large sized output capacitor which is specified in chapter 6.

### 25.3. EXTERNAL INPUT PROTECTION

The unit is tested and approved for branch circuits up to 30A (UL) and 32A (IEC). An external protection is only required if the supplying branch has an ampacity greater than this. Check also local codes and local requirements. In some countries local regulations might apply.

If an external fuse is necessary or utilized, minimum requirements need to be considered to avoid nuisance tripping of the circuit breaker. A minimum value of 6A B- or C-Characteristic breaker should be used.

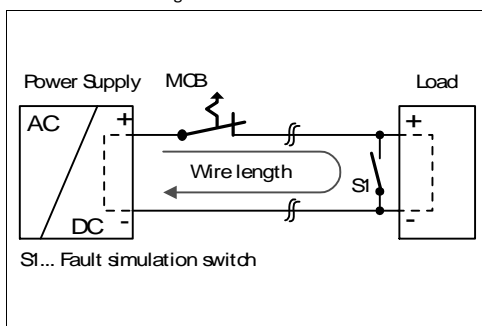
### 25.4. OUTPUT CIRCUIT BREAKERS

Standard miniature circuit breakers (MCB's or UL 1077 circuit breakers) are commonly used for AC-supply systems and may also be used on 12V branches.

MCB's are designed to protect wires and circuits. If the ampere value and the characteristics of the MCB are adapted to the wire size that is used, the wiring is considered as thermally safe regardless of whether the MCB opens or not.

To avoid voltage dips and under-voltage situations in adjacent 12V branches which are supplied by the same source, a fast (magnetic) tripping of the MCB is desired. A quick shutdown within 10ms is necessary corresponding roughly to the ride-through time of PLC's. This requires power supplies with high current reserves and large output capacitors. Furthermore, the impedance of the faulty branch must be sufficiently small in order for the current to actually flow. The best current reserve in the power supply does not help if Ohm's law does not permit current flow. The following table has typical test results showing which B- and C-Characteristic MCBs magnetically trip depending on the wire cross chapter and wire length.

Fig. 25-4 Test circuit



Maximal wire length<sup>\*)</sup> for a fast (magnetic) tripping:

	0.75mm <sup>2</sup>	1.0mm <sup>2</sup>	1.5mm <sup>2</sup>	2.5mm <sup>2</sup>
<b>C-2A</b>	11m	15m	22m	35m
<b>C-3A</b>	9m	13m	18m	23m
<b>C-4A</b>	5m	8m	12m	17m
<b>C-6A</b>	-	1m	2m	3m
<b>B-6A</b>	6m	11m	15m	23m
<b>B-10A</b>	2m	3m	3m	4m
<b>B-13A</b>	1m	2m	3m	4m

\*) Don't forget to consider twice the distance to the load (or cable length) when calculating the total wire length (+ and - wire).

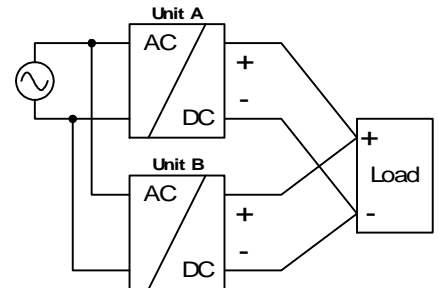
### 25.5. PARALLEL USE TO INCREASE OUTPUT POWER

Power supplies can be paralleled to increase the output power. The output voltage of all power supplies shall be adjusted to the same value ( $\pm 100\text{mV}$ ) with the same load conditions on all units, or the units can be left with the factory settings. There is no feature included which balances the load current between the power supplies. Usually the power supply with the higher adjusted output voltage draws current until it goes into current limitation. This means no harm to this power supply as long as the ambient temperature stays below  $40^\circ\text{C}$ .

If more than three units are connected in parallel, a fuse or circuit breaker with a rating of 25A or 32A is required on each output. Alternatively, a diode or redundancy module can also be utilized.

Energize all units at the same time to avoid the overload Hiccup<sup>PLUS</sup> mode. It also might be necessary to cycle the input power (turn-off for at least five seconds), if the output was in Hiccup<sup>PLUS</sup> mode due to overload or short circuits and the required output current is higher than the current of one unit.

Keep an installation clearance of 15mm (left / right) between two power supplies and avoid installing the power supplies on top of each other. Do not use power supplies in parallel in mounting orientations other than the standard mounting orientation (terminals on bottom of the unit) or in any other condition where a derating of the output current is required (e.g. altitude, ...). Pay attention that leakage current, EMI, inrush current, harmonics will increase when using multiple power supplies.



### 25.6. PARALLEL USE FOR REDUNDANCY

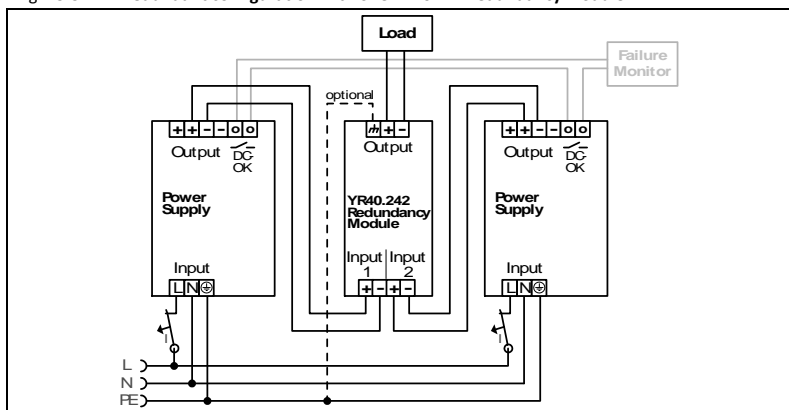
Power supplies can be paralleled for redundancy to gain higher system availability. Redundant systems require a certain amount of extra power to support the load in case one power supply unit fails. The simplest way is to put two decoupled power supplies in parallel. This is called a 1+1 redundancy. In case one power supply unit fails, the other one is automatically able to support the load current without any interruption. Redundant systems for a higher power demand are usually built in a N+1 method. E.g. five power supplies, each rated for 16A are paralleled to build a 64A redundant system. For N+1 redundancy the same rules apply as for increasing the output power, see also chapter 25.5.

**Please note:** Always use a redundancy module to decouple power supplies from each other. This prevents that the defective unit becomes a load for the other power supplies and the output voltage cannot be maintained any more.

Recommendations for building redundant power systems:

- Use separate input fuses for each power supply.
- Monitor the individual power supply units. Therefore, use the DC-OK relay contact of the CP10 power supply.
- It is desirable to set the output voltages of all units to the same value ( $\pm 100\text{mV}$ ) or leave it at the factory setting.

Fig. 25-5 1+1 redundant configuration with one YR40.242 redundancy module



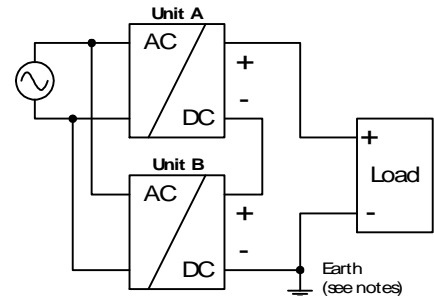
### 25.7. SERIES OPERATION

Power supplies of the same type can be connected in series for higher output voltages. It is possible to connect as many units in series as needed, providing the sum of the output voltage does not exceed 150Vdc. Voltages with a potential above 60Vdc are not SELV any more and can be dangerous. Such voltages must be installed with a protection against touching.

Avoid return voltage (e.g. from a decelerating motor or battery) which is applied to the output terminals.

Keep an installation clearance of 15mm (left / right) between two power supplies and avoid installing the power supplies on top of each other. Do not use power supplies in series in mounting orientations other than the standard mounting orientation (input terminals on bottom of the unit).

Pay attention that leakage current, EMI, inrush current, harmonics will increase when using multiple power supplies.



### 25.8. INDUCTIVE AND CAPACITIVE LOADS

The unit is designed to supply any kind of loads, including capacitive and inductive loads. If extreme large capacitors, such as EDLCs (electric double layer capacitors or "UltraCaps") with a capacitance larger than 5F are connected to the output, the unit might charge the capacitor in the Hiccup<sup>PLUS</sup> mode (see chapter 6).

### 25.9. CHARGING OF BATTERIES

The power supply can be used to charge lead-acid or maintenance free batteries (SLA or VRLA batteries).

#### Instructions for charging batteries:

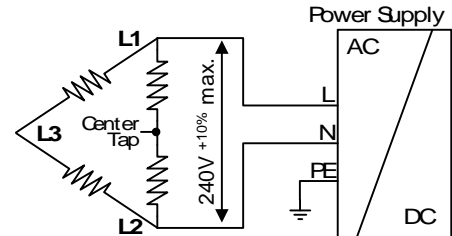
- a) Set output voltage (measured at no load and at the battery end of the cable) very precisely to the end-of-charge voltage.

End-of-charge voltage	13.9V	13.75V	13.6V	13.4V
Battery temperature	10°C	20°C	30°C	40°C

- b) Use a 25A circuit breaker (or blocking diode) between the power supply and the battery.  
 c) Ensure that the output current of the power supply is below the allowed charging current of the battery.  
 d) Ensure that the ambient temperature of the power supply stays below 40°C.  
 e) The return current to the power supply (battery discharge current) is typ. 2.6mA when the power supply is switched off (except in case a blocking diode is utilized).

### 25.10. OPERATION ON TWO PHASES

The power supply can also be used on two-phases of a three-phase-system. Such a phase-to-phase connection is allowed as long as the supplying voltage is below  $240V^{+10\%}$ .



### 25.11. USE IN A TIGHTLY SEALED ENCLOSURE

When the power supply is installed in a tightly sealed enclosure, the temperature inside the enclosure will be higher than outside. In such situations, the inside temperature defines the ambient temperature for the power supply.

The following measurement results can be used as a reference to estimate the temperature rise inside the enclosure.

The power supply is placed in the middle of the box, no other heat producing items are inside the box

The temperature sensor inside the box is placed in the middle of the right side of the power supply with a distance of 1cm.

	Case A	Case B	Case C	Case D
Enclosure size	<b>110x180x165mm</b> Rittal Typ IP66 Box PK 9516 100, plastic	<b>110x180x165mm</b> Rittal Typ IP66 Box PK 9516 100, plastic	<b>180x180x165mm</b> Rittal Typ IP66 Box PK 9519 100, plastic	<b>180x180x165mm</b> Rittal Typ IP66 Box PK 9519 100, plastic
Input voltage	230Vac	230Vac	230Vac	230Vac
Load	12V, 12.8A; (=80%)	12V, 16A; (=100%)	12V, 12.8A; (=80%)	12V, 16A; (=100%)
Temperature inside the box	47.4°C	56.3°C	46.2°C	53.4°C
Temperature outside the box	24.6°C	25.7°C	24.4°C	26.0°C
Temperature rise	22.8K	30.6K	21.8K	27.4K

### 25.12. MOUNTING ORIENTATIONS

Mounting orientations other than all terminals on the bottom require a reduction in continuous output power or a limitation in the maximum allowed ambient temperature. The amount of reduction influences the lifetime expectancy of the power supply. Therefore, two different derating curves for continuous operation can be found below:

**Curve A1** Recommended output current.

**Curve A2** Max allowed output current (results in approximately half the lifetime expectancy of A1).

Fig. 25-6  
Mounting  
Orientation A  
(Standard  
orientation)

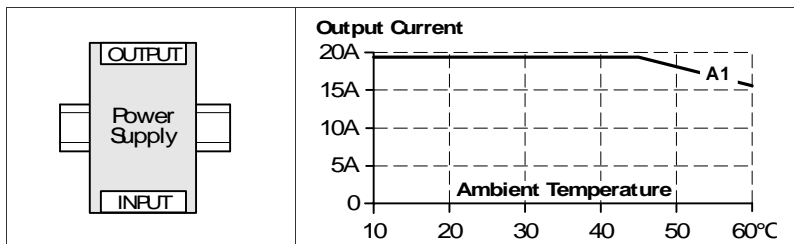


Fig. 25-7  
Mounting  
Orientation B  
(Upside down)

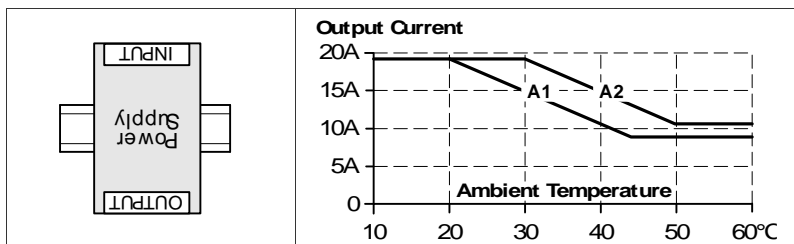


Fig. 25-8  
Mounting  
Orientation C  
(Table-top  
mounting)

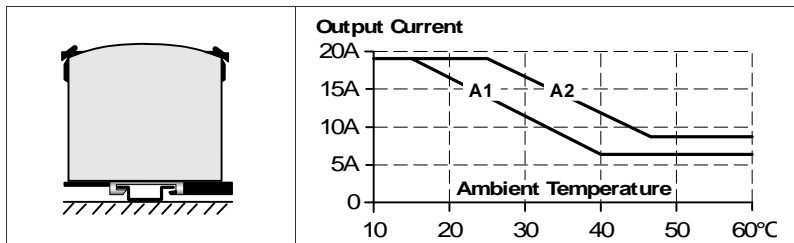


Fig. 25-9  
Mounting  
Orientation D  
(Horizontal cw)

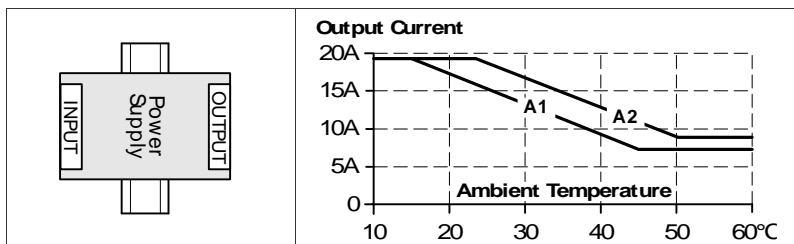
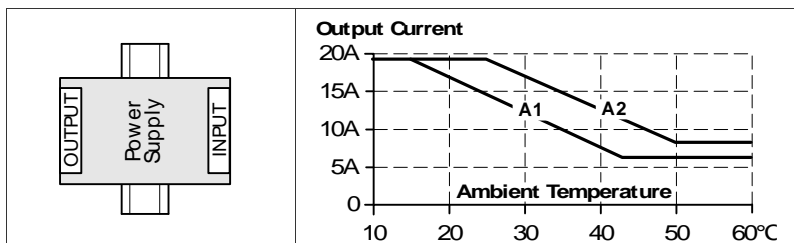


Fig. 25-10  
Mounting  
Orientation E  
(Horizontal ccw)



Jul. 2022 / Rev. 1.4 DS-CP10.121-EN All parameters are typical values specified at 230Vac, 50Hz input voltage, 12V 16A output, 25°C ambient temperature and after a 5 minutes run-in time unless otherwise noted.