

EN	ZM1.WALL Installation Manual
DE	ZM1.WALL Installationsanleitung
FR	ZM1.WALL Manuel d'installation
ES	ZM1.WALL Manual de instalación

Wall/Panel Mount Bracket
Wandmontageadapter
Kit de montage mural
Soporte de montaje en pared/panel

Doc. ID: PU-200.015.75-xxA (2019-01-10-MR1)

Product Description

The ZM1.WALL is a mechanical accessory to mount a device on a flat surface or panel without utilizing a DIN-rail.

The order number ZM1.WALL contains two brackets needed for one device.

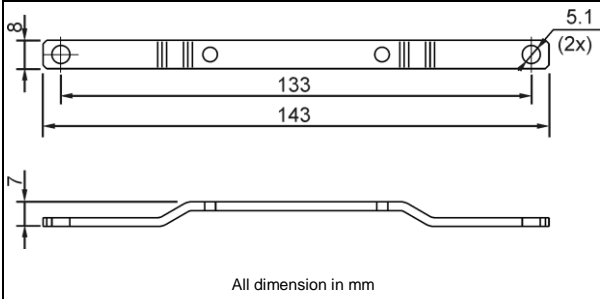
Intended Use

This mechanical accessory is designed for DIN-rail devices. Check the product datasheet of the DIN-rail device to confirm that it is suitable for the desired device.

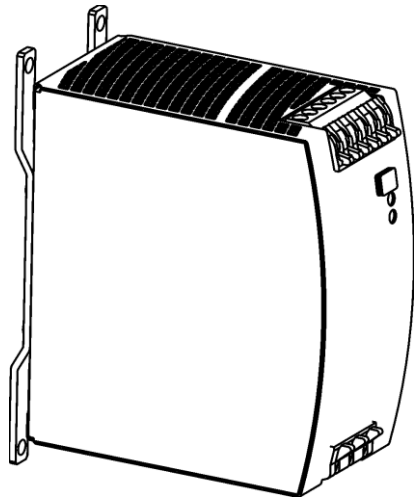
Technical Data

Size (width x height x depth)	8x143x7mm
Weight	50g / 0.11lb

Mechanical Dimensions



Mounting Example



Installation Instructions

- 1) Detach the two aluminium brackets by removing the four screws with a Torx 10 screwdriver.
- 2) Remove the plastic lock mechanism by using a flat-blade screwdriver to move the lock downwards while at the same time push the plastic slider upwards. Detach the plastic slider.
- 3) Mount the steel brackets with the same screws from the DIN-Rail brackets. Be careful not to over-tighten the screws! Recommended tightening torque is 0.6Nm/ 5.3lb.in.

WARNING - Risk of electrical shock, fire, personal injury or death.

Do not use other screws than the one from the DIN-Rail bracket. The unit might become unsafe when using longer screws as contact with live electrical circuits may occur.

Installation Instructions