



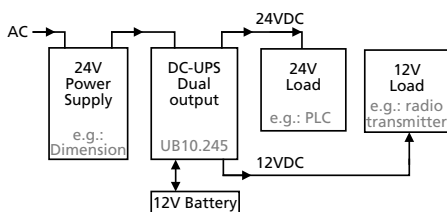
DC-UPS, DUAL OUTPUT

- 24V DC-UPS With an Additional 12V Output for Various Applications
- Only One 12V Battery Required
- Stable Output Voltage in Buffer Mode
- Superior Battery Management for Longest Battery Life
- Comprehensive Diagnostic and Monitoring Functions
- Replace Battery Signal Included
- Electronically Overload and Short Circuit Protected
- 50% Power Reserves
- 3 Year Warranty

PRODUCT DESCRIPTION

The UB10.245 uninterruptible power supply (UPS) controller along with a standard 24V power supply and one 12V battery can bridge power failures or voltage fluctuations. This unit can supply and bridge both a 24V load as well as a 12V load at the same time. The 12V is generated by a DC/DC converter from the 24V output. Therefore, systems that utilize 24V control circuits and require 12V for e.g. remote radio telemetry can be supplied with only one UB10.245 DC-UPS controller.

The DC-UPS includes a professional battery management system which charges and monitors the battery to achieve the longest battery service life as well as many diagnostic functions that ensure a reliable operation of the entire system.



SHORT-FORM DATA

Input voltage	24Vdc 22.5-30Vdc	Nominal Input range
Output voltage (normal mode)	0.23V lower as input voltage 12V	Typ., 24V output 12V output
Output voltage (buffer mode)	22.25V 12V	24V output at 10A 12V output at 5A
Output current (normal mode)	0 - 15A 0 - 5A	24V output 12V output
Output current (buffer mode)	0 - 10A 10 - 15A for 5s 0 - 5A	24V output 24V output 12V output
Total output power	360W 240W	Normal mode Buffer mode
Allowed batteries	3.9Ah to 40Ah	VRLA lead acid
Temperature range	-25 to +70°C	Operational
Derating	6W/°C	+50 to +70°C
Dimensions	49x124x117mm	WxHxD
Buffer time	typ. 6'30"	7Ah battery module 24V 7A, 12V 5A
	typ. 54'	26Ah module 24V 7A, 12V 5A

ORDER NUMBERS

DC-UPS	UB10.245	Standard controller
Accessory	UZK12.072	Battery module 12V 7Ah
	UZO12.072	Mounting kit w/o battery
	UZK12.261	Battery module 12V 26Ah
	UZO12.26	Mounting kit w/o battery
	ZM10.WALL	Panel/Wall mount bracket

MAIN APPROVALS

For details and the complete approval list, see chapter 19



UL 508



UL 60950-1



ATEX



IECEx



Class I Div 2



Class I Div 2

Aug. 2021 / Rev. 1.3 DS-UB10.245-EN

All parameters are specified at an input voltage of 24V, 10A output load, 25°C ambient and after a 5 minutes run-in time unless otherwise noted. It is assumed that the input power source can deliver a sufficient output current.

INDEX PAGE

1. Intended Use	3
2. Installation Instructions	3
3. Input	5
4. Output in Normal Mode	6
5. Output in Buffer Mode	7
6. Battery Input	9
7. Buffer Time	10
8. Efficiency and Power Losses	12
9. Functional Diagram	12
10. Check Wiring and Battery Quality Tests	13
11. Relay Contacts and Inhibit Input	14
12. Front Side User Elements	15
13. Terminals and Wiring	16
14. Reliability	17
15. EMC	18
16. Environment	19

INDEX PAGE

17. Protection Features	19
18. Safety Features	20
19. Approved, Fulfilled or Tested Standards	21
20. Regulatory Product Compliance	22
21. Used Substances	23
22. Physical Dimensions and Weight	23
23. Installation Notes	24
24. Accessories	25
24.1. Battery modules	25
24.2. ZM10.WALL - Wall mounting bracket	26
25. Application Notes	27
25.1. Battery Replacement Intervals	27
25.2. Parallel and Serial Use	28
25.3. Using the Inhibit Input	29
25.4. Troubleshooting	29

INTENDED USE

The unit shall only be installed and put into operation by qualified personnel.

This unit is designed for installation in an enclosure and is intended for general use, such as in industrial control, office, communication, and instrumentation equipment. Do not use this device in aircraft, trains and nuclear equipment, where malfunctioning of the power supply may cause severe personal injury or threaten human life.

TERMINOLOGY AND ABBREVIATIONS

DC-UPS	Uninterruptible power supply with DC-Input.
Normal mode	Describes a condition where the battery is charged, the input voltage is in range and the output is loaded within the allowed limits.
Buffer mode	Describes a condition where the input voltage is below the transfer threshold level, the unit is running on battery (buffering) and the output is loaded within the allowed limits.
Charging mode	Describes a condition where the battery is being charged, the input voltage is in range and the output is loaded within the allowed limits.
Inhibit mode	Describes a condition where buffering is disabled on purpose by using the inhibit input of the DC-UPS. (e.g. for service actions, or to save battery capacity)
Buffer time	Same as the term "hold-up time".
t.b.d.	To be defined, value or description will follow later.

DISCLAIMER

The information presented in this document is believed to be accurate and reliable and may change without notice. Some parts of this unit are patent by PULS (US patent No 091662,063, Des. 424,529, ...).

No part of this document may be reproduced or utilized in any form without permission in writing from the publisher.

1. INTENDED USE

This device is designed for installation in an enclosure and is intended for commercial use, such as in industrial control, process control, monitoring and measurement equipment or the like.
Do not use this device in equipment where malfunction may cause severe personal injury or threaten human life.

2. INSTALLATION INSTRUCTIONS



WARNING

Risk of electrical shock, fire, personal injury or death.

- Turn power off before working on the device and protect against inadvertent re-powering.
- Do not open, modify or repair the device.
- Use caution to prevent any foreign objects from entering into the housing.
- Do not use in wet locations or in areas where moisture or condensation can be expected.
- Do not touch during power-on, and immediately after power-off. Hot surface may cause burns.

Obey the following installation instructions:

This device may only be installed and put into operation by qualified personnel.

This device does not contain serviceable parts. The tripping of an internal fuse is caused by an internal defect.

If damage or malfunction should occur during installation or operation, immediately turn power off and send unit to the factory for inspection.

Turn power off and disconnect the battery fuse before working on the device.

Install the device in an enclosure providing protection against electrical, mechanical and fire hazards.

Install the device onto a DIN rail according to EN 60715 with the input terminals on the top of the unit.

The input can be powered from a regulated power supply or a similar DC source. The voltage between the input and ground must not exceed 60Vdc continuously. The ripple voltage in the low frequency range between 50Hz and 10kHz must be negligible when used in marine applications.

The input must be powered from a PELV or SELV source or an "Isolated Secondary Circuit" in order to maintain a SELV or PELV output.

Use an appropriately sized 24V power supply, which can deliver the additional internal current consumption, required to charge the battery.

Use only VRLA lead acid batteries with a capacity between 3.9Ah and 40Ah.

Check for correct input and battery polarity. The device will not operate when the voltage is reversed.

Make sure that the wiring is correct by following all local and national codes. Use appropriate copper cables that are designed for a minimum operating temperature of 60°C for ambient temperatures up to +45°C, 75°C for ambient temperatures up to +60°C and 90°C for ambient temperatures up to +70°C. Ensure that all strands of a stranded wire enter the terminal connection.

Do not use wires smaller than 2.5mm² (or AWG 12) and not longer than 2x1.5m between the battery and the DC-UPS controller. Longer or smaller gauge wires can change performance of the system. Use a 30A fuse (ATOF® 287 030 from Little fuse or an UL listed fuse with the same characteristics) in the battery circuit. The battery fuse protects the wires between the battery and the DC-UPS and shall be located close to the battery.

The device is designed for pollution degree 2 areas in controlled environments. No condensation or frost is allowed.

The device is designed as "Class of Protection III" equipment according to IEC 61140.

The enclosure of the device provides a degree of protection of IP20.

A disconnecting means shall be provided for the input and the battery input of the device.

The device is designed for convection cooling and does not require an external fan. Do not obstruct airflow and do not cover ventilation grid!

Keep the following minimum installation clearances: 40mm on top, 20mm on the bottom, 5mm left and right side. Increase the 5mm to 15mm in case the adjacent device is a heat source. When the device is permanently loaded with less than 50%, the 5mm can be reduced to zero.

The device is designed for altitudes up to 6000m (19685ft).

The maximum surrounding air temperature is +70°C (+158°F). The operational temperature is the same as the ambient or surrounding air temperature and is defined 2cm below the device.

The device is designed to operate in areas between 5% and 95% relative humidity.

Installation Instructions for Hazardous Location Areas

The device is suitable for use in Class I Division 2 Groups A, B, C, D locations and for use in Group II Category 3 (Zone 2) environments.

Hazardous Location Classification: ATEX: EPS 15 ATEX 1 025 X, II 3G EX ec nC IIC T3 Gc

WARNING EXPLOSION HAZARDS!

Substitution of components may impair suitability for this environment.

Do not disconnect the device or change unit settings unless power has been switched off or the area is known to be non-hazardous.

A suitable enclosure must be provided for the end-product which has a minimum protection of IP54 and fulfils the requirements of the EN 60079-0.

3. INPUT

Input voltage	nom.	DC 24V	
Input voltage ranges	nom.	22.5-30Vdc 30-35Vdc 35Vdc 0-22.5Vdc	Continuous operation, see Fig. 3-1 Temporarily allowed, no damage to the DC-UPS*) Absolute maximum input voltage with no damage to the DC-UPS The DC-UPS switches into buffer mode and delivers output voltage from the battery if the input was above the turn-on level before and all other buffer conditions are fulfilled.
Allowed input voltage ripple	max.	1.5Vpp 1Vpp	Bandwidth <400Hz Bandwidth 400Hz to 1kHz
Allowed voltage between input and earth (ground)	max.	60Vdc or 42.4Vac	
Turn-on voltage	typ. max.	22.8Vdc 23Vdc	The output does not switch on if the input voltage does not exceed this level.
Input current**)	typ.	140mA 1.1A	Internal current consumption Current consumption for battery charging in constant current mode at 24V input See Fig. 6-2***)
External capacitors on the input		No limitation	

*) The DC-UPS shows "Check Wiring" with the red LED and buffering is not possible

***) The total input current is the sum of the output current, the current which is required to charge the battery during the charging process and the current which is needed to supply the DC-UPS itself. See also Fig. 3-2. This calculation does not apply in overload situations where the DC-UPS limits the output current, therefore see Fig. 3-3.

***) Please note: This is the input current and not the current which flows into the battery during charging. The battery current can be found in chapter 8.

Fig. 3-1 Input voltage range

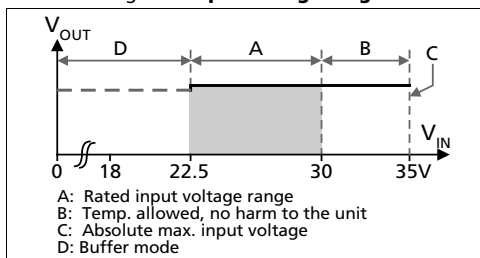
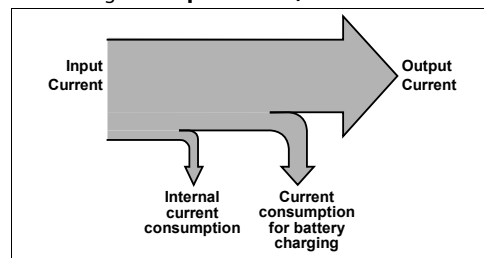


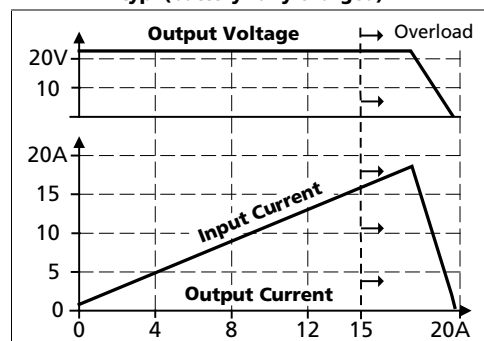
Fig. 3-2 Input current, definitions



Electronic output current limitation

The DC-UPS is equipped with an electronic output current limitation. This current limitation works in a switching mode which reduces the power losses and heat generation to a minimum. As a result, the output voltage drops since there is not enough current to support the load. A positive effect of the current limitation in switching mode is that the input current goes down despite an increase in the output current resulting in less stress for the supplying source. Fig. 3-3 shows the behavior when the 12V is not loaded. Power which is taken out from the 12V reduces the power on the 24V side.

Fig. 3-3 Input current vs. 24V output current, typ. (battery fully charged)



4. OUTPUT IN NORMAL MODE

The total output power of 360W can be shifted dynamically between the two outputs.

24V Output:

Output voltage	nom.	DC 24V	The output voltage follows the input voltage reduced by the input to output voltage drop.
Voltage drop between input and output	max.	0.3V	At 10A output current, see Fig. 4-1 for typical values
	max.	0.45V	At 15A output current, see Fig. 4-1 for typical values
Ripple and noise voltage	max.	20mVpp	20Hz to 20MHz, 50Ohm *)
Output current	nom.	0-15A	Continuously allowed, lower if the 12V output is loaded.
	min.	12.3A	Output if 12V output is loaded with 5A.
Short-circuit current	min.	17.9A	Load impedance 100mOhm, see Fig. 4-2 for typical values. The 12V output is off during an overload or short on the 24V.
	max.	21A	
Capacitive and inductive loads		No limitation	

12V Output:

Output voltage	nom.	DC 12V	
Output voltage tolerance		±2%	
Ripple and noise voltage	typ.	30mVpp	20Hz to 20MHz, 50Ohm*)
Output current	nom.	0 - 5A	Continuously allowed, may be lower if the 24V output is loaded more than 12.3A
	min.	4A	Load impedance 100mOhm, see Fig. 5-5. for typical values. The 24V output is on during an overload or short on the 12V.
Short-circuit current	min.	4A	
	max.	5.5A	
Capacitive and inductive loads		No limitation	

*) This figure shows the ripple and noise voltage which is generated by the DC-UPS. The ripple and noise voltage might be higher if the supplying source has a higher ripple and noise voltage.

Fig. 4-1 Input to output voltage drop, typ.

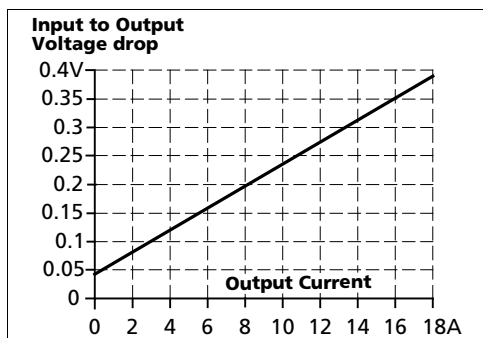
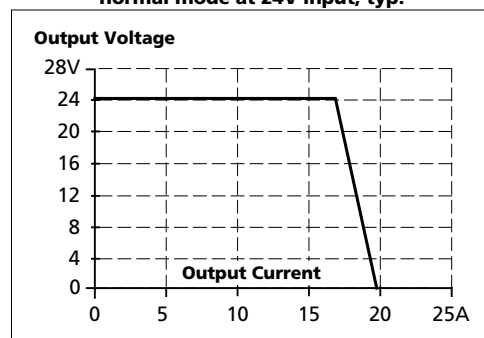


Fig. 4-2 Output voltage vs. output current in normal mode at 24V input, typ.



5. OUTPUT IN BUFFER MODE

If the input voltage falls below the transfer threshold level, the DC-UPS starts buffering without any interruption or voltage dips. The transfer threshold level is typically 80mV higher than the 24V output voltage in buffer mode. Buffering is possible even if the battery is not fully charged.

24V Output

Output voltage	nom.	DC 24V 22.45V 22.25V	Output is stabilized and independent from battery voltage ±1%, at no load, ±1%, at 10A output current
Ripple and noise voltage	max.	20mVpp	20Hz to 20MHz, 50Ohm
Output current	nom.	0-10A 10-15A	Continuously allowed, 12V output not loaded. *) 12V output not loaded.
	min.	7.0A	If 12V output is loaded with 5A.
Short-circuit current	min.	17.9A	Load impedance 100mOhm**); The 12V output is off during an overload or short on the 24V.
	max.	21A	

12V Output

Output voltage	nom.	DC 12V	Output is stabilized and independent from battery voltage
Output voltage tolerance		±2%	
Ripple and noise voltage	typ.	30mVpp	20Hz to 20MHz, 50Ohm ;
Output current	nom.	0-5A	Continuously allowed, may be lower if the 24V output is loaded more than 7.0A
Short-circuit current	min.	4A	Load impedance 100mOhm, see Fig. 5-5 for typical values.
	max.	5.5A	Continuous constant; The 24V output is on during an overload or short on the 12V as long as the battery delivers current.

*) If the output current is in the range between 10A and 15A (Bonus Power) for longer than 5s, a hardware controlled reduction of the maximal output current to 10A occurs. If the 10A are not sufficient to maintain the 24V, buffering stops at both outputs after another 5s. The buffering is possible again as soon as the input voltage recovers.

***) If the nominal output voltage cannot be maintained in buffer mode, the DC-UPS switches off after 5s to save battery capacity.

Fig. 5-1 Buffering transition, definitions

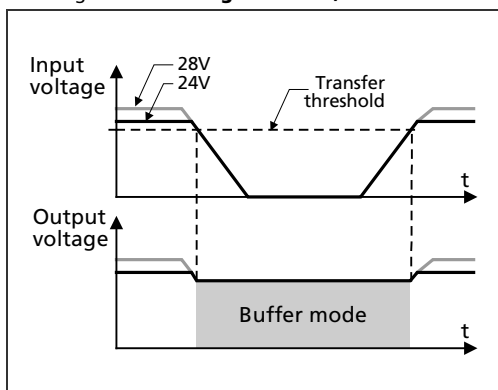


Fig. 5-2 Transfer behavior, typ.

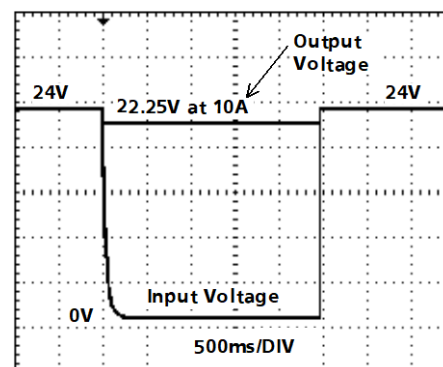


Fig. 5-3 Available output current in buffer mode

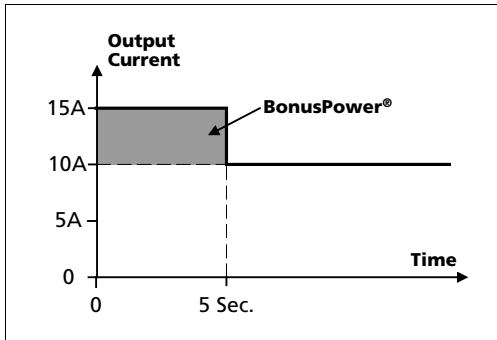


Fig. 5-4 24V Output voltage vs. output current in buffer mode, typ.

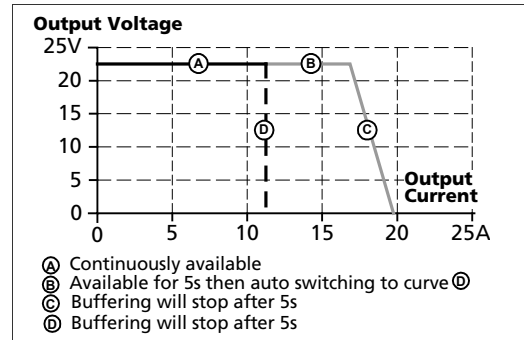
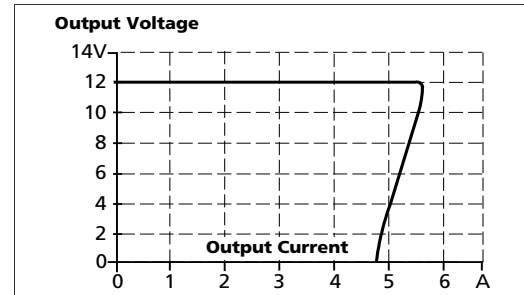


Fig. 5-5 12V Output voltage vs. output current in normal or buffer mode, typ.



6. BATTERY INPUT

The DC-UPS requires one 12V VRLA battery to buffer the 24V and 12V output.

Battery voltage	nom.	DC 12V	Use one maintenance-free 12V VRLA lead acid battery or one battery module which is listed in the chapter accessories.	
Battery voltage range		9.0–15.0V	Continuously allowed, except deep discharge protection	
	max.	35Vdc		Absolute maximum voltage with no damage to the unit
	typ.	7.4V		Above this voltage level battery charging is possible
Allowed battery sizes	min.	3.9Ah		
	max.	40Ah		
Internal battery resistance	max.	100mOhm	See individual battery datasheets for this value	
Battery charging method		CC-CV	Constant current, constant voltage mode	
Battery charging current (CC-mode)	nom.	1.5A	Independent from battery size, Corresponding 24V input current see Fig. 6-2	
	max.	1.7A		
End-of-charge-voltage (CV-mode)		13.4-13.9V	Adjustable, see chapter 12	
Battery charging time	typ.	5h ^{*)}	For a 7Ah battery	
	typ.	17h ^{*)}	For a 26Ah battery	
Battery discharging current ^{**)}	typ.	21A	Buffer mode, 240W output, 11.5V on the battery terminal of the DC-UPS, see Fig. 6-1 for other parameters	
	typ.	0.3A	Buffer mode, 0A output current	
	max.	50µA	At no input, buffering had switched off, all LEDs are off	
	typ.	310mA	At no input, buffering had switched off, yellow LED shows "buffer time expired" (max. 15 minutes)	
Deep discharge protection ^{***)}	typ.	10.5V	At 0% output load	
	typ.	9.0V	At 100% output load	

- *) The charging time depends on the duration and load current of the last buffer event. The numbers in the table represent a fully discharged battery. A typical figure for a buffer current of 10A at 24V output is 3h 20Min. for a 7Ah battery.
- **) The current between the battery and the DC-UPS is more than twice the 24V output current. This is caused by boosting the 12V battery voltage to a 24V level. This high current requires large wire gauges and short cable length for the longest possible buffer time. The higher the resistance of the connection between the battery and the DC-UPS, the lower the voltage on the battery terminals which increases the discharging current. See also chapter 23 for more installation instructions.
- ***) To ensure longest battery lifetime, the DC-UPS has a battery deep discharge protection feature included. The DC-UPS stops buffering when the voltage on the battery terminals of the DC-UPS falls below a certain value.

Fig. 6-1 Battery discharging current vs. 24V output current, typ. (12V not loaded)

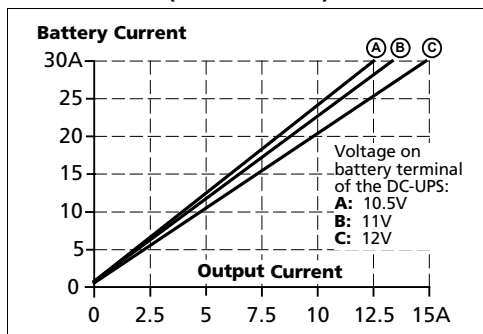
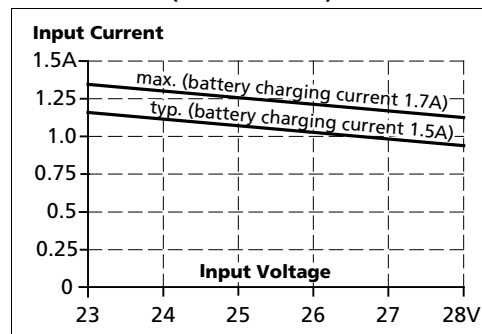


Fig. 6-2 Required input current vs. input voltage for battery charging (12V not loaded)



7. BUFFER TIME

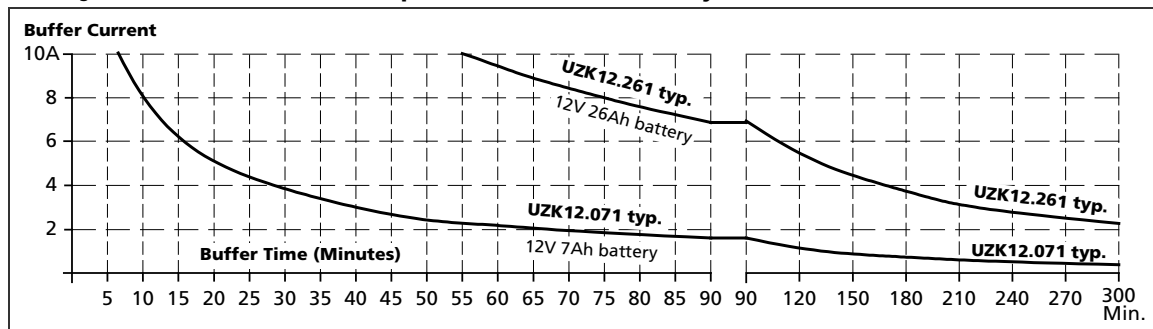
The buffer time depends on the capacity and performance of the battery as well as the load current. The diagram below shows the typical buffer times of the 24V output with the standard battery modules at 20°C.

Buffer time with battery module UZK12.072	min.	18'30"	At 5A output current *)
	min.	5'30"	At 10A output current *)
	typ.	20'50"	At 5A output current, see Fig. 7-1 **)
	typ.	6'30"	At 10A output current, see Fig. 7-1 **)
Buffer time with battery module UZK12.261	min.	96'30"	At 5A output current *)
	min.	37'50"	At 10A output current *)
	typ.	126'	At 5A output current, see Fig. 7-1 **)
	typ.	53'20"	At 10A output current, see Fig. 7-1 **)

*) Minimum value includes 20% aging of the battery and a cable length of 1.5m with a cross section of 2.5mm² between the battery and the DC-UPS and requires a fully charged (min. 24h) battery.

***) Typical value includes 10% aging of the battery and a cable length of 0.3m with a cross section of 2.5mm² between the battery and the DC-UPS and requires a fully charged (min. 24h) battery.

Fig. 7-1 Buffer time vs. 24V output current with the battery modules UZK12.072 and UZK12.261



The buffer time is reduced if the 12V output is loaded. This can be calculated according to the following example:

Example: 24V, 5A and 12V, 4A load

Step1: Convert the 12V current to a virtual 22.3V level:

Ratio: $12V/22.3V = 0.54$ 12V, 4A output converted to 22.3V level: $0.54 * 4A = 2.15A$

Step 2: Add the computed current to the actual 24V current:

$2.15A + 5A = 7.15A$

Step 3: Determine the buffer time by using the standard buffer time curve (Fig. 7-1):

7.15A load with UZK12.072: Approx. 12 minutes buffer time.

The battery capacity is usually specified in amp-hours (Ah) for a 20h discharging event. The battery discharge is non-linear (due to the battery chemistry). The higher the discharging current, the lower the appropriate battery capacity. The magnitude of the reduction depends on the discharging current as well as on the type of battery. High current battery types can have up to 50% longer buffer times compared to regular batteries when batteries will be discharged in less than 1 hour. High discharging currents do not necessarily mean high power losses as the appropriate battery capacity is reduced with such currents. When the battery begins to recharge after a discharging

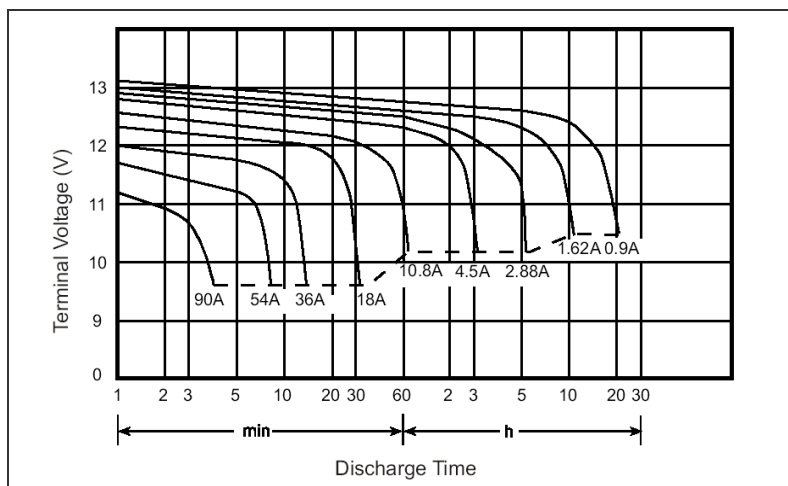
event, the process is completed much faster since only the energy which was taken out of the battery needs to be "refilled". For this reason, the buffer time cannot be calculated using the Ah capacity value.

The equation " $I \times t$ " = capacity in Ah generally leads to incorrect results when the discharging current is higher than C20 (discharging current for 20h). The battery datasheet needs to be studied and a determination of the expected buffer time can be made according to the following example:

Example how to determine the expected buffer time for other battery types and battery sizes:

Step 1 Check the datasheet of the battery which is planned to be used and look for the discharging curve. Sometimes, the individual discharging curves are marked with relative C-factors instead of current values. This can easily be converted. The C-factor needs to be multiplied with the nominal battery capacity to get the current value. E.g.: 0.6C on a 17Ah battery means 10.2A.

Fig. 7-2 **Typical discharging curve of a typical 17Ah battery, curve taken from a manufacturer's datasheet**



Step 2 Determine the required battery current. Use Fig. 6-1 "Battery discharging current vs. output current" to get the battery current. Fig. 6-1 requires the average voltage on the battery terminals. Since there is a voltage drop between the battery terminals and the battery input of the DC-UPS, it is recommended to use the curve A or B for output currents > 3A or when long battery cables are used. For all other situations, use curve C.

Step 3 Use the determined current from Step 2 to find the appropriate curve in Fig. 7-2. The buffer time (Discharging Time) can be found where this curve meets the dotted line. This is the point where the DC-UPS stops buffering due to the under-voltage lockout.

Step 4 Depending on Fig. 7-2, the buffer time needs to be reduced to take aging effects or guaranteed values into account.

Example:

The buffer current is 24V 7.5A and a battery according Fig. 7-2 is used. The cable between the battery and the DC-UPS is 1m and has a cross section of 2.5mm². How much is the maximum achievable buffer time.

Answer:

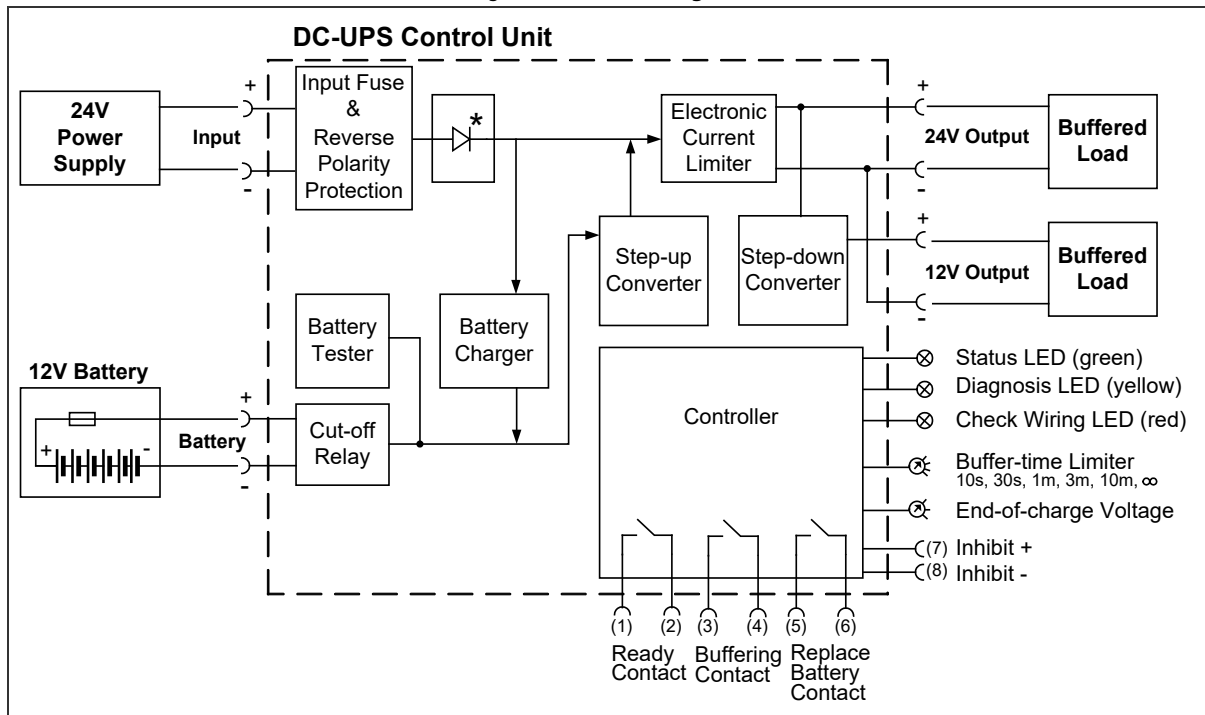
- According to Fig. 6-1, the battery current is 18A. Curve A is used since the battery current is > 3A and the length of the cable is one meter.
- According to Fig. 7-2, a buffer time (Discharging Time) of 30 Minutes can be determined. It is recommended to reduce this figure to approximately 24 minutes for a guaranteed value and to cover aging effects.

8. EFFICIENCY AND POWER LOSSES

Efficiency	typ.	97.5%	Normal mode, 24V 10A, 12V 0A, battery fully charged
	typ.	96%	Normal mode, 24V 7.0A, 12V 5A, battery fully charged
Power losses	typ.	3.4W	Normal mode, no load, battery fully charged
	typ.	6W	Normal mode, 24V 10A, 12V 0A, battery fully charged
	typ.	10W	Normal mode, 24V 12.3A, 12V 5A, battery fully charged
	typ.	5.5W	During battery charging, no load.
	typ.	19W	Buffer mode, 24V 10A, 12V 0A
	typ.	23W	Buffer mode, 24V 7.0A, 12V 5A

9. FUNCTIONAL DIAGRAM

Fig. 9-1 Functional diagram



*) Return current protection; This feature utilizes a Mosfet instead of a diode in order to minimize the voltage drop and power losses.

10. CHECK WIRING AND BATTERY QUALITY TESTS

The DC-UPS is equipped with an automatic "Check Wiring" and "Battery Quality" test.

"Check Wiring" test:

Under normal circumstances, an incorrect or bad connection from the battery to the DC-UPS or a missing (or blown) battery fuse would not be recognized by the UPS when operating in normal mode. Only when back up is required would the unit not be able to buffer. Therefore, a "check wiring" test is included in the DC-UPS. This connection is tested every 10 seconds by loading the battery and analyzing the response from the battery. If the resistance is too high, or the battery voltage is not in range, the unit displays "Check Wiring" with the red LED. At the same time the green "Ready" LED will turn off.

"Battery Quality" or "State of Health" (SoH) test:

The battery has a limited service life and needs to be replaced in a fixed interval which is defined by the specified service life (acc. to the Eurobat guideline), based on the surrounding temperature and the number of charging/discharging cycles. If the battery is used longer than the specified service life, the battery capacity will degrade. Details can be found in chapter 25.1. The battery quality test can not determine a gradual loss in capacity. However, it can detect a battery failure within the specified service life of the battery. Therefore a battery quality test is included in the DC-UPS.

The battery quality test consists of different types of tests:

- During charging:
If the battery does not reach the ready status (see chapter 12) within 30h, it is considered to be defective. The reason could be a broken cell inside the battery.
- During operation:
Once the battery is fully charged, a voltage drop test and a load test is performed alternately every 8 hours. Three of the tests must consecutively produce negative results to indicate a battery problem.

A battery problem is indicated with the yellow LED (replace battery pattern) and the relay contact "Replace Battery". Please note that it can take up to 50 hours (with the largest size of battery) until a battery problem is reported. This should avoid nuisance error messages as any urgent battery problems will be reported by the "Check Wiring" test and create a warning signal. The battery tests require up to 50h uninterrupted operation. Any interruptions in the normal operation of the DC-UPS may result in the "Replace Battery" test cycle to start over.

When "Replace battery" is indicated, it is recommended to replace battery as soon as possible.

11. RELAY CONTACTS AND INHIBIT INPUT

The DC-UPS is equipped with relay contacts and signal inputs for remote monitoring and controlling of the unit.

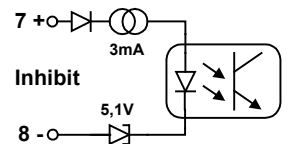
Relay contacts:

- Ready: Contact is closed when battery is charged more than 85%, no wiring failure are recognized, input voltage is sufficient and inhibit signal is not active.
- Buffering: Contact is closed when unit is buffering.
- Replace Battery: Contact is closed when the unit is powered from the input and the battery quality test (SOH test) reports a negative result.

Relay contact ratings	max.	60Vdc 0.3A, 30Vdc 1A, 30Vac 0.5A resistive load
	min.	1mA at 5Vdc min.
Isolation voltage	max.	500Vac, signal port to power port

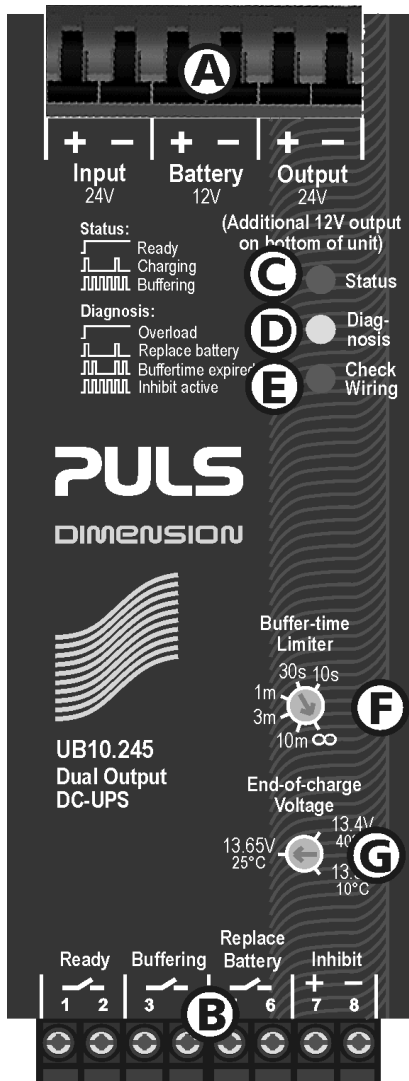
Signal input:

Inhibit: The inhibit input disables buffering. In normal mode, a static signal is required. In buffer mode, a pulse with a minimum length of 250ms is required to stop buffering. The inhibit is stored and can be reset by cycling the input voltage. See also chapter 25.1 for application hints.



Signal voltage	max.	35Vdc
Signal current	max.	6mA, current limited
Inhibit threshold	min.	6Vdc, buffering is disabled above this threshold level
	max.	10Vdc
Isolation	nom.	500Vac, signal port to power port

12. FRONT SIDE USER ELEMENTS



A Power Port

Quick-connect spring-clamp terminals, connection for input voltage, output voltage and battery. The 12V power port is placed on the bottom.

B Signal Port

Plug connector with screw terminals, inserted from the bottom. Connections for the Ready, Buffering, Replace Battery relay contacts and for the Inhibit input. See details in chapter 11.

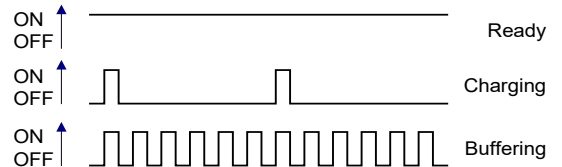
C Green Status LED

Ready: Battery is charged > 85%, no wiring failure is recognized, input voltage is sufficient and inhibit signal is not active.

Charging: Battery is charging and the battery capacity is below 85%.

Buffering: Unit is in buffer mode.

Flashing pattern of the green status LED:



D Yellow Diagnosis LED

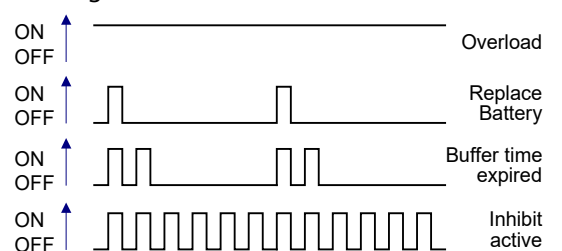
Overload: Output has switched off due to long overload in buffer mode or due to high temperatures.

Replace battery: Indicates a battery which failed the battery quality test (SoH test). Battery should be replaced soon.

Buffer-time expired: Output has switched off due to settings of Buffer-timer Limiter. This signal will be displayed for 15 minutes.

Inhibit active: Indicates that buffering is disabled due to an active inhibit signal.

Flashing pattern of the yellow diagnosis LED:



E Red Check Wiring LED

This LED indicates a failure in the installation (e.g. too low input voltage), wiring, battery or battery fuse.

F Buffer-time Limiter:

User accessible dial which limits the maximum buffer time in a buffer event to save battery energy. When the battery begins to recharge after a discharging event, the process is completed much faster since only the energy which was taken out of the battery needs to be "refilled". The following times can be selected: 10 seconds, 30 seconds, 1 minute, 3 minutes, 10 minutes or infinity (until battery is flat) which allows buffering until the deep discharge protection stops buffering.

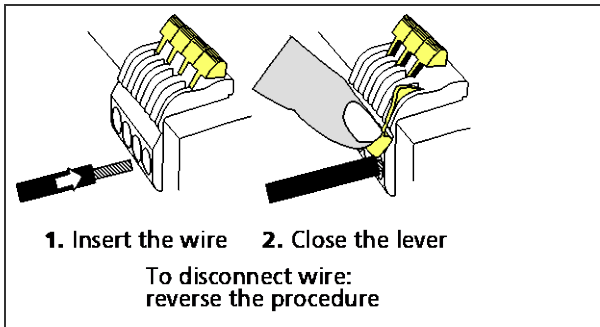
G End-of-charge-voltage Selector:

The end-of-charge-voltage shall be set manually according to the expected temperature in which the battery is located. The dial on the front of the unit allows a continuously adjustment between +10 and +40°C. 10°C will set the end-of-charge-voltage to 13.9V, 25°C→13.65V and 40°C→13.4V. If in doubt about the expected temperature, set the unit to 40°C.

13. TERMINALS AND WIRING

	Power terminals (except 12V)	12V Terminal	Signal terminals
Type	Bi-stable, quick-connect spring-clamp terminals. Shipped in open position.	Lockable plug connector with spring-clamp terminals.	Plug connector with screw terminal. Shipped in open position. To meet GL requirements, unused terminal compartments should be closed.
Solid wire	0.5-6mm ²	0.1-2.5mm ²	0.2-1.5mm ²
Stranded wire	0.5-4mm ²	0.1-2.5mm ²	0.2-1.5mm ²
AWG	20-10AWG	28-12AWG	22-14AWG
Ferrules	Allowed, but not required	Allowed, but not required	Allowed, but not required
Pull-out force	10AWG:80N, 12AWG:60N, 14AWG:50N, 16AWG:40N according to UL486E		Not applicable
Recom. screwdriver	Not required	3,5mm slotted	3,5mm slotted
Tightening torque	Not applicable	Not applicable	0.4Nm, 3.5lb.in
Wire stripping length	10mm / 0.4inch	8.5mm / 0.34inch	6mm / 0.24inch

Fig. 13-1 Spring-clamp terminals, connecting a wire



Instructions:

- a) Use appropriate copper cables, that are designed for an operating temperature of 60°C
- b) Follow national installation codes and regulations!
- c) Ensure that all strands of a stranded wire enter the terminal connection!
- d) Up to two stranded wires with the same cross section are permitted in one connection point

14. RELIABILITY

Lifetime expectancy, normal mode	min.	114 000 h	At 10A output current, 40°C
	min.	148 000 h	At 5A output current, 40°C
	min.	380 000 h	At 10A output current, 25°C
MTBF SN 29500, IEC 61709, normal mode		788 000 h	At 10A output current, 40°C
MTBF MIL HDBK 217F, normal mode		343 000 h	At 10A output current , 40°C, ground benign GB40

The **Lifetime expectancy** shown in the table indicates the operating hours (service life) and is determined by the lifetime expectancy of the built-in electrolytic capacitors. Lifetime expectancy is specified in operational hours. Lifetime expectancy is calculated according to the capacitor's manufacturer specification. The prediction model allows a calculation of up to 15 years from date of shipment.

MTBF stands for **Mean Time Between Failure**, which is calculated according to statistical device failures and indicates reliability of a device. It is the statistical representation of the likelihood of a unit to fail and does not necessarily represent the life of a product.

15. EMC

The unit is suitable for applications in industrial environment as well as in residential, commercial and light industry environment without any restrictions. CE mark is in conformance with EMC directive 89/336/EC and 93/68/EC and 2004/108/EC and the low-voltage directive (LVD) 73/23/EC, 93/68/EC, 2006/95/EC.

A detailed EMC Report is available on request.

EMC Immunity	EN 61000-6-1, EN 61000-6-2	Generic standards		
Electrostatic discharge	EN 61000-4-2	Contact discharge	8kV	Criterion A ^{*)}
		Air discharge	15kV	Criterion A ^{*)}
Electromagnetic RF field	EN 61000-4-3	80MHz-1GHz	10V/m	Criterion A
Fast transients (Burst)	EN 61000-4-4	Out- and input lines	2kV	Criterion A
		Signal lines ^{**)}	2kV	Criterion A
Surge voltage	EN 61000-4-5	Input + / - → housing	500V	Criterion A
		24V Output + → - housing	500V	Criterion A
		12V Output + / - → housing	500V	Criterion A
		24V Output + → -	500V	Criterion A
		Input + → -	500V	Criterion A
Conducted disturbance	EN 61000-4-6	0,15-80MHz	10V	Criterion A

*) DIN rail earthed

**) Tested with coupling clamp

EMC Emission	EN 61000-6-3, EN 61000-6-4	Generic standards		
Conducted emission	EN 55032	Input lines	Class B ^{*)}	
		24V Output lines	Class B ^{*)}	
		12V Output lines	Class A ^{*)}	
Radiated emission	EN 55011, EN 55032	Class B		

This device complies with FCC Part 15 rules.

Operation is subjected to the following two conditions: (1) this device may not cause harmful interference, and (2) this device must accept any interference received, including interference that may cause undesired operation.

*) Informative measurement with voltage probe

Switching frequencies

The DC-UPS has four converters with four different switching frequencies included.

Switching frequency of boost converter	100kHz	Constant frequency
Switching frequency of electronic output current limitation	78kHz	Constant frequency
Switching frequency of battery charger	19.5kHz	Constant frequency
Switching frequency of step-down converter 12V output	40-55kHz	Depending on 12V output load

16. ENVIRONMENT

Operational temperature	-25°C to +70°C (-13°F to 158°F)	For the DC-UPS control unit. Keep battery in a cooler environment!
Derating	6W/°C	at +50°C to +70°C (122°F to 158°F), normal mode see Fig. 16-1, buffer mode see Fig. 16-2
Storage temperature	-40 to +85°C (-40°F to 185°F)	Storage and transportation, except battery
Humidity	5 to 95% r.H.	IEC 60068-2-30 Do not energize while condensation is present
Vibration sinusoidal	2-17.8Hz: ±1.6mm; 17.8-500Hz: 2g	IEC 60068-2-6
Shock	30g 6ms, 20g 11ms	IEC 60068-2-27
Altitude	0 to 6000m	Approvals apply only up to 2000m
Over-voltage category	II	EN 50178
	II	EN 50178 above 2000m altitude
Degree of pollution	2	EN 50178, not conductive

Fig. 16-1 **Output current vs. ambient temperature in normal mode**

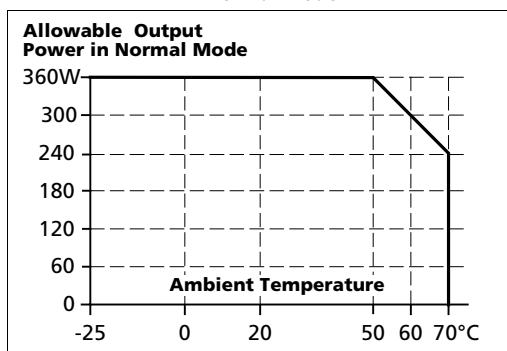
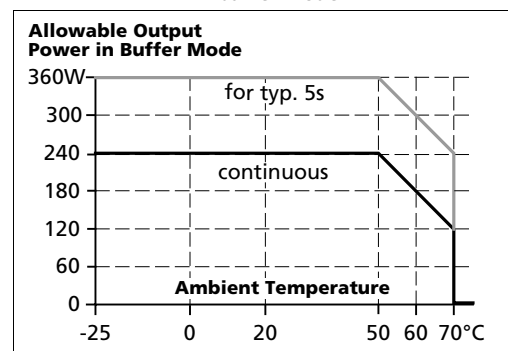


Fig. 16-2 **Output current vs. ambient temperature in buffer mode**



The ambient temperature is defined 2cm below the unit.

17. PROTECTION FEATURES

Output protection	Electronically protected against overload, no-load and short-circuits	
Output over-voltage protection	typ. 32Vdc max. 35Vdc	24V Output In case of an internal defect, a redundant circuitry limits the maximum output voltage. The output automatically shuts-down and makes restart attempts
	max. 16V	12V Output: The unit is protected with a melting fuse. In case the fuse has triggered, send unit back to factory.
Degree of protection	IP20	EN/IEC 60529
Penetration protection	> 3.5mm	E.g. screws, small parts
Reverse battery polarity protection	yes	Max. -35Vdc;
Wrong battery voltage protection	yes	Max. +35Vdc (e.g. 24V battery instead of 12V battery)
Battery deep discharge protection	yes	The limit is battery current dependent
Over temperature protection	yes	Output shut-down with automatic restart
Input over-voltage protection	yes	Max. 35Vdc, no harm or defect of the unit
Internal input fuse	25A, blade type	No user accessible part, no service part

Aug. 2021 / Rev. 1.3 DS-UB10.245-EN

All parameters are specified at an input voltage of 24V, 10A output load, 25°C ambient and after a 5 minutes run-in time unless otherwise noted. It is assumed that the input power source can deliver a sufficient output current.

18. SAFETY FEATURES

Output voltage	SELV PELV Max. allowed voltage between any input, output or signal pin and ground: 60Vdc or 42.4Vac	IEC/EN 60950-1 EN 60204-1, EN 50178, IEC 60364-4-41
Class of protection	III	PE (Protective Earth) connection is not required
Isolation resistance	> 5MΩ	Power port to housing, 500Vdc
Dielectric strength	500Vac	Power port to signal port
	500Vac	Power port / signal port to housing
Touch current (leakage current)	The leakage current which is produced by the DC-UPS itself depends on the input voltage ripple and need to be investigated in the final application. For a smooth DC input voltage, the produced leakage current is less than 100µA.	

19. APPROVED, FULFILLED OR TESTED STANDARDS

UL 508



UL Certificate
Listed equipment for category NMTR - Industrial Control Equipment
Applicable for US and Canada
E-File: E198865

IEC 60950-1

CB Report

CB Scheme Certificate
General safety requirements for Information Technology Equipment (ITE)

UL 60950-1



UL Certificate
Recognized component for category QQQ - Information Technology Equipment (ITE)
Applicable for US and Canada
E-File: E137006

ATEX



Agency Certificate (Bureau Veritas)
EN 60079-0 Explosive atmospheres - General requirements
EN 60079-7, EN 60079-15 Equipment protection by type of protection "e" and "n"
Certificate: EPS 15 ATEX 1 025 X
Temperature Code: T3
Type of Protection: ec nC

IECEx

IECEx

IECEx Certificate
IEC 60079-0 Explosive atmospheres - General requirements
IEC 60079-7, IEC 60079-15 Equipment protection by type of protection "e" and "n"
Certificate: IECEx EPS 15.0049 X
Temperature Code: T3
Type of Protection: ec nC

Class I Div 2



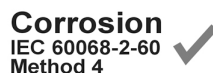
CSA Certificate
Power Supplies for Hazardous Location
Applicable for Canada and US
CSA Class: 5318-01 (Canada), 5318-81 (USA)
Temperature Code: T3
Groups: A, B, C and D

Class I Div. 2



UL Certificate
Recognized component for category QQPX - Power Supplies for Use in Hazardous Locations
Applicable for US and Canada
E-File: E246846
Temperature Code: T3
Groups: A, B, C and D

IEC 60068-2-60



Manufacturer's Declaration (Online Document)
Environmental Tests, Flowing Mixed Gas Corrosion Test
Test Ke - Method 4
H2S: 10ppb
NO2: 200ppb
Cl2: 10ppb
SO2: 200ppb
Test Duration: 3 weeks, which simulates a service life of 10 years

ISA-71.04 G3

Corrosion
G3-ISA-71.04 ✓

Manufacturer's Declaration (Online Document)
Airborne Contaminants Corrosion Test
Severity Level: G3 Harsh
H2S: 100ppb
NOx: 1250ppb
Cl2: 20ppb
SO2: 300ppb
Test Duration: 3 weeks, which simulates a service life of 10 years.

VDMA 24364

LABS
VDMA 24364-C1-L/W

Paint Wetting Impairment Substances Test (or LABS-Test)
Tested for Zone 2 and test class C1 according to VDMA 24364-C1-L/W for solvents and water-based paints

20. REGULATORY PRODUCT COMPLIANCE

EU Declaration of
Conformity



The CE mark indicates conformance with the
- EMC directive
- Low-voltage directive (LVD)
- RoHS directive

REACH Directive



Manufacturer's Statement
EU-Directive regarding the Registration, Evaluation,
Authorization and Restriction of Chemicals

WEEE Directive



Manufacturer's Statement
EU-Regulation on Waste Electrical and Electronic Equipment
Registered in Germany as business to business (B2B) products.

EAC TR Registration



EAC Certificate
EAC EurAsian Conformity - Registration Russia, Kazakhstan and
Belarus
8504408200, 8504409000

21. USED SUBSTANCES

The unit does not release any silicone and is suitable for the use in paint shops.

The unit conforms to the RoHS directive 2002/96/EC.

Electrolytic capacitors included in this unit do not use electrolytes such as Quaternary Ammonium Salt Systems.

Plastic housings and other molded plastic materials are free of halogens.

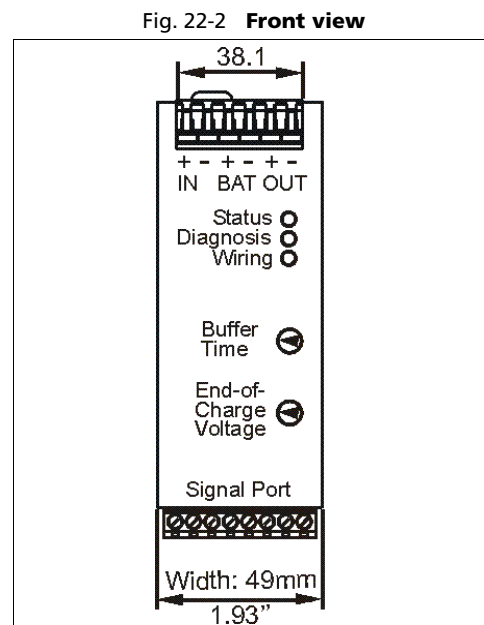
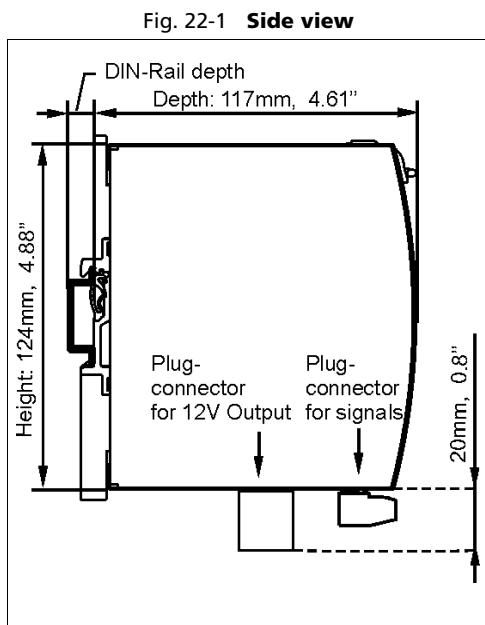
The materials used in our production process do not include the following toxic chemicals:

Polychlorinated Biphenyl (PCB), Pentachlorophenol (PCP), Polychlorinated naphthalene (PCN), Polybrominated Biphenyl (PBB), Polybrominated Biphenyl Oxide (PBO), Polybrominated Diphenyl Ether (PBDE), Polychlorinated Diphenyl Ether (PCDE), Polybrominated Diphenyl Oxide (PBDO), Cadmium, Asbestos, Mercury, Silica

22. PHYSICAL DIMENSIONS AND WEIGHT

Width	49mm / 1.93"	
Height	124mm / 4.88"	Plus height of signal and 12V output connector plug see Fig. 22-1
Depth	117mm / 4.61"	Plus depth of DIN rail
Weight	650g / 1.43lb	
DIN rail	Use 35mm DIN rails according to EN 60715 or EN 50022 with a height of 7.5 or 15mm. The DIN rail depth must be added to the depth (117mm) to calculate the total required installation depth.	

Electronic files with mechanical data can be downloaded at www.pulspower.com



23. INSTALLATION NOTES

Mounting:

The power terminal shall be located on top of the unit. An appropriate electrical and fire end-product enclosure should be considered in the end use application.

Cooling: Convection cooled, no forced air cooling required. Do not obstruct air flow!

Installation clearances: 40mm on top, 20mm on the bottom, 5mm on the left and right side are recommended when loaded permanently with full power. In case the adjacent device is a heat source, 15mm clearance are recommended.

Risk of electrical shock, fire, personal injury or death!

Turn power off and disconnect battery fuse before working on the DC-UPS. Protect against inadvertent re-powering.

Make sure the wiring is correct by following all local and national codes. Do not open, modify or repair the unit.

Use caution to prevent any foreign objects from entering into the housing.

Do not use in wet locations or in areas where moisture or condensation can be expected.

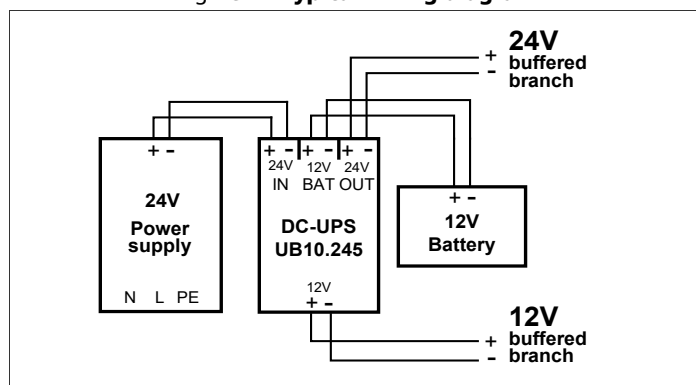
Service parts:

The unit does not contain any service parts. The tripping of an internal fuse is caused by an internal fault. If damage or malfunctioning should occur during operation, immediately turn power off and send unit to the factory for inspection!

Wiring and installation instructions:

- (1) Connect the power supply to the input terminals of the DC-UPS.
- (2) Connect the battery to the battery terminals of the DC-UPS. It is recommended to install the battery outside the cabinet or in a place where the battery will not be heated up by adjacent equipment. Do not install the battery in airtight housings or cabinets. The battery should be installed according to EN50272-2, which includes sufficient ventilation. Batteries store energy and need to be protected against energy hazards. Use a 30A battery fuse typ ATO® 257 030 (Littelfuse) or similar in the battery path. The battery fuse protects the wires between the battery and the DC-UPS. It also allows the disconnection of the battery from the DC-UPS which is recommended when working on the battery or DC-UPS. Disconnect battery fuse before connecting the battery.
Please note: Too small or too long wires between the DC-UPS and the battery can shorten the buffer time or can result in a malfunction of the DC-UPS. Do not use wires smaller than 2.5mm² (or 12AWG) and not longer than 2x1.5m (cord length 1.5m). Avoid voltage drops on this connection.
- (3) Connect the buffered load to the output terminals of the DC-UPS. The 24V output is placed on top of the unit. The 12V output is placed on bottom of the unit behind the signal plug. The output is decoupled from the input allowing load circuits to be easily split into buffered and non buffered sections. Noncritical 24V loads can be connected directly to the power supply and will not be buffered. The energy of the battery can then be used in the circuits which require buffering.
- (4) Install the battery fuse when the wiring is finished.

Fig. 23-1 Typical wiring diagram



24. ACCESSORIES

24.1. BATTERY MODULES

Two pre-assembled battery modules with a single 12V battery are available for different buffer times. As an option, the mounting brackets are also available without batteries. This option offers more flexibility in selecting an appropriate battery or can save shipping and logistic costs. See individual datasheets for detailed information.

	UZK12.072	UZK12.261	
Battery type	Standard version 12V, 7Ah	High current version 12V, 26Ah	VRLA lead-acid maintenance free battery
Service life	3 to 5years	10 to 12years	According to EUROBAT guideline
Dimensions	155x124x112mm	214x179x158mm	Width x height x depth
Weight	3.2kg	9.9kg	
DIN rail mountable	yes	no	
Order number	UZK12.072 UZO12.072 UZB12.071	UZK12.261 UZO12.26 UZB12.261	Battery module Mounting bracket without battery Replacement battery only

Fig. 24-1 **UZK12.072**



Fig. 24-2 **UZK12.261**



24.2. ZM10.WALL - WALL MOUNTING BRACKET

This bracket is used to mount the devices on a wall/panel without utilizing the DIN rail. The bracket can be mounted without detaching the DIN rail brackets from the power supply. Product for illustration purpose only.

Fig. 24-3 **Isometric view**

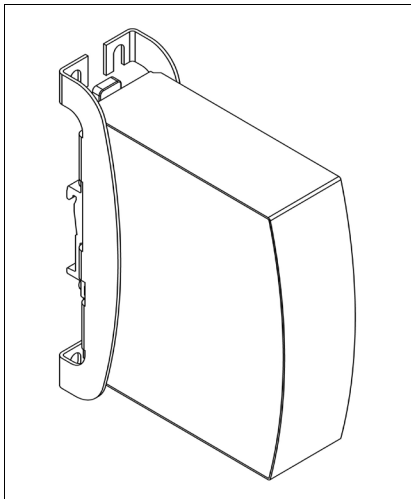


Fig. 24-4 **Isometric view**

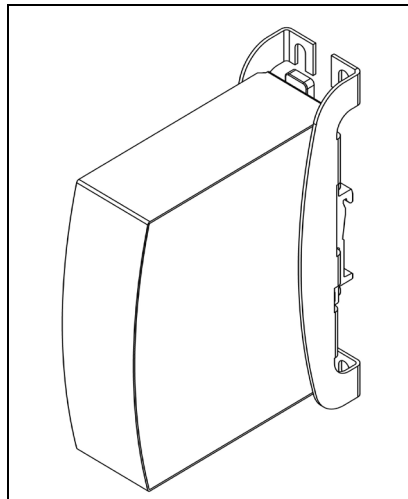


Fig. 24-5 **Isometric view**

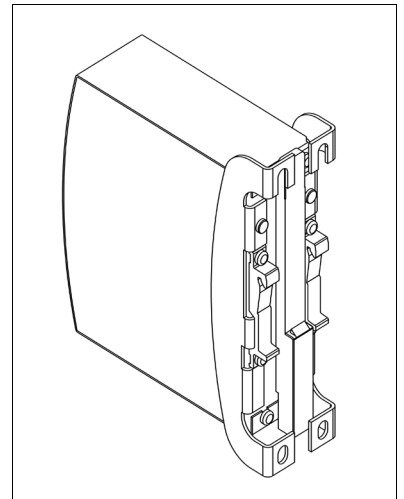


Fig. 24-6 **Wall/panel mounting, front view**

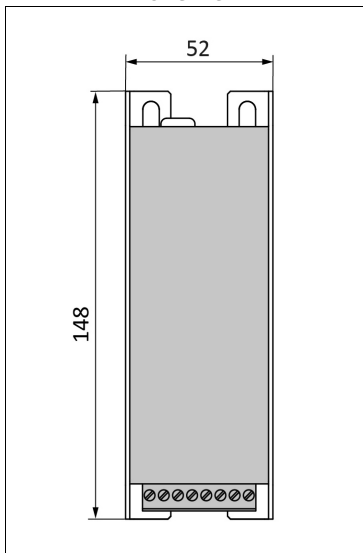


Fig. 24-7 **Hole pattern for wall mounting**

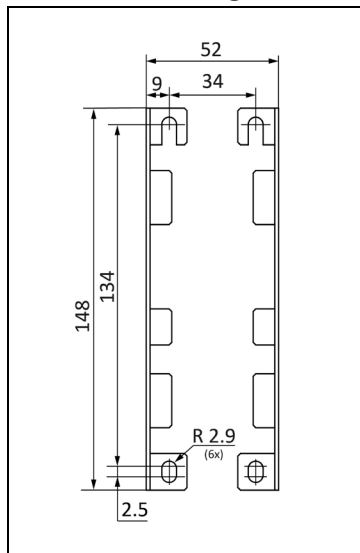
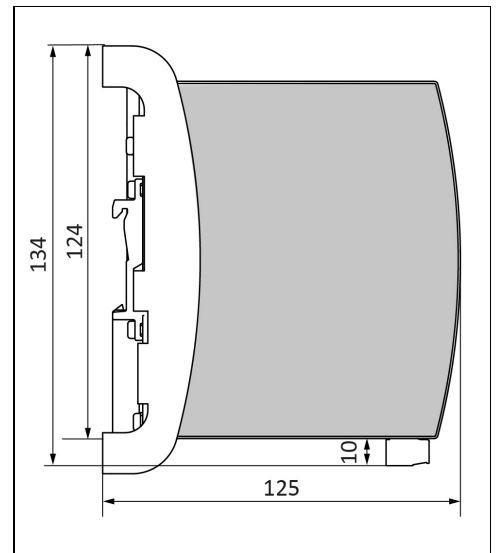


Fig. 24-8 **Wall/panel mounting, side view**



25. APPLICATION NOTES

25.1. BATTERY REPLACEMENT INTERVALS

Batteries have a limited life time. They degrade slowly beginning from the production and need to be replaced periodically. The design life figures can be found in the individual datasheets of the batteries and usually is specified according to the Eurobat guideline or according to the manufacturer's specifications.

The design life is the estimated life based on laboratory condition, and is quoted at 20°C using the manufacturer's recommended float voltage condition. According to the Eurobat guideline, design lives have been structured into the following different groups:

- 3 - 5 years: This group of batteries is very popular in standby applications and in small emergency equipment. This represents a 4 years design life with a production tolerance of ± 1 year.
- 6 - 9 years: This group of batteries is usually used when an improved life is required. This represents a 7.5 years design life with a production tolerance of ± 1.5 years.
- 10 - 12 years: This group of batteries is used when in applications where longest life and highest safety level are required. This represents a 11 years design life with a production tolerance of ± 1 year.

A battery failure within the specified design life of the battery usually results in a complete loss of the battery function (broken cell, defect connection, ...) and will be detected and reported by the periodical battery tests which are included in the UB10.245 DC-UPS control unit.

If the operational parameters differ from those which are specified for the design life, an earlier change of the battery might be necessary. The "real life" is called service life and is defined as the point at which the cell's actual capacity has reached 80% of its nominal capacity. At the end of the service life the capacity degrades much faster, so that a further use of the battery is not recommended.

Temperature effect:

The temperature has the most impact in the service life. The hotter the temperature, the earlier the wear-out phase of the battery begins. The wear-out results in a degradation of battery capacity. See Fig. 25-1 for details.

Effect of discharging cycles

The number as well as the depth of discharging cycles is limited. A replacement of the battery might be necessary earlier than the calculated service life if the battery exceeds the numbers and values of Fig. 25-2.

Other effects which shortens the service life

- Overcharging and deep discharging shortens the service life and should be avoided. Thanks to the single battery concept of the UB10.245, the end-of-charge-voltage can be set very precisely to the required value and thereby avoiding unnecessary aging effects.
- Charge retention is important to get the longest battery life. Stored batteries which are not fully charged age faster than charged batteries. Batteries which are not in use should be recharged at least once a year.
- Excessive float charge ripple across the battery has an effect of reducing life and performance. The UB10.245 does not produce such a ripple voltage. This effect can be ignored when the battery is charged with the UB10.245.

Guidelines for a long battery service life:

- Place the battery in a cool location: E.g. near the bottom of the control cabinet.
- Do not place the battery near heat generating devices.
- Do not store discharged batteries.
- Do not discharge the battery more than necessary. Set buffer time limiter to the required buffer time.
- When choosing the battery capacity, always try to get the next higher capacity than required. The depth of discharge reduces the service life of the battery and limits the number of cycles. See Fig. 25-2 .

Example for calculating the service life and the required replacement cycle:

Parameters for the example:

- A 7Ah battery with a design life of 3-5 years is used (e.g. Yuasa battery from the battery module UZK12.072)
- The average ambient temperature is 30°C
- One buffer event consumes approx. 25% of the achievable buffer time.
- One buffer event per day

Calculation:

Ambient temperature influence:

According to Fig. 25-1 curve A, a 2 years service life can be expected for an ambient temperature of 30°C.

Number of discharging cycles: 2 years * 365 cycles = 730cycles in 2 years.

According to Fig. 25-2, curve C has to be used (only 25% of battery capacity is required). 730 cycles have only a negligible influence in a battery degradation and can be ignored.

Result:

The battery shall be replaced after 2 years.

Please note that the battery degrading begins from the production date (check date code on the battery) which may shorten the replacement intervals.

Fig. 25-1 **Service life versus ambient temperatures, typ *)**

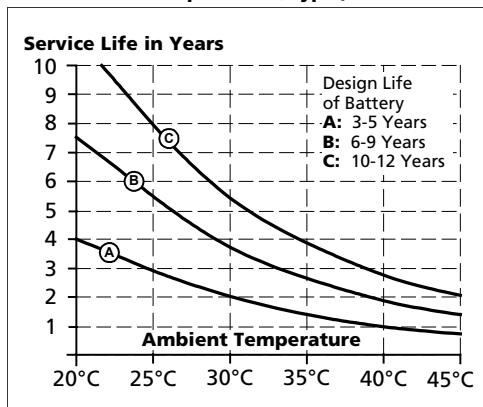
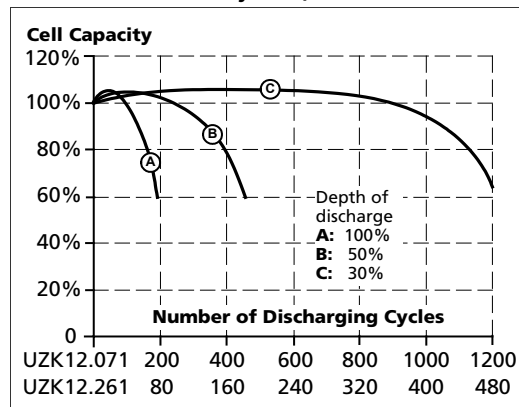


Fig. 25-2 **Cell capacity degradation vs. discharging cycles *)**



*) datasheet figures from battery manufacturer

25.2. PARALLEL AND SERIAL USE

Do not use the DC-UPS in parallel to increase the output power. However, two units of the DC-UPS can be paralleled for 1+1 redundancy to gain a higher system reliability.

Do not use batteries in parallel, since the battery quality test might create an error message.

Do not connect two or more units in series for higher output voltages.

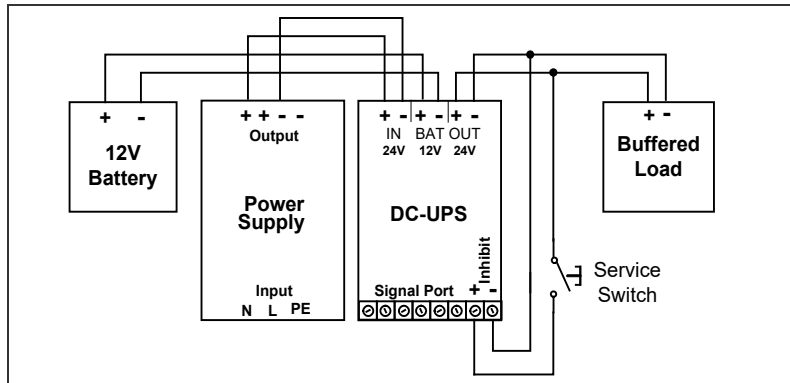
Do not connect two or more units in a row to get longer hold-up times.

25.3. USING THE INHIBIT INPUT

The inhibit input disables buffering. In normal mode, a static signal is required. In buffer mode, a signal with a minimum length of 250ms is required to stop buffering. The inhibit is stored and can be reset by cycling the input voltage.

For service purposes, the inhibit input can also be used to connect a service switch. Therefore, the inhibit signal can be supplied from the output of the DC-UPS.

Fig. 25-3 Wiring example for inhibit input



25.4. TROUBLESHOOTING

The LEDs on the front of the unit and relay contacts indicate about the actual or elapsed status of the DC-UPS. Please see also chapter 12.

The following guidelines provide instructions for fixing the most common failures and problems. Always start with the most likely and easiest-to-check condition. Some of the suggestions may require special safety precautions. See notes in chapter 23 first.

- “Check wiring” LED is on**
 - Check correct wiring between the battery and the DC-UPS
 - Check battery fuse. Is the battery fuse inserted or blown?
 - Check battery voltage (must be typically between 7.4V and 15.1V)
 - Check input voltage (must be typically between 22.8V and 30V)
 - Check battery polarity
- DC-UPS did not buffer**
 - Inhibit input was set
 - Battery did not have enough time to be charged and is still below the deep discharge protection limit.
- DC-UPS stopped buffering**
 - Buffer time limiter stopped buffering → set buffer time limiter to a higher value
 - Deep discharge protection stopped buffering → use a larger battery, or allow sufficient time for charging the battery
 - Output was overloaded or short circuit → reduce load
- Output has shut down**
 - Cycle the input power to reset the DC-UPS
 - Let DC-UPS cool down, over temperature protection might have triggered.
- DC-UPS constantly switches between normal mode and buffer mode**
 - The supplying source on the input is too small and can not deliver sufficient current
 - Use a larger power supply or reduce the output load