



Read this first!

English

Before operating this device, please read this manual thoroughly and retain this manual for future reference! This device may only be installed and put into operation by qualified personnel. If damage or malfunction should occur during operation, immediately turn power off and send device to the factory for inspection. The device does not contain serviceable parts. The information presented in this document is believed to be accurate and reliable and may change without notice. For any clarifications the English translation will be used.

WARNING Risk of electrical shock, fire, personal injury, or death:

- Turn power off before working on the device. Protect against inadvertent re-powering.
- Do not open, modify or repair the device.
- Do not touch during power-on and immediately after power-off. Hot surfaces may cause burns.

Vor Inbetriebnahme lesen!

Deutsch

Bitte lesen Sie diese Warnungen und Hinweise sorgfältig durch, bevor Sie das Gerät in Betrieb nehmen. Bewahren Sie die Anleitung zum Nachlesen auf. Das Gerät darf nur durch fachkundiges und qualifiziertes Personal installiert werden. Bei Funktionsstörungen oder Beschädigungen schalten Sie sofort die Versorgungsspannung ab und senden das Gerät zur Überprüfung ins Werk. Das Gerät beinhaltet keine Servicebauteile. Die angegebenen Daten dienen allein der Produktbeschreibung und sind nicht als zugesicherte Eigenschaften im Rechtssinne aufzufassen. Im Zweifelsfall gilt der englische Text.

WARNING Missachtung nachfolgender Punkte kann einen elektrischen Schlag, Brände, schwere Unfälle oder Tod zur Folge haben:

- Schalten Sie die Eingangsspannung vor Installations-, Wartungs- oder Änderungsarbeiten ab und sichern Sie diese gegen unbeabsichtigtes Wiedereinschalten.
- Führen Sie keine Änderungen oder Reparaturversuche am Gerät durch. Gerät nicht öffnen!
- Gehäuse nicht während des Betriebes oder kurz nach dem Abschalten berühren. Heiße Oberflächen können Verletzungen verursachen.

A lire avant mise sous tension!

Français

Veillez lire ces instructions de montage et d'entretien avant de mettre l'alimentation sous tension. Conservez ce manuel qui vous sera toujours utile. Cette alimentation ne doit être installée que par du personnel qualifié et compétent. En cas de dommage ou dysfonctionnement, coupez immédiatement la tension d'alimentation et retournez l'appareil à l'usine pour vérification. ! L'alimentation ne contient pas de pièces échangeables Les données indiquées dans ce document servent uniquement à donner une description du produit et n'ont aucune valeur juridique. En cas de divergences, le texte anglais fait foi.

AVERTISSEMENT Prendre en compte les points suivants, afin d'éviter toute détérioration électrique, incendie, dommage aux personnes ou mort:

- Mettre l'alimentation hors tension avant toute intervention sur celle-ci et s'assurer qu'il n'y a pas risque de redémarrage.
- Ne pas ouvrir, modifier ou réparer l'alimentation.
- Ne pas toucher le carter pendant le fonctionnement ou directement après la mise hors tension. Surface chaude risquant d'entraîner des blessures.

Lea primero!

Español

Conserve este manual como referencia para futuras consultas. La fuente de alimentación solo puede ser instalada y puesta en funcionamiento por personal cualificado. Por favor lea detenidamente este manual antes de conectar la fuente de alimentación. Si se produce un fallo o mal funcionamiento durante la operación, desconecte inmediatamente la tensión de alimentación. En ambos casos, el equipo debe ser inspeccionado en fábrica. La información presentada en este documento es exacta y fiable en cuanto a la descripción del producto y puede cambiar sin aviso. En casa de duda, prevalece el texto inglés.

ADVERTENCIA Riesgo de descarga eléctrica, incendio, accidente grave o muerte:

- Desconectar la tensión de red antes de trabajar en la fuente de alimentación. Evite una posible reconexión involuntaria.
- No realizar ninguna modificación o reparación de la unidad. No abrir la unidad.
- No tocar durante el funcionamiento ni inmediatamente después del apagado. El calor de la superficie puede causar quemaduras graves.

Leggere prima questa parte!

Italiano

Prima di collegare il sistema di alimentazione elettrica si prega di leggere attentamente le seguenti avvertenze. Conservare le istruzioni per la consultazione futura. Il sistema di alimentazione elettrica deve essere installato solo da personale competente e qualificato. Se durante il funzionamento si verificano anomalie o guasti, scollegare immediatamente la tensione di alimentazione. In entrambi i casi è necessario far controllare l'apparecchio dal produttore! I dati sono indicati solo a scopo descrittivo del prodotto e non vanno considerati come caratteristiche garantite dell'apparecchio. In caso di differenze o problemi è valido il testo inglese

AVVERTENZA Il mancato rispetto delle seguenti norme può provocare folgorazione elettrica, incendi, gravi incidenti e perfino la morte:

- Prima di eseguire interventi di installazione, di manutenzione o di modifica scollegare la tensione di rete ed adottare tutti i provvedimenti necessari per impedirne il ricollegamento non intenzionale.
- Non tentare di aprire, di modificare o di riparare da soli l'apparecchio.
- Non toccare quando acceso e subito dopo lo spegnimento. La superficie calda può causare scottature.

Leia primeiro!

Português

Recomendamos a leitura cuidadosa das seguintes advertências e observações, antes de colocar em funcionamento a fonte de alimentação. Guarde as Instruções para futura consulta, em casos de dúvida. A fonte de alimentação deverá ser instalada apenas por profissionais da área, tecnicamente qualificados. Se por acaso, durante a utilização ocorrer algum defeito de funcionamento ou dano, desligue imediatamente a tensão de alimentação. Em ambos os casos, será necessária uma verificação na Fábrica! Os dados mencionados têm como finalidade somente a descrição do produto, e não devem ser interpretados como propriedades garantidas no sentido jurídico. Em caso de dúvidas aplica-se o texto em inglês.

ATENÇÃO A não observância ou o incumprimento dos pontos a seguir mencionados, poderá causar uma descarga elétrica, incêndios, acidentes graves ou morte:

- Antes de trabalhos de instalação, manutenção ou modificação, desligue a tensão de alimentação, protegendo-a contra uma nova ligação involuntária.
- Não efectue nenhuma modificação ou tentativa de reparação no aparelho. Quando necessário contacte o seu distribuidor. Não abra o aparelho.
- Não tocar enquanto estiver em funcionamento, nem após a desligar. A superfície poderá estar quente e provocar lesões.

Product Description

The FPT500.481-008-103 is a stand-alone power supply for three-phase mains systems, which provides a stabilized and galvanically separated PELV/ES1 output voltage. The negative potential of the output is permanently connected to PE within the unit. The housing is rated as IP54 according IEC60529 and provides protection against electrical, mechanical and fire hazards.

Intended Use

This indoor use device is intended for commercial use, such as in industrial control, process control, monitoring, measurement or the like. Do not use this device in equipment, where malfunctioning may cause severe personal injury or threaten human life, without additional appropriate safety devices, that are suited for the end-application. If used in a manner outside of its specification, the protection provided by the device may be impaired.

Installation Instructions

Install the device with the terminals on the bottom of the device. Other mounting orientations require a reduction in output current. When installing watch out for the risk of injury from sharp edges and assure that when installed any sharp edges on the back cannot be accessed and cannot cause injury. The power supply is mounted on a bracket with 4 screws of size M4 (UNC 8-32). For mounting the bracket use screws of equal or higher strength.. The device is designed for pollution degree 2 areas in controlled environments. The enclosure of the device provides a degree of ingress protection of IP54 when installed with all mating connectors firmly connected and the cable end sealed in place. Assure that during installation no moisture or dirt gets into the connections. Operation in areas where moisture or condensation can be expected is possible.

The device is designed as "Class of Protection I" equipment according to IEC 61140. Do not use without a proper PE (Protective Earth) connection. For TN,TT mains systems with earthed neutral and IT star mains systems with insulation monitoring the device is designed for overvoltage category III zones up to 2000m (6560ft) and for overvoltage category II zones up to 5000m (16400ft). For TN, TT, IT delta mains systems or IT star mains systems without insulation monitoring the device is intended for overvoltage category II zones up to 2000m (6560ft).

The device is designed to be safe in case of a single phase loss and does not require an external protection.

The device is designed for convection cooling without a fan. Do not obstruct airflow. The device is designed for altitudes up to 5000m (16400ft). Above 2000m (6560ft) a reduction in output current is required and the operation is limited according the mains systems description above. Keep the following minimum installation clearances: 0mm on top, 30mm on the bottom, 15mm on the front and 0mm left and right.

The device is designed, tested and approved for branch circuits up to 20A (UL) and 32A (IEC) without additional protection device. If an external fuse is utilized, do not use circuit breakers smaller than 6A B- or C-characteristic to avoid a nuisance tripping of the circuit breaker.

Make sure that you only use plugs and cables rated for the device output current and the required temperature range. Follow all local and national codes for installation. Do not connect devices in parallel for higher output currents.

Do not connect the negative potential of the output to PE. The maximum permissible ambient air temperature is +70°C (+158°F). The operational temperature is the same as the ambient or ambient air temperature and is defined 2cm below the device. Cleaning only with a damp cloth.

Functional Description

The output is electronically protected against no-load, overload and short circuit and can supply any kind of loads, including inductive and capacitive loads. If capacitors with a capacitance >100mF are connected, the unit might charge the capacitor in an intermittent mode.

Internal Resistors are switched to the output when an external voltage rises the output to a level of 2V above the set voltage. Feed-back energy from a load must be below 40J per pulse and the power must be limited according datasheet. Depending on average output power and ambient temperature from 5.5W to 10.5W.

The green Status LED reports an output above 90% of the adjusted voltage of a running device and all three phase voltages are present.

The DC-OK contact is closed when the Status LED is green. Contact ratings: 60Vdc 0.3A, 30Vdc 1A, 30Vac 0.5A for resistive loads.

The device has an internal overtemperature protection. If the temperature is too high the output shuts down and starts automatically again after cooling off.

In case of an internal defect, a redundant circuit limits the maximum output voltage to 59V. The unit shuts down and automatically attempts to restart.

LED bargraph and push-buttons:

The LED bar normally displays the actual output power as percentage value. 100% equals an output power of 500W. LEDs up to and including 100% are green, the LEDs above 100% are orange. If you press the "Set Mode" button for 3 seconds all LEDs light up briefly and one LED stays on, showing the actual output voltage. With pressing the up or down button you can change the set voltage to the predefined values: 48V, 49V, 50V, 51V, 52V, 53V, 54V and 56V as printed aside the LEDs. The voltage is set immediately and the value stored until the next change. If no button is pressed for 15s the unit returns to the normal state and the LED bar will return to show the output power.

Mating connectors:

Use a Harting HANQ4/2 female plug to connect to the input voltage connector (X1). Pin assignment: Pin 1 for L1; Pin 2 for L2; Pin 3 for L3; Pin PE for PE. Use a standard M12 A-coded 5 pin female plug to connect to the DC OK signal connector (X2). Pin assignment: Pin 1 and Pin 4 for relay contact.

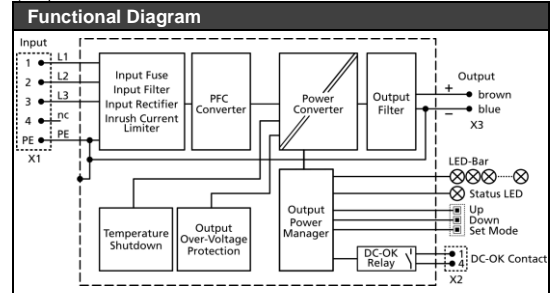
The output voltage is supplied via an open ended 1m ASI cable (X3) with wires of a cross section of 2.5mm². The brown wire is the positive output and the blue wire is the return.

Technical Data

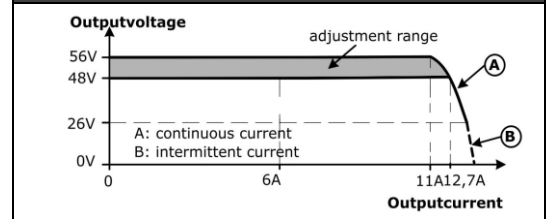
All values are typical figures specified at 3x 400Vac 50Hz input voltage, symmetrical phase voltages, 48V, 500W output load, 25°C ambient temperature and after a 5 minutes run-in time unless otherwise noted.

Output voltage	DC 48V	Nominal
Adjustment range	48 – 56Vdc	Factory setting 48V
Output power	Continuous:	
	600W	At +45°C ambient
	500W	At +55°C ambient
	350W	At +70°C ambient
	Short-term, up to 5s:	
	1000W	Below +55°C ambient
	700W	At +70°C ambient
	Derate linearly between +45°C and +70°C	
Input voltage AC	3AC 380 - 480V	±15%
Mains frequency	50 – 60Hz	±6%
Input current AC	0.8 / 0.66A	At 3x400 / 480Vac
Power factor	0.94 / 0.95	At 3x400 / 480Vac
Input inrush current	1.9 / 1.8A peak	At 3x400 / 480Vac, temp. independent
Efficiency	96.8 / 96.5% *)	At 3x400 / 480Vac
Losses	17.0 / 18.0W	At 3x400 / 480Vac
Hold-up time	24 / 24ms	At 3x400 / 480Vac
Temperature range	-25 to +70°C	
Size (WxHxD)	182x272x70mm	Without connectors
Weight	1550g / 3.4lb	

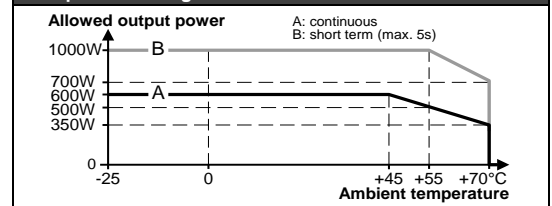
*) Output cable not included



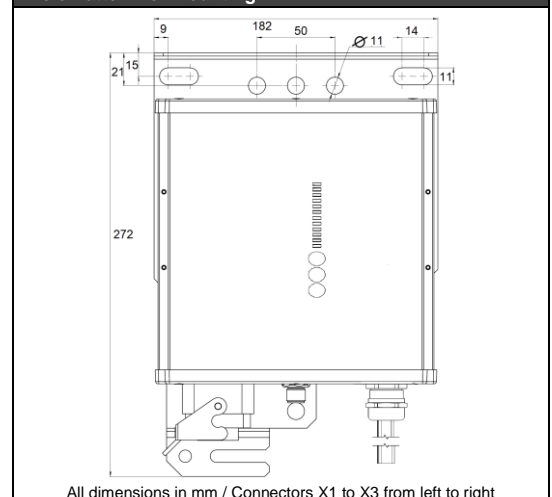
Output Characteristic



Temperature Range



Hole Pattern for Mounting



All dimensions in mm / Connectors X1 to X3 from left to right