

EN ZM1.UBC10 Installation Manual  
 DE ZM1.UBC10 Installationsanleitung  
 FR ZM1.UBC10 Manuel d'installation  
 ES ZM1.UBC10 Manual de instalación

Wall/Panel Mount Bracket  
 Wandmontageadapter  
 Kit de montage mural  
 Soporte de montaje en pared/panel



Doc. ID: PU-200.015.87-xxA (2019-01-10-MR1)

## Product Description

The ZM1.UBC10 is a mechanical accessory to mount a device on a flat surface or panel without utilizing a DIN-rail.

The order number ZM1.UBC10 contains one mounting bracket, four mounting screws (M5x8) and four 5mm spring-lock washers.

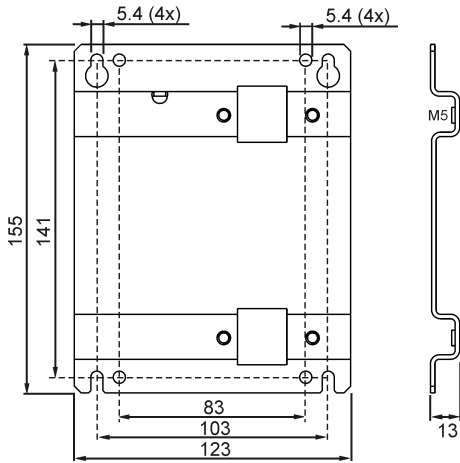
## Technical Data

Size (width x height x depth) 123x155x13mm  
 Weight 340g / 0.75lb

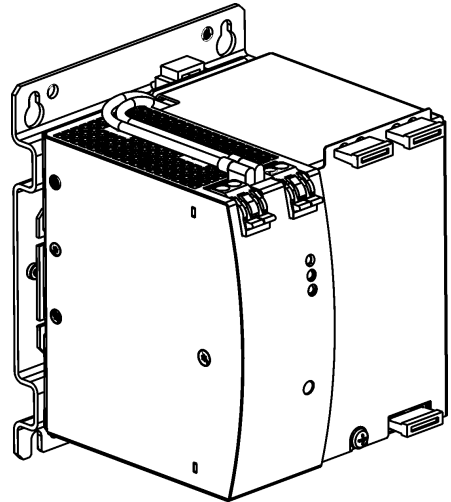
## Intended Use

This mechanical accessory is designed for DIN-rail devices. Check the product datasheet of the DIN-rail device to confirm that it is suitable for the desired device.

### Mechanical Dimensions



### Mounting Example



**Installation Instructions**

- 1) Put the unit backwards on a flat surface and remove the fuse before working on the unit.
- 2) Loosen the captive cover screw.
- 3) Open the battery compartment.
- 4) Remove the battery without disconnecting the connection wires.
- 5) Put the wall mount bracket behind the unit.
- 6) Screw the four screws and the four spring-lock washers, which were delivered with the mounting bracket, into the shown areas. Tightening torque: 3 Nm (27 lb inch)
- 7) Return the battery into the housing, close the battery compartment and insert the fuse again.

**Installation Instructions**