



### POWER SUPPLY

- AC 100-240V Wide-range Input
- Width only 32mm
- NEC Class 2 compliant
- Efficiency up to 89.8%
- Full Power between -25°C and +60°C
- 3 Year Warranty

### PRODUCT DESCRIPTION

The DIMENSION C-Line units are cost optimized power supplies without compromising quality, reliability and performance. The C-Line is part of the DIMENSION power supply family, existing alongside the high featured Q-Line.

The CS3.241 includes all the essential basic functions but also includes important features of small size, high efficiency, wide temperature range and is NEC Class 2 compliant.

The wide range input makes worldwide installation and usage very simple. Defects or system failures caused by wrongly set switches cannot occur.

High immunity to transients and power surges as well as low electromagnetic emission and a large international approval package for a variety of applications makes this unit suitable for nearly every situation.

### SHORT-FORM DATA

Output voltage	DC 24V	
Adjustment range	24 - 28V	
Output current	3.3 – 2.7A	below +60°C ambient
	2.5 – 2.1A	at +70°C ambient
	Derate between +60°C and +70°C	
Output power	80W	
Output ripple	max. 50mVpp	20Hz to 20MHz
AC Input voltage	AC 100-240V	±10%
		Wide-range input
Mains frequency	50-60Hz	±6%
AC Input current	1.23 / 0.68A	at 120 / 230Vac
DC Input voltage	DC 110-300V	-20 / +25%
DC Input current	0.81 / 0.29A	at 110 / 300Vdc
Power factor	0.61 / 0.56	at 120 / 230Vac
AC Inrush current	23 / 45A peak	at 120 / 230Vac
Efficiency	88.0 / 89.8%	at 120 / 230Vac
Losses	11.1 / 9.1W	at 120 / 230Vac
Temperature range	-25°C to +70°C	operational
Hold-up time	29 / 120ms	at 120 / 230Vac
Dimensions	32x124x102mm	WxHxD
Weight	430g	

### ORDER NUMBERS

Power Supply	<b>CS3.241</b>	24-28V Standard unit
Accessory	ZM1.WALL	Wall mount bracket
	ZM11.SIDE	Side mount bracket
	YRM2.DIODE	Redundancy module

### MAIN APPROVALS

For details and the complete approval list, see chapter 18.



UL 508



UL 60950-1



Class I Div 2



Marine

### INDEX

	Page		Page
1. Intended Use .....	3	20. Physical Dimensions and Weight .....	20
2. Installation Requirements .....	3	21. Accessories.....	21
3. AC-Input .....	5	21.1. ZM1.WALL - Wall Mounting Bracket .....	21
4. DC-Input .....	6	21.2. ZM11.SIDE - Side Mounting Bracket.....	21
5. Input Inrush Current.....	7	21.3. Redundancy Modules.....	22
6. Output.....	8	22. Application Notes.....	23
7. Hold-up Time.....	9	22.1. Peak Current Capability.....	23
8. Efficiency and Power Losses.....	10	22.2. Back-feeding Loads .....	23
9. Lifetime Expectancy and MTBF .....	11	22.3. External Input Protection .....	24
10. Functional Diagram .....	11	22.4. Parallel Use to Increase Output Power .....	24
11. Terminals and Wiring .....	12	22.5. Parallel Use for Redundancy .....	24
12. Front Side and User Elements .....	13	22.6. Charging of Batteries.....	24
13. EMC .....	14	22.7. Series Operation.....	25
14. Environment.....	15	22.8. Inductive and Capacitive Loads .....	25
15. Protection Features.....	16	22.9. Operation on Two Phases .....	25
16. Safety Features.....	16	22.10. Use in a Tightly Sealed Enclosure .....	25
17. Dielectric Strength.....	17	22.11. Mounting Orientations.....	26
18. Approved, Fulfilled or Tested Standards .....	18		
19. Regulatory Product Compliance.....	19		

The information presented in this document is believed to be accurate and reliable and may change without notice.  
 No part of this document may be reproduced or utilized in any form without permission in writing from the publisher.

### TERMINOLOGY, ABBREVIATIONS AND DEFINITIONS

<b>PE and <math>\oplus</math> symbol</b>	PE is the abbreviation for <b>Protective Earth</b> and has the same meaning as the symbol $\oplus$ .
<b>Earth, Ground</b>	This document uses the term "earth" which is the same as the U.S. term "ground".
<b>t.b.d.</b>	To be defined, value or description will follow later.
<b>AC 230V</b>	A figure displayed with the AC or DC before the value represents a nominal voltage with standard tolerances (usually $\pm 15\%$ ) included. E.g.: DC 12V describes a 12V battery disregarding whether it is full (13.7V) or flat (10V)
<b>230Vac</b>	A figure with the unit (Vac) at the end is a momentary figure without any additional tolerances included.
<b>50Hz vs. 60Hz</b>	As long as not otherwise stated, AC 100V and AC 230V parameters are valid at 50Hz mains frequency. AC 120V parameters are valid for 60Hz mains frequency.
<b>may</b>	A key word indicating flexibility of choice with no implied preference.
<b>shall</b>	A key word indicating a mandatory requirement.
<b>should</b>	A key word indicating flexibility of choice with a strongly preferred implementation.

## 1. INTENDED USE

This device is designed for installation in an enclosure and is intended for commercial use, such as in industrial control, process control, monitoring, measurement equipment or the like.

Do not use this device in equipment, where malfunctioning may cause severe personal injury or threaten human life without additional appropriate safety devices, that are suited for the end-application.

If this device is used in a manner outside of its specification, the protection provided by the device may be impaired.

## 2. INSTALLATION INSTRUCTIONS

### **WARNING** Risk of electrical shock, fire, personal injury or death.

- Turn power off before working on the device and protect against inadvertent re-powering.
- Do not open, modify or repair the device.
- Use caution to prevent any foreign objects from entering into the housing.
- Do not use in wet locations or in areas where moisture or condensation can be expected.
- Do not touch during power-on, and immediately after power-off. Hot surface may cause burns.

Obey the following installation instructions:

This device may only be installed and put into operation by qualified personnel.

This device does not contain serviceable parts. The tripping of an internal fuse is caused by an internal defect.

If damage or malfunction should occur during installation or operation, immediately turn power off and send unit to the factory for inspection.

Install device in an enclosure providing protection against electrical, mechanical and fire hazards.

Install the device onto a DIN rail according to EN 60715 with the input terminals on the bottom of the device. Other mounting orientations require a reduction in output current.

Make sure that the wiring is correct by following all local and national codes. Use appropriate copper cables that are designed for a minimum operating temperature of 60°C for ambient temperatures up to +45°C, 75°C for ambient temperatures up to +60°C and 90°C for ambient temperatures up to +70°C.

Ensure that all strands of a stranded wire enter the terminal connection. Use ferrules for wires on the input terminals. Unused screw terminals should be securely tightened.

The device is designed for pollution degree 2 areas in controlled environments. No condensation or frost is allowed.

The enclosure of the device provides a degree of protection of IP20. The housing does not provide protection against spilled liquids.

The device is designed for overvoltage category II zones. Below 2000m altitude the device is tested for impulse withstand voltages up to 4kV, which corresponds to OVC III according to IEC 60664-1.

The device is designed as "Class of Protection I" equipment according to IEC 61140. Do not use without a proper PE (Protective Earth) connection.

The device is suitable to be supplied from TN, TT and IT mains networks. The continuous voltage between the input terminals and the PE potential must not exceed 264Vac.

The input can also be powered from batteries or similar DC sources. The continuous voltage between the supply voltage and the PE/ground potential must not exceed 375Vdc.

A disconnecting means shall be provided for the input of the device.

The device is designed for convection cooling and does not require an external fan. Do not obstruct airflow and do not cover ventilation grid!

The device is designed for altitudes up to 5000m. Above 2000m a reduction in output current is required.

Keep the following minimum installation clearances: 40mm on top, 20mm on the bottom, 5mm left and right side. Increase the 5mm to 15mm in case the adjacent device is a heat source. When the device is permanently loaded with less than 50%, the 5mm can be reduced to zero.

The device is designed, tested and approved for branch circuits up to 20A without additional protection device. If an external fuse is utilized, do not use circuit breakers smaller than 10A B- or 6A C-Characteristic to avoid a nuisance tripping of the circuit breaker.

The maximum surrounding air temperature is +70°C.

The operational temperature is the same as the ambient or surrounding air temperature and is defined 2cm below the device.

The device is designed to operate in areas between 5% and 95% relative humidity.

### **Installation Instructions for Hazardous Location Areas**

The device is suitable for use in Class I Division 2 Groups A, B, C, D locations.

Substitution of components may impair suitability for this environment.

Do not disconnect the device or operate the voltage adjustment unless power has been switched off or the area is known to be non-hazardous.

### 3. AC-INPUT

AC input	nom.	AC 100-240V	±10%, Wide-range input
Mains network systems		TN, TT or IT	
AC input range		90-264Vac 85-90Vac 264-300Vac	short-term or with reduced output current max. 500ms
Allowed voltage L or N to earth	max.	300Vac	continuous, IEC 62103
Input frequency	nom.	50–60Hz	±6%
Turn-on voltage	typ.	75Vac	steady-state value, see Fig. 3-1
Shut-down voltage	typ.	58Vac	steady-state value, see Fig. 3-1
External input protection	See recommendations in chapter 22.3.		

		AC 100V	AC 120V	AC 230V	
Input current	typ.	1.48A	1.23A	0.68A	at 24V, 3.3A, see Fig. 3-3
Power factor*)	typ.	0.62	0.61	0.56	at 24V, 3.3A, see Fig. 3-4
Crest factor**)	typ.	3.1	3.2	4.0	at 24V, 3.3A
Start-up delay	typ.	95ms	95ms	95ms	see Fig. 3-2
Rise time	typ.	18ms	29ms	56ms	at 24V, 3.3A const. current load, 0mF load capacitance, see Fig. 3-2
	typ.	35ms	52ms	92ms	at 24V, 3.3A const. current load, 3.3mF load capacitance
Turn-on overshoot	max.	400mV	400mV	400mV	see Fig. 3-2

\*) The power factor is the ratio of the true (or real) power to the apparent power in an AC circuit.

\*\*\*) The crest factor is the mathematical ratio of the peak value to RMS value of the input current waveform.

Fig. 3-1 Input voltage ranges

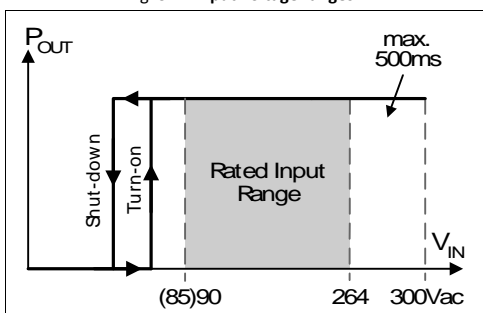


Fig. 3-2 Turn-on behavior, definitions

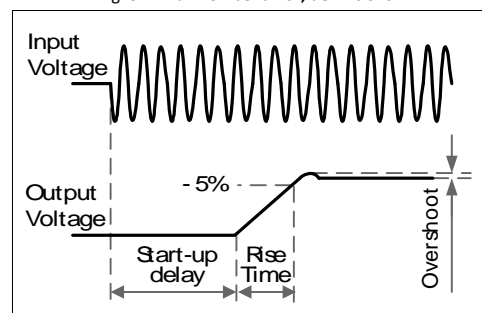


Fig. 3-3 Input current vs. output load at 24V

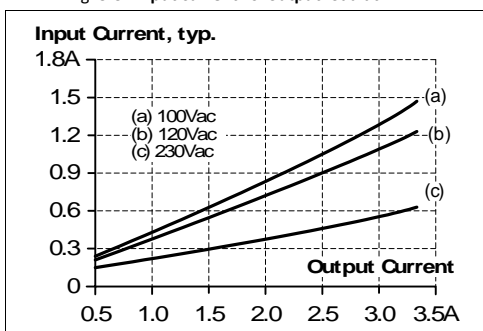
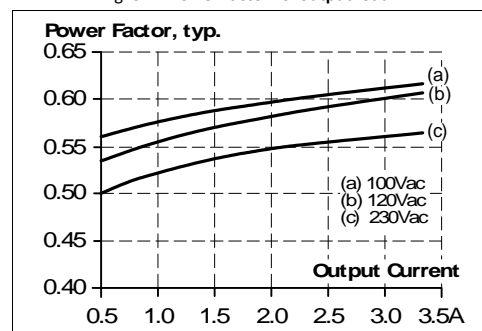


Fig. 3-4 Power factor vs. output load



### 4. DC-INPUT

The power supply can be supplied with an AC or DC input voltage.

**Instructions for DC-use:**

- a) Use a battery or a similar DC source. A supply from the intermediate DC-bus of a frequency converter is not recommended and can cause a malfunction or damage the unit.
- b) Connect +pole to L and -pole to N.
- c) Connect the PE terminal to an earth wire or to the machine ground.

DC input	nom.	DC 110-300V	-20% / +25%
DC input range		88-375Vdc	observe reduced output current below 100Vdc, see Fig. 4-2.
DC input current	typ.	0.81A / 0.29A	at 110Vdc / 300Vdc
Allowed Voltage L/N to Earth	max.	375Vdc	continuous, IEC 62103
Turn-on voltage	typ.	103Vdc	steady state value
Shut-down voltage	typ.	50Vdc	steady state value

Fig. 4-1 Wiring for DC Input

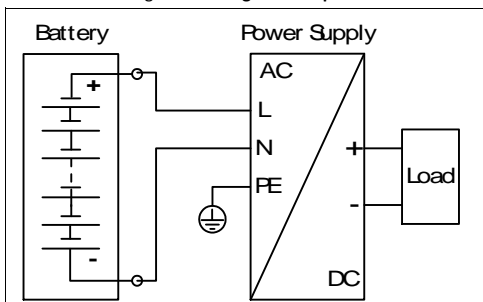
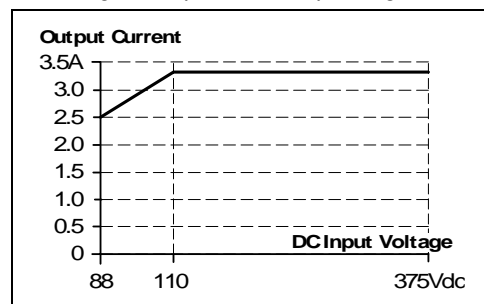


Fig. 4-2 Output current vs. input voltage



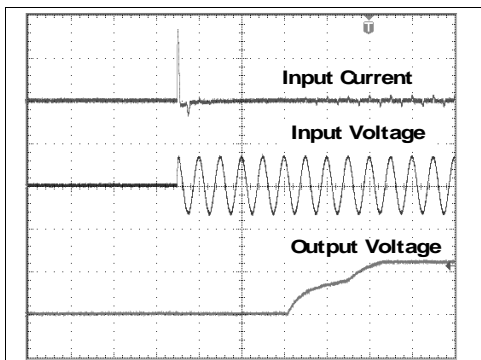
### 5. INPUT INRUSH CURRENT

After turn-on of the input voltage, an active inrush limitation circuit limits the input inrush current. Virtually no input inrush current is generated.

The charging current into the EMI suppression capacitors is disregarded in the first microseconds after switch-on.

		AC 100V	AC 120V	AC 230V	
Inrush current	max.	24A <sub>peak</sub>	28A <sub>peak</sub>	54A <sub>peak</sub>	at +40°C ambient, cold start
	typ.	14A <sub>peak</sub>	16A <sub>peak</sub>	32A <sub>peak</sub>	at +25°C ambient, cold start
	typ.	20A <sub>peak</sub>	23A <sub>peak</sub>	45A <sub>peak</sub>	at +40°C ambient, cold start
Inrush energy	max.	0.4A <sup>2</sup> s	0.5A <sup>2</sup> s	1.7A <sup>2</sup> s	at +40°C ambient, cold start

Fig. 5-1 Typical input inrush current behavior



Input: 230Vac  
 Output: 24V, 3.3A  
 Ambient: 25°C

Upper curve: Input current (20A / DIV)  
 Medium curve: Input voltage (500V / DIV)  
 Lower curve: Output voltage (20V / DIV)  
 Time scale: 40ms / DIV

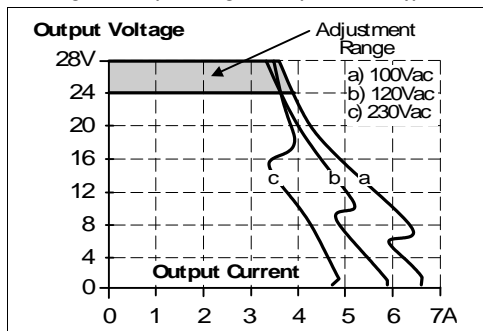
### 6. OUTPUT

Output voltage	nom.	24V	
Adjustment range		24-28V	guaranteed
	max.	30V**)	at clockwise end position of potentiometer
Factory settings	typ.	24.1V	±0.2%, at full load, cold unit,
Line regulation	max.	50mV	90-300Vac
Load regulation	max.	100mV	static value, 0A → 3.3A; see Fig. 6-1
Ripple and noise voltage	max.	50mVpp	20Hz to 20MHz, 500hm
Output current	nom.	3.3A	at 24V, ambient temperature <60°C, see Fig. 6-1
	nom.	2.5A	at 24V and 70°C ambient temperature
	nom.	2.7A	at 28V, ambient temperature <60°C, see Fig. 6-1
	nom.	2.1A	at 28V and 70°C ambient temperature
Reduce output current linearly between +60°C and +70°C			
Output power	nom.	80W	continuously available
Overload behavior		continuous current	see Fig. 6-1
Short-circuit current	min.	4A*)	load impedance <250mOhm, see Fig. 6-1
	max.	8A*)	load impedance <250mOhm, see Fig. 6-1
Output capacitance	typ.	1 450µF	included inside the power supply

\*) Discharge current of output capacitors is not included.

\*\*\*) This is the maximum output voltage which can occur at the clockwise end position of the potentiometer due to tolerances. It is not a guaranteed value which can be achieved. The typical value is about 28.5V.

Fig. 6-1 Output voltage vs. output current, typ.





## 7. HOLD-UP TIME

		AC 100V	AC 120V	AC 230V	
Hold-up Time	typ.	38ms	60ms	244ms	at 24V, 1.65A, see Fig. 7-1
	min.	29ms	45ms	200ms	at 24V, 1.65A, see Fig. 7-1
	typ.	19ms	29ms	120ms	at 24V, 3.3A, see Fig. 7-1
	min.	15ms	23ms	95ms	at 24V, 3.3A, see Fig. 7-1

Fig. 7-1 Hold-up time vs. input voltage

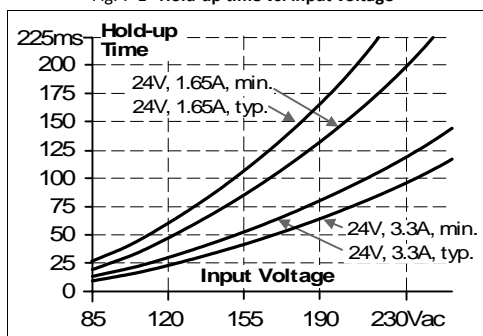
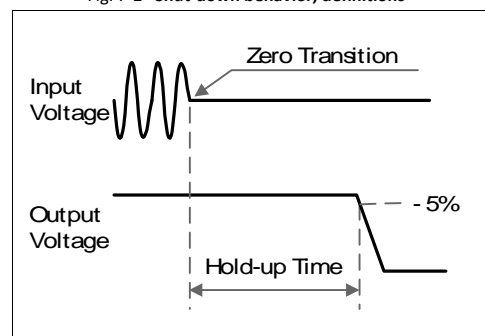


Fig. 7-2 Shut-down behavior, definitions



Note: At no load, the hold-up time can be up to several seconds. The green DC-OK LED is on during this time.

## 8. EFFICIENCY AND POWER LOSSES

		AC 100V	AC 120V	AC 230V	
Efficiency	typ.	86.4%	88.0%	89.8%	at 24V, 3.3A
Average efficiency*)	typ.	87.4%	88.4%	87.7%	25% at 0.83A, 25% at 1.65A, 25% at 2.5A, 25% at 3.3A
Power losses	typ.	1.0W	1.1W	1.8W	at 24V, 0A
	typ.	5.4W	4.9W	5.9W	at 24V, 1.65A
	typ.	12.5W	11.1W	9.1W	at 24V, 3.3A

\*) The average efficiency is an assumption for a typical application where the power supply is loaded with 25% of the nominal load for 25% of the time, 50% of the nominal load for another 25% of the time, 75% of the nominal load for another 25% of the time and with 100% of the nominal load for the rest of the time.

Fig. 8-1 Efficiency vs. output current at 24V, typ.

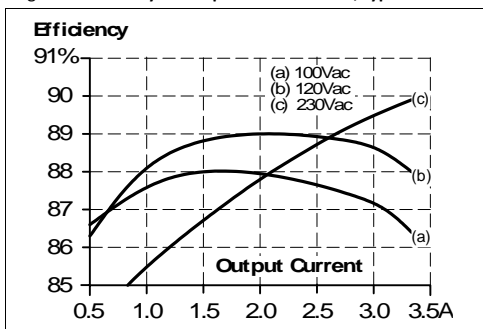


Fig. 8-2 Losses vs. output current at 24V, typ.

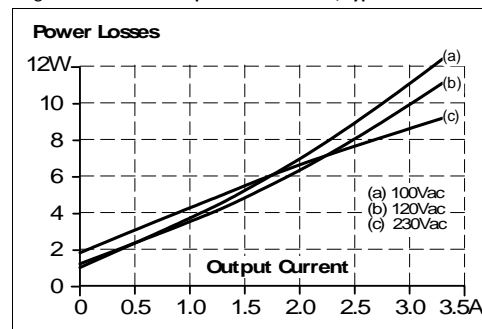


Fig. 8-3 Efficiency vs. input voltage at 24V, 3.3A, typ.

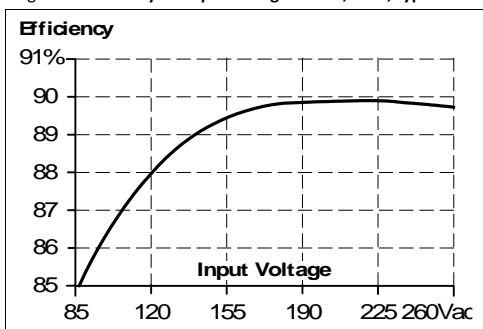
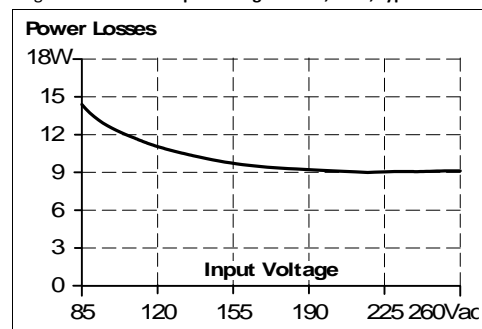


Fig. 8-4 Losses vs. input voltage at 24V, 3.3A, typ.



### 9. LIFETIME EXPECTANCY AND MTBF

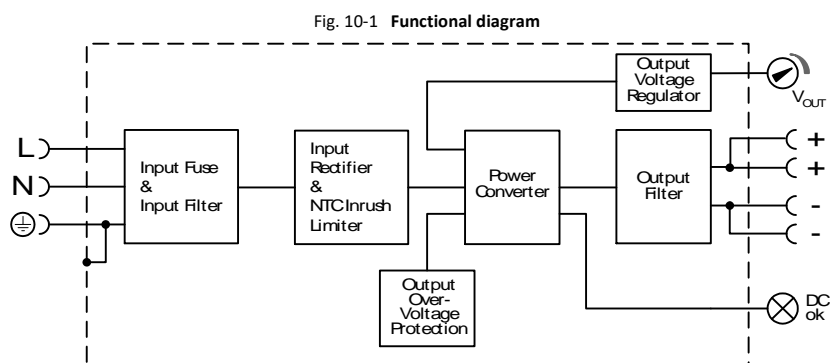
	AC 100V	AC 120V	AC 230V	
Lifetime expectancy <sup>*)</sup>	98 000h	106 000h	120 000h	at 24V, 1.65A and 40°C
	277 000h <sup>*)</sup>	300 000h <sup>*)</sup>	338 000h <sup>*)</sup>	at 24V, 1.65A and 25°C
	57 000h	64 000h	77 000h	at 24V, 3.3A and 40°C
	160 000h <sup>*)</sup>	180 000h <sup>*)</sup>	218 000h <sup>*)</sup>	at 24V, 3.3A and 25°C
MTBF <sup>**) SN 29500, IEC 61709</sup>	1 788 000h	1 901 000h	2 243 000h	at 24V, 3.3A and 40°C
	3 131 000h	3 287 000h	3 796 000h	at 24V, 3.3A and 25°C
MTBF <sup>**) MIL HDBK 217F</sup>	849 000h	854 000h	886 000h	at 24V, 3.3A and 40°C; Ground Benign GB40
	1 088 000h	1 095 000h	1 153 000h	at 24V, 3.3A and 25°C; Ground Benign GB25
	195 000h	196 000h	214 000h	at 24V, 3.3A and 40°C; Ground Fixed GF40
	246 000h	246 000h	272 000h	at 24V, 3.3A and 25°C; Ground Fixed GF25

\*) The **Lifetime expectancy** shown in the table indicates the minimum operating hours (service life) and is determined by the lifetime expectancy of the built-in electrolytic capacitors. Lifetime expectancy is specified in operational hours and is calculated according to the capacitor’s manufacturer specification. The manufacturer of the electrolytic capacitors only guarantees a maximum life of up to 15 years (131 400h). Any number exceeding this value is a calculated theoretical lifetime which can be used to compare devices.

\*\*) **MTBF** stands for **Mean Time Between Failure**, which is calculated according to statistical device failures, and indicates reliability of a device. It is the statistical representation of the likelihood of a unit to fail and does not necessarily represent the life of a product.

The MTBF figure is a statistical representation of the likelihood of a device to fail. A MTBF figure of e.g. 1 000 000h means that statistically one unit will fail every 100 hours if 10 000 units are installed in the field. However, it can not be determined if the failed unit has been running for 50 000h or only for 100h.

### 10. FUNCTIONAL DIAGRAM



## 11. TERMINALS AND WIRING

The terminals are IP20 Finger safe constructed and suitable for field- and factory wiring.

Type	Screw terminals
Solid wire	0.5-6mm <sup>2</sup>
Stranded wire	0.5-4mm <sup>2</sup>
American Wire Gauge	AWG20-10
Max. wire diameter	2.8mm (including ferrules)
Wire stripping length	7mm
Screwdriver	3.5mm slotted or cross-head No 2
Recommended tightening torque	1Nm
Pull-out force	according to UL 486E

### Instructions:

- a) Use appropriate copper cables that are designed for minimum operating temperatures of:  
 60°C for ambient up to 45°C and  
 75°C for ambient up to 60°C minimum  
 90°C for ambient up to 70°C minimum.
- b) Follow national installation codes and installation regulations!
- c) Ensure that all strands of a stranded wire enter the terminal connection!
- d) Do not use the unit without PE connection.
- e) Unused terminal compartments should be securely tightened.
- f) Ferrules are allowed.

## 12. FRONT SIDE AND USER ELEMENTS

Fig. 12-1 Front side



**A Input Terminals** (screw terminals)

- N, L** Line input
- $\oplus$  PE (Protective Earth) input

**B Output Terminals** (screw terminals, two pins per pole)

- +** Positive output
- Negative (return) output

**C Output voltage potentiometer**

Open the flap to adjust the output voltage. Factory set: 24.1V

**D DC-OK LED** (green)

On, when the voltage on the output terminals is >21V

### 13. EMC

The power supply is suitable for applications in industrial environment as well as in residential, commercial and light industry environment.

A detailed EMC report is available on request.

<b>EMC Immunity</b>	According generic standards: EN 61000-6-1 and EN 61000-6-2			
Electrostatic discharge	EN 61000-4-2	contact discharge	8kV	Criterion A
		air discharge	15kV	Criterion A
Electromagnetic RF field	EN 61000-4-3	80MHz-2.7GHz	10V/m	Criterion A
Fast transients (Burst)	EN 61000-4-4	input lines	4kV	Criterion A
		output lines	2kV	Criterion A
Surge voltage on input	EN 61000-4-5	L → N	2kV	Criterion A
		L → PE, N → PE	4kV	Criterion A
Surge voltage on output	EN 61000-4-5	+ → -	500V	Criterion A
		+ / - → PE	1kV	Criterion A
Conducted disturbance	EN 61000-4-6	0.15-80MHz	10V	Criterion A
Mains voltage dips	EN 61000-4-11	0% of 100Vac	0Vac, 20ms	Criterion B *)
		40% of 100Vac	40Vac, 200ms	Criterion C
		70% of 100Vac	70Vac, 500ms	Criterion A
		0% of 200Vac	0Vac, 20ms	Criterion A
		40% of 200Vac	80Vac, 200ms	Criterion A
70% of 200Vac	140Vac, 500ms	Criterion A		
Voltage interruptions	EN 61000-4-11		5000ms	Criterion C
Powerful transients	VDE 0160	over entire load range	750V, 1.3ms	Criterion A

**Criteria:**

- A:** Power supply shows normal operation behavior within the defined limits.
- B:** Temporary voltage dips possible. No change in operation mode.
- C:** Temporary loss of function is possible. Power supply may shut-down and restarts by itself. No damage or hazards for the power supply will occur.
- \*):** Criterion A is fulfilled below 2.8A output current

<b>EMC Emission</b>	According generic standards: EN 61000-6-3, EN 61000-6-4		
Conducted emission input lines	EN 55011, EN 55032, FCC Part 15, CISPR 11, CISPR 32		Class B
Conducted emission output lines**)	IEC/CISPR 16-1-2, IEC/CISPR 16-2-1		limits for DC power port according EN 61000-6-3 not fulfilled
Radiated emission	EN 55011, EN 55032		Class B
Harmonic input current	EN 61000-3-2		fulfilled
Voltage fluctuations, flicker	EN 61000-3-3		fulfilled*)

This device complies with FCC Part 15 rules.

Operation is subjected to following two conditions: (1) this device may not cause harmful interference, and (2) this device must accept any interference received, including interference that may cause undesired operation.

- \*)** tested with constant current loads, non pulsing
- \*\*)** for information only, not mandatory for EN 61000-6-3

<b>Switching frequency</b>	50kHz to 450kHz	Main converter, input voltage and load dependent
----------------------------	-----------------	--

### 14. ENVIRONMENT

Operational temperature*)	-25°C to +70°C	reduce output power according Fig. 14-1
Storage temperature	-40°C to +85°C	for storage and transportation
Output derating	1.8W/°C	60°C to 70°C
Humidity**)	5 to 95% r.h.	IEC 60068-2-30
Vibration sinusoidal	2-17.8Hz: ±1.6mm; 17.8-500Hz: 2g***) 2 hours / axis***)	IEC 60068-2-6
Shock	30g 6ms, 20g 11ms***) 3 bumps / direction, 18 bumps in total	IEC 60068-2-27
Altitude	0 to 2000m 2000 to 6000m	without any restrictions reduce output power or ambient temperature, see Fig. 14-2 IEC 62103, EN 50178, overvoltage category II
Altitude derating	5W/1000m or 5°C/1000m	> 2000m, see Fig. 14-2
Over-voltage category	III II	IEC 62103, EN 50178, altitudes up to 2000m altitudes from 2000m to 6000m
Degree of pollution	2	IEC 62103, EN 50178, not conductive

\*) Operational temperature is the same as the ambient or surrounding temperature and is defined as the air temperature 2cm below the unit.

\*\*\*) Do not energize while condensation is present

\*\*\*) Tested in combination with DIN rails according to EN 60715 with a height of 15mm and a thickness of 1.3mm and standard orientation.

Fig. 14-1 Output current vs. ambient temp.

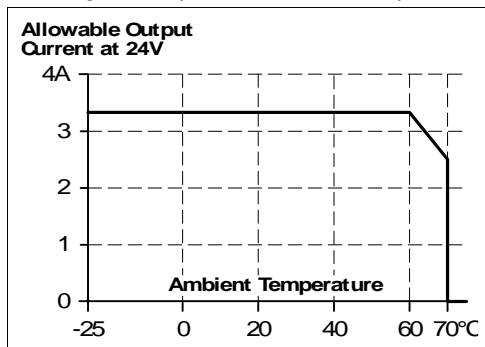
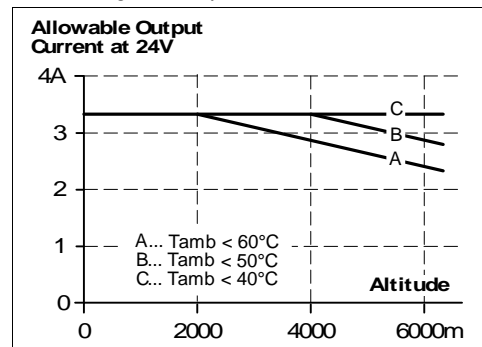


Fig. 14-2 Output current vs. altitude



### 15. PROTECTION FEATURES

Output protection	Electronically protected against overload, no-load and short-circuits <sup>*)</sup>	
Output over-voltage protection	typ. 34Vdc max. 39Vdc	In case of an internal power supply defect, a redundant circuit limits the maximum output voltage. The output shuts down and automatically attempts to restart.
Degree of protection	IP 20	EN/IEC 60529 Caution: For use in a controlled environment according to CSA 22.2 No 107.1-01.
Penetration protection	> 3.5mm	e.g. screws, small parts
Over-temperature protection	no	
Input transient protection	MOV (Metal Oxide Varistor)	
Internal input fuse	included	not user replaceable

\*) In case of a protection event, audible noise may occur.

### 16. SAFETY FEATURES

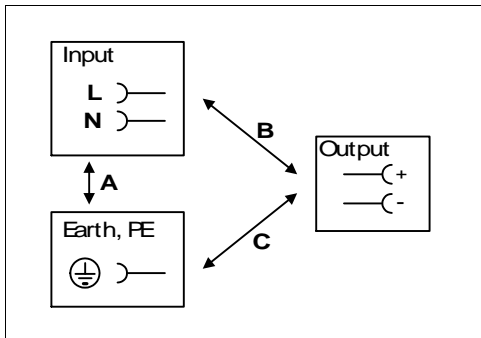
Input / output separation <sup>*)</sup>	SELV PELV double or reinforced insulation	IEC/EN 60950-1 IEC/EN 60204-1, EN 50178, IEC 62103, IEC 60364-4-41
Class of protection	I	PE (Protective Earth) connection required
Isolation resistance	> 5MΩ	input to output, 500Vdc
PE resistance	< 0.10Ω	between housing and PE terminal
Touch current (leakage current)	typ. 0.16mA / 0.35mA typ. 0.24mA / 0.52mA typ. 0.41mA / 0.85mA max. 0.22mA / 0.43mA max. 0.32mA / 0.63mA max. 0.57mA / 1.08mA	100Vac, 50Hz, TN-,TT-mains / IT-mains 120Vac, 60Hz, TN-,TT-mains / IT-mains 230Vac, 50Hz, TN-,TT-mains / IT-mains 110Vac, 50Hz, TN-,TT-mains / IT-mains 132Vac, 60Hz, TN-,TT-mains / IT-mains 264Vac, 50Hz, TN-,TT-mains / IT-mains



### 17. DIELECTRIC STRENGTH

The output voltage is floating and has no ohmic connection to the ground. Type and factory tests are conducted by the manufacturer. Field tests may be conducted in the field using the appropriate test equipment which applies the voltage with a slow ramp (2s up and 2s down). Connect all input-terminals together as well as all output poles before conducting the test. When testing, set the cut-off current settings to the value in the table below.

Fig. 17-1 Dielectric strength



		A	B	C
Type test	60s	2500Vac	3000Vac	500Vac
Factory test	5s	2500Vac	2500Vac	500Vac
Field test	5s	2000Vac	2000Vac	500Vac
Cut-off current setting		> 10mA	> 10mA	> 10mA

To fulfil the PELV requirements according to EN60204-1 § 6.4.1, we recommend that either the + pole, the – pole or any other part of the output circuit shall be connected to the protective earth system. This helps to avoid situations in which a load starts unexpectedly or can not be switched off when unnoticed earth faults occur.

### 18. APPROVED, FULFILLED OR TESTED STANDARDS

UL 508		UL Certificate Listed equipment for category NMTR - Industrial Control Equipment Applicable for US and Canada E-File: E198865
IEC 61010-2-201	<b>Safety</b> ✓	Manufacturer's Declaration Electrical Equipment for Measurement, Control and Laboratory Use - Particular requirements for control equipment
IEC 60950-1	<b>CB Report</b>	CB Scheme Certificate General safety requirements for Information Technology Equipment (ITE)
UL 60950-1		UL Certificate Recognized component for category QQQQ - Information Technology Equipment (ITE) Applicable for US and Canada E-File: E137006
Class I Div 2		CSA Certificate Power Supplies for Hazardous Location Applicable for Canada and US CSA Class: 5318-01 (Canada), 5318-81 (USA) Temperature Code: T3 Groups: A, B, C and D
Marine (DNV)		DNV Certificate DNV Type approved product Certificate: TAA00001ST Temperature: Class B Humidity: Class B Vibration: Class C EMC: Class A Enclosure: Class A
NEC Class 2	<b>NEC CLASS 2</b>	Manufacturer's Declaration NEC Class 2 - Limited Power Source Listed device according to NEC Handbook chapter 725-121
ISA-71.04 G3	<b>Corrosion</b> G3-ISA-71.04 ✓	Manufacturer's Declaration (Online Document) Airborne Contaminants Corrosion Test Severity Level: G3 Harsh H2S: 100ppb NOx: 1250ppb Cl2: 20ppb SO2: 300ppb Test Duration: 3 weeks, which simulates a service life of at least 10 years.
VDMA 24364	<b>LABS</b> VDMA 24364-C1-L/W	Paint Wetting Impairment Substances Test (or LABS-Test) Tested for Zone 2 and test class C1 according to VDMA 24364-C1-L/W for solvents and water-based paints

### 19. REGULATORY PRODUCT COMPLIANCE

EU Declaration of Conformity



The CE mark indicates conformance with the

- EMC directive
- Low-voltage directive
- RoHS directive

REACH Regulation (EU)



Manufacturer's Declaration

EU regulation regarding the Registration, Evaluation, Authorisation and Restriction of Chemicals (REACH) fulfilled.  
EU Regulation (EC) 1907/2006.

WEEE Regulation



Manufacturer's Declaration

EU Regulation on Waste Electrical and Electronic Equipment  
Registered as business to business (B2B) products.  
EU Regulation 2012/19/EU

UKCA



UKCA Declaration of Conformity

Trade conformity assessment for England, Scotland and Wales  
The UKCA mark indicates conformity with the UK Statutory  
Instruments  
2016 No.1101,  
2016 No.1091,  
2012 No.3032

### 20. PHYSICAL DIMENSIONS AND WEIGHT

Width	32mm
Height	124mm
Depth	102mm
	The DIN rail depth must be added to the unit depth to calculate the total required installation depth.
Weight	430g
DIN rail	Use 35mm DIN rails according to EN 60715 or EN 50022 with a height of 7.5 or 15mm.
Housing material	Body: Aluminium alloy Cover: Zinc-plated steel
Installation clearances	See chapter 2

Fig. 20-1 Front view

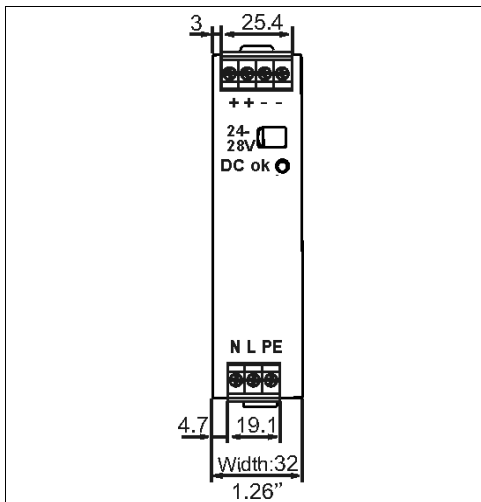
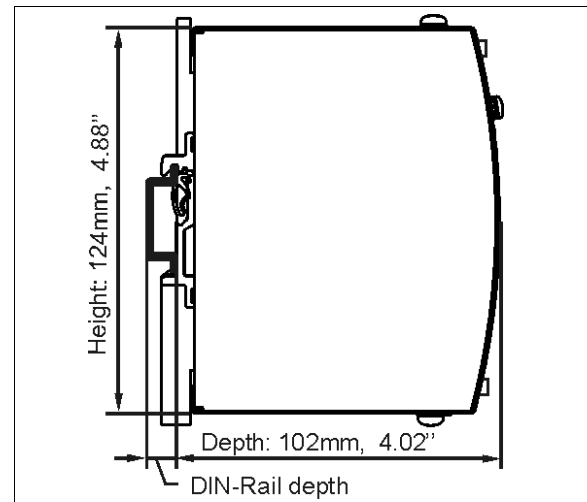


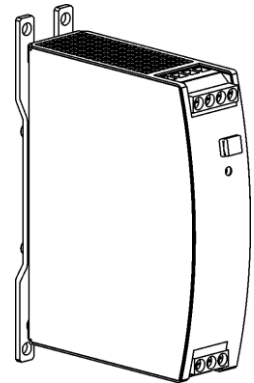
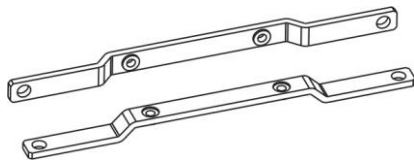
Fig. 20-2 Side view



## 21. ACCESSORIES

### 21.1. ZM1.WALL - WALL MOUNTING BRACKET

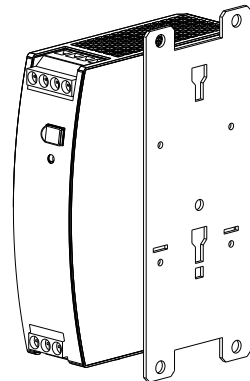
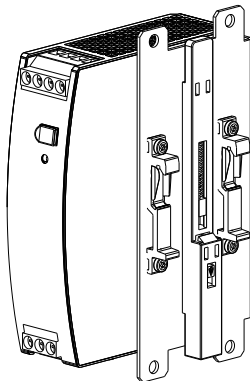
This bracket is used to mount the power supply onto a flat surface without utilizing a DIN rail.



### 21.2. ZM11.SIDE - SIDE MOUNTING BRACKET

This bracket is used to mount DIMENSION units sideways with or without utilizing a DIN rail. The two aluminum brackets and the black plastic slider of the unit must be detached so that the steel brackets can be installed.

For sideways DIN rail mounting, the removed aluminum brackets and the black plastic slider need to be mounted on the steel bracket.



Side mounting with DIN rail brackets    Side mounting without DIN rail brackets

### 21.3. YRM2.DIODE - REDUNDANCY MODULES

(2x 10A Inputs, 1x 20A output)



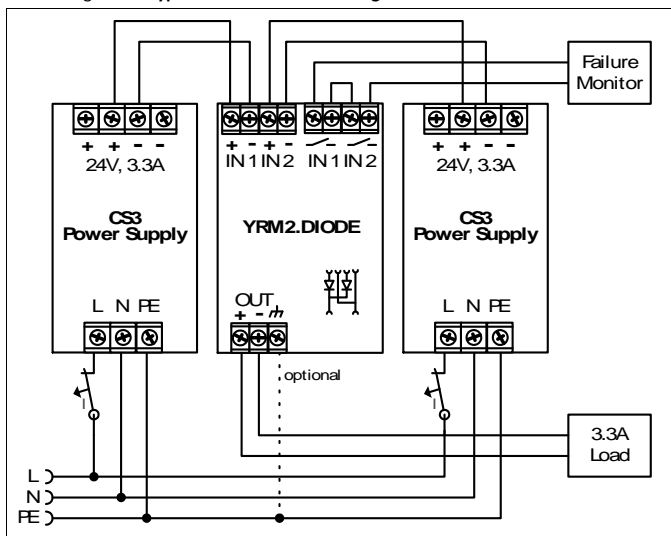
The YRM2.DIODE is a dual redundancy module, which can be used to build redundant systems. It is equipped with two input channels, which are individually decoupled by utilizing diodes.

The YRM2.DIODE does not require an additional auxiliary voltage and is self-powered even in case of a short circuit across the output.

The YRM2.DIODE has a monitoring circuit included and is the perfect solution when the power supply has no DC-OK function. Two LEDs and two relay contacts signal when one of the two DC-input voltages is not in range due to a non-functioning or disconnected power supply.

Due to the compact design, the unit is very slender and only requires 32mm width on the DIN rail.

Fig. 21-1 Typical 1+1 Redundant configuration for 3.3A load current



## 22. APPLICATION NOTES

### 22.1. PEAK CURRENT CAPABILITY

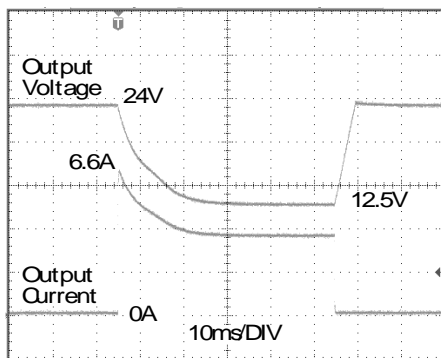
The unit can deliver peak currents (up to several milliseconds) which are higher than the specified short term currents.

This helps to start current demanding loads. Solenoids, contactors and pneumatic modules often have a steady state coil and a pick-up coil. The inrush current demand of the pick-up coil is several times higher than the steady-state current and usually exceeds the nominal output current. The same situation applies when starting a capacitive load.

The peak current capability also ensures the safe operation of subsequent circuit breakers of load circuits. The load branches are often individually protected with circuit breakers or fuses. In case of a short or an overload in one branch circuit, the fuse or circuit breaker need a certain amount of over-current to open in a timely manner. This avoids voltage loss in adjacent circuits.

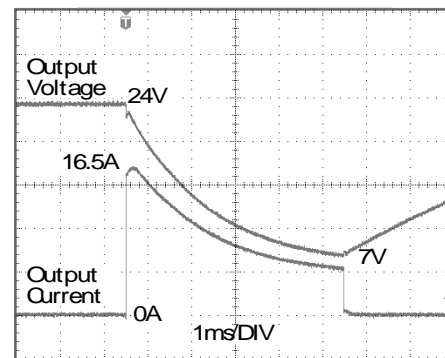
The extra current (peak current) is supplied by the power converter and the built-in large sized output capacitors of the power supply. The capacitors get discharged during such an event, which causes a voltage dip on the output. The following two examples show typical voltage dips:

Fig. 22-1 Peak load with 2x the nominal current for 50ms, typ.



6.6A Peak load (resistive) for 50ms  
Output voltage dips from 24V to 12.5V.

Fig. 22-2 Peak load with 5x the nominal current for 5ms, typ.



16.5A Peak load (resistive) for 5ms  
Output voltage dips from 24V to 7V.

Peak current voltage dips	typ.	from 24V to 12.5V	at 6.6A for 50ms, resistive load
	typ.	from 24V to 12.5V	at 16.5A for 2ms, resistive load
	typ.	from 24V to 17V	at 16.5A for 5ms, resistive load

### 22.2. BACK-FEEDING LOADS

Loads such as decelerating motors and inductors can feed voltage back to the power supply. This feature is also called return voltage immunity or resistance against Back- E.M.F. (Electro Magnetic Force).

This power supply is resistant and does not show malfunctioning when a load feeds back voltage to the power supply. It does not matter whether the power supply is on or off.

The maximum allowed feed-back-voltage is 35Vdc. The absorbing energy can be calculated according to the built-in large sized output capacitor which is specified in chapter 6.

### 22.3. EXTERNAL INPUT PROTECTION

The unit is tested and approved for branch circuits up to 20A. An external protection is only required if the supplying branch has an ampacity greater than this. Check also local codes and local requirements. In some countries local regulations might apply.

If an external fuse is necessary or utilized, minimum requirements need to be considered to avoid nuisance tripping of the circuit breaker. A minimum value of 10A B- or 6A C-Characteristic breaker should be used.

### 22.4. PARALLEL USE TO INCREASE OUTPUT POWER

The power supply shall not be used in parallel to increase the output current.

### 22.5. PARALLEL USE FOR REDUNDANCY

Power supplies can be paralleled for redundancy to gain higher system availability. Redundant systems require a certain amount of extra power to support the load in case one power supply unit fails. The simplest way is to put two power supplies in parallel. This is called a 1+1 redundancy. In case one power supply unit fails, the other one is automatically able to support the load current without any interruption, see also chapter 22.4.

**Please note:** This simple way to build a redundant system does not cover failures such as an internal short circuit in the secondary side of the power supply. In such a case, the defective unit becomes a load for the other power supplies and the output voltage can no longer be maintained. This can be avoided by utilizing redundancy modules, which have decoupling devices (diodes or MOSFETs) included. Further information and wiring configurations can be found in chapter 21.3.

Recommendations for building redundant power systems:

- a) Use separate input fuses for each power supply.
- b) Monitor the individual power supply units.  
Therefore, use the DC-OK relay contact of the YRM2.DIODE.
- c) It is desirable to set the output voltages of all units to the same value ( $\pm 100\text{mV}$ ) or leave it at the factory setting.

### 22.6. CHARGING OF BATTERIES

The power supply shall not be used to charge batteries. Choose power supplies of the QS-Series for charging batteries.



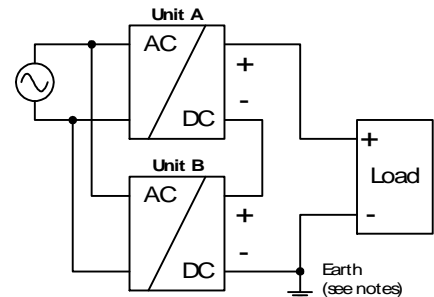
### 22.7. SERIES OPERATION

Power supplies of the same type can be connected in series for higher output voltages. It is possible to connect as many units in series as needed, providing the sum of the output voltage does not exceed 150Vdc. Voltages with a potential above 60Vdc are no longer SELV and can be dangerous. Such voltages must be installed with a protection against touching.

Earthing of the output is required when the sum of the output voltage is above 60Vdc. Avoid return voltage (e.g. from a decelerating motor or battery) which is applied to the output terminals.

Keep an installation clearance of 15mm (left / right) between two power supplies and avoid installing the power supplies on top of each other. Do not use power supplies in series in mounting orientations other than the standard mounting orientation (input terminals on bottom of the unit).

Pay attention that leakage current, EMI, inrush current, harmonics will increase when using multiple power supplies.

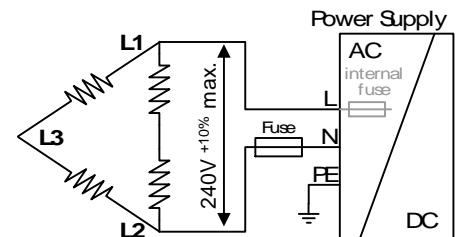


### 22.8. INDUCTIVE AND CAPACITIVE LOADS

The unit is designed to supply any kind of loads, including capacitive and inductive loads.

### 22.9. OPERATION ON TWO PHASES

The power supply can also be used on two-phases of a three-phase-system. A phase-to-phase connection is allowed as long as the supplying voltage is below 240V<sup>+10%</sup>.



### 22.10. USE IN A TIGHTLY SEALED ENCLOSURE

When the power supply is installed in a tightly sealed enclosure, the temperature inside the enclosure will be higher than outside. In such situations, the inside temperature defines the ambient temperature for the power supply.

The following measurement results can be used as a reference to estimate the temperature rise inside the enclosure.

The power supply is placed in the middle of the box, no other heat producing items are inside the box

Enclosure: Rittal Typ IP66 Box PK 9516 100, plastic, 110x180x165mm

Input: 230Vac

Load: 24V, 3.3A; (=100%) load is placed outside the box

Temperature inside enclosure: 45.7°C (in the middle of the right side of the power supply with a distance of 2cm)

Temperature outside enclosure: 27.3°C

Temperature rise: 18.4K

Load: 24V, 2.64A; (=80%) load is placed outside the box

Temperature inside enclosure: 41.8°C (in the middle of the right side of the power supply with a distance of 2cm)

Temperature outside enclosure: 26.5°C

Temperature rise: 15.3K

### 22.11. MOUNTING ORIENTATIONS

Mounting orientations other than the input terminals on the bottom require a reduction in continuous output power or a limitation in the maximum allowed ambient temperature. The amount of reduction influences the lifetime expectancy of the power supply. Therefore, two different derating curves for continuous operation can be found below:

**Curve A1** Recommended output current.

**Curve A2** Max allowed output current (results in approximately half the lifetime expectancy of A1).

Fig. 22-3  
Mounting  
Orientation A  
(Standard  
orientation)

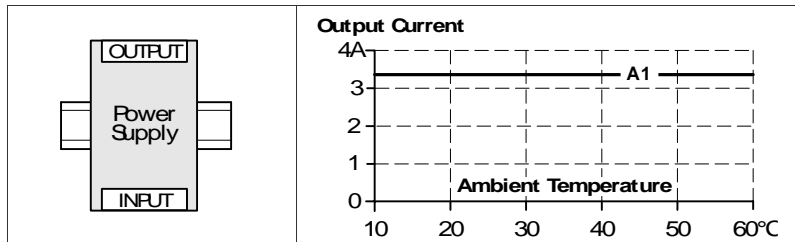


Fig. 22-4  
Mounting  
Orientation B  
(Upside down)

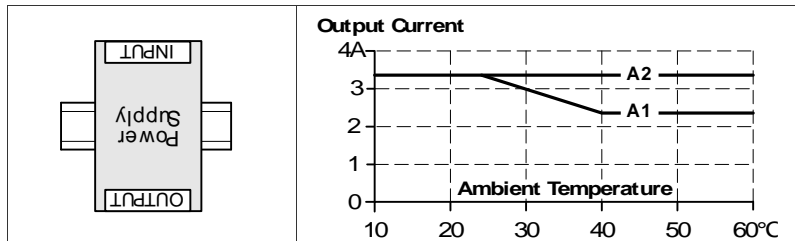


Fig. 22-5  
Mounting  
Orientation C  
(Table-top  
mounting)

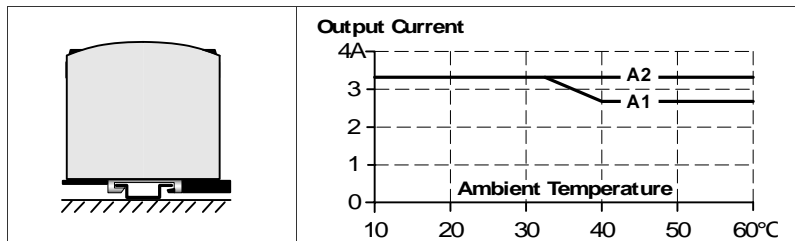


Fig. 22-6  
Mounting  
Orientation D  
(Horizontal cw)

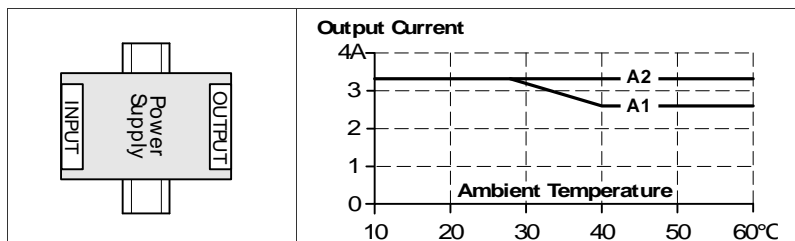


Fig. 22-7  
Mounting  
Orientation E  
(Horizontal ccw)

