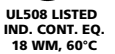


SL2.100

- Input: AC 230V / 115V
- Output: 24V / 2.5A
- High overload current, no switch-off
- Quasi-Wide-Range Input
- Robust mechanics and EMC
- NEC Class 2 Power Supply



Data sheet

Input

Input voltage AC100-120/220-240 V (switchable), 47-63 Hz (85-132 VAC / 176-264 VAC, 160-375 VDC, see also „Output: Continuous Loading“)

Quasi-Wide-Range Input: With the switch in the 230V position the power-supply unit operates at low and moderate loads at any input voltage between 95 and 264 V AC (see 'Output' at the right side).

Note: At DC input, always leave the switch in the 230V position

Input current < 1.3 A (switch in 115V position)
< 0.7 A (switch in 230V position)

DC input current at open output typ. 5.3 mA at 110 VDC, 3.9 mA at 300 VDC (preserves battery sources)

Inrush current typ. 25 A at 264 V AC and cold start

Unit is internally fused (fuse not accessible). For external fusing of unit and for input line protection, use circuit breaker with B-characteristic 10A or slower action, or alternatively T10A HBC fuse.

EN 61000-3-2 (harmonic current emissions) is fulfilled

Transient handling Transient resistance acc. to VDE 0160 / W2 (750 V / 1.3 ms), for all load conditions.

Hold up time > 20 ms at 196 VAC, 24 V / 2.5 A (see Diagram overleaf)

Efficiency, Reliability etc.*

Efficiency typ. 87.5 % (230 VAC, 24 V / 2.5 A)

Losses typ. 8.6 W (230 VAC, 24 V / 2.5 A)

MTBF 740,000 h acc. to Siemensnorm SN 29500 (24 V/2.5 A, 230 VAC, T_{amb} = +40 °C)

Life cycle (electrolytics) The unit exclusively uses longlife electrolytics, specified for +105°C (cf. 'The SilverLine', p.2).

Output

Output voltage 24 V DC +5% -1% (12V on request)

Output noise suppression Radiated EMI values below EN 61000-6-3, even when using long, unscreened output cables.

Ambient temperature range T_{amb} Operation: -10°C...+70°C (>60°C: Derating)
Storage: -25°C...+85°C

Continuous loading (at T _{amb} = -10°C...+60°C, convection cooling), see also Diagram overleaf. For start at T _{amb} <0°C and low input voltage, please contact PULS.	Switch	AC/DCin	I _{out}
* For start with DC input > 95 V DC needed	230V	176-264 V	ACin 2,5 A
		95-176 V	ACin 1,5 A
	115V	160-375 V	DCin 2,5 A
		120-160 V	DCin 2,0 A
		80*-120 V	DCin 1,5 A
		85-132 V	ACin 2,5 A

Output protected against short circuit, open circuit and overload

Derating typ. 1.5 W/K (at T_{amb}=+60°C...+70°C)

Voltage regulation better than 2% V_{out} overall

Ripple / Noise < 25 mV_{pp}, (20 MHz bandw., 50 Ω measurem.)

Overvolt. protection typ. 32 V

Parallel operation yes; current sharing available on request

Power back immunity 26 V

Front panel indicator Green LED, goes out at V_{out} < 18V

Start / Overload Behaviour

Startup delay typ. 0.1 s

Rise time ca. 5-20 ms, depending on load

Overload Behaviour

- Special PULS Overload Design (see diagram overleaf)
 - no disconnection, no hiccup if overloaded
 - high overload current (up to 1.5 I_{Nom}), V_{out} is gradually reduced with increasing current.

Advantages:

- High short-circuit current, giving large 'start-up window': unit starts reliably even with awkward loads (DC-DC converters, motors).
- No 'sticking' such as can occur with fold-back characteristics
- Secondary fuses operate reliably

Order information

Order number

SL2.100
SLR2.100
SLZ02

Description

(Basic version*)
(N+1 redundancy*)
(Screw mounting set, two needed per unit)

Construction / Mechanics*

Housing dimensions and Weight

- W x H x D 49 mm x 124 mm x 102 mm (+ DIN rail)
- Free space for ventilation above/below 25 mm recommended right 10 mm recommended (front view)
- Weight 460 g

Design advantages:

- All connection blocks are easy to reach as mounted at the front panel.
- Input and output are strictly apart from each other and so cannot be mixed up (Input below, output above).

* *For further information see data sheets „The SilverLine“, „SilverLine Family Branches“ and mechanics data sheet

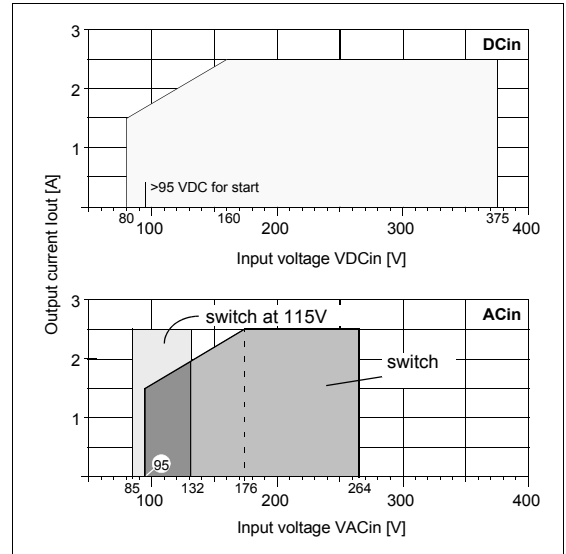
For further information, especially about

- EMC
 - Connections
 - Safety, Approvals
 - Mechanics und Mounting,
- see page 2 of the „The SilverLine“ data sheet.

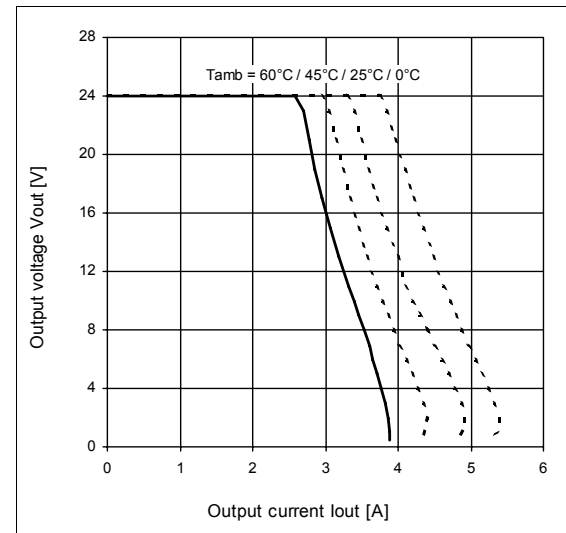
For detailed dimensions

see SilverLine mechanics data sheet SL2/ SL5/ SL10

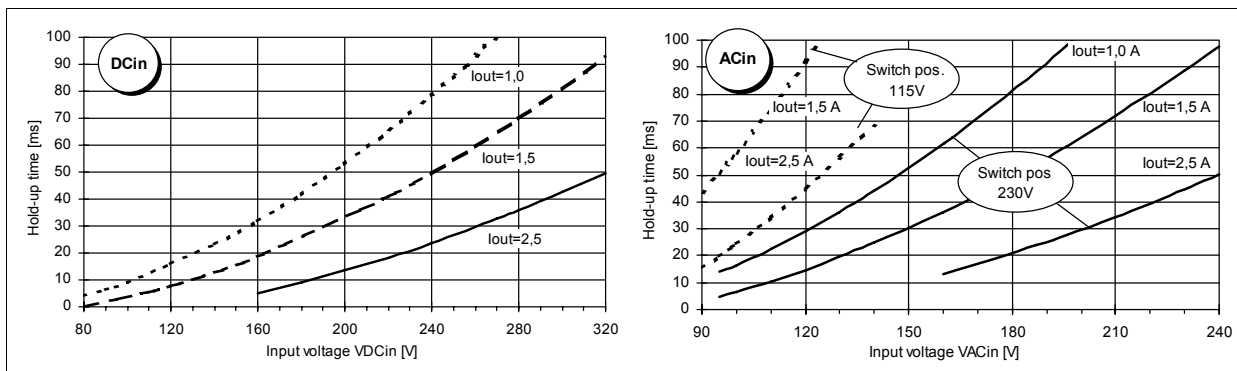
Output Current over Input Voltage (min.)



Output characteristic (min.)



Hold-up time (min.)



Unless otherwise stated, specifications are valid for AC 230V input voltage, +25°C ambient temperature, and 5 min. run-in time. They are subject to change without prior notice.

Your partner in power supply:



European Power Supply Manufacturers Association



Bayerns Best 50
Czech 100 Best
Europe's 500

PULS GmbH
 Arabellastraße 15
 D-81925 München
 Tel.: +49 89 9278-0
 Fax: +49 89 9278-199
 www.puls-power.com

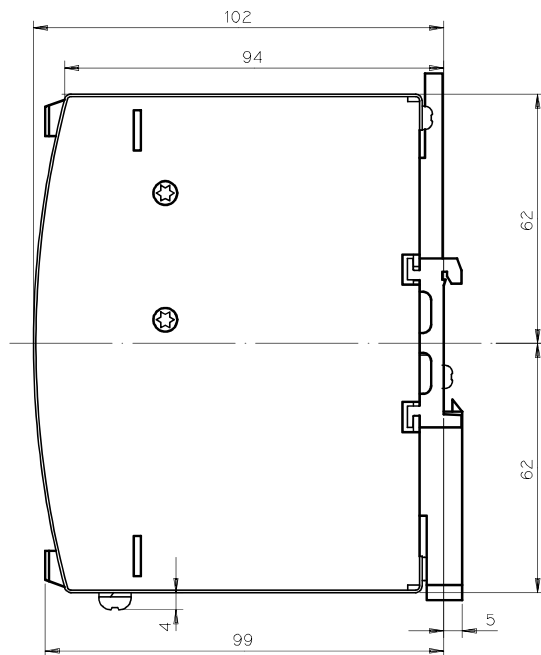
SL2.5/ SL5/ SL10

- Innovative DIN-Rail mount, unit holds even at vibration or lateral pressure
- Clearly arranged and user oriented
- Large, robust screw terminals
- Sealed metal housing
- Fine ventilating grid

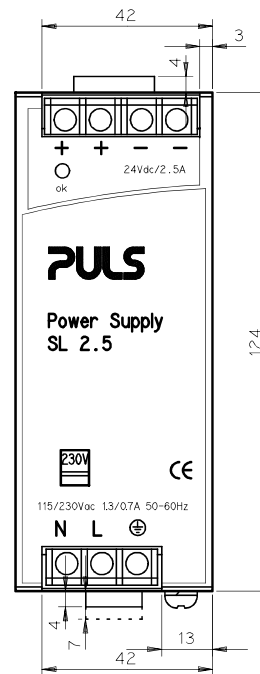


Data sheet

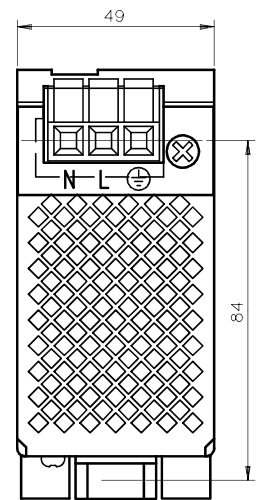
Side view SL2.5



Front view SL2.5



Bottom view SL2.5



Construction / Mechanics

Housing dimensions and Weight		Free space for ventilation	
Unit	W x H x D [mm] weight	left	above/below right
• SL2.5	49 x 124 x 102 460 g	0 mm	25 mm each 10 mm
• SL5.10x	64 x 124 x 102 620 g	15 mm	25 mm each 15 mm
• SL5.300	73 x 124 x 117 730 g	15 mm	50 mm each 15 mm
• SL10	120 x 124 x 102 980 g	15 mm	25 mm each 15 mm

Overall depth = depth value as mentioned + DIN rail depth

Robust metal housing with fine ventilat. grid (◇ 3,5 mm, IP20), to keep out small parts (e.g. screws)

Mounting on DIN-Rail (TS35/7.5 or TS35/15, 1...1.5 mm thick), thus

- Simple snap-on system
- Sits safely and firmly on the DIN-Rail
- No tools required to remove

or backplane-mounted (two optional screw mounting sets SLZ01 required)

Connections

Connections

- Input/Output
- Current handling capacity
- Grid

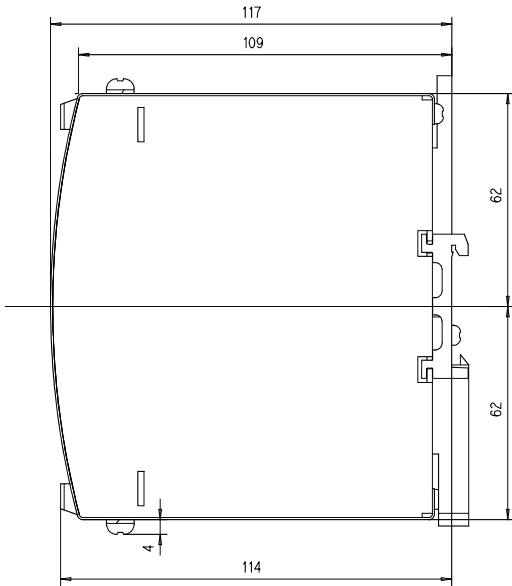
Screw terminals, connector size range: solid 0.5- 6 mm² / flexible 0.5- 4 mm²
30 A per output
Two connectors per output, 9 mm distance between adjacent connectors

Design advantages:

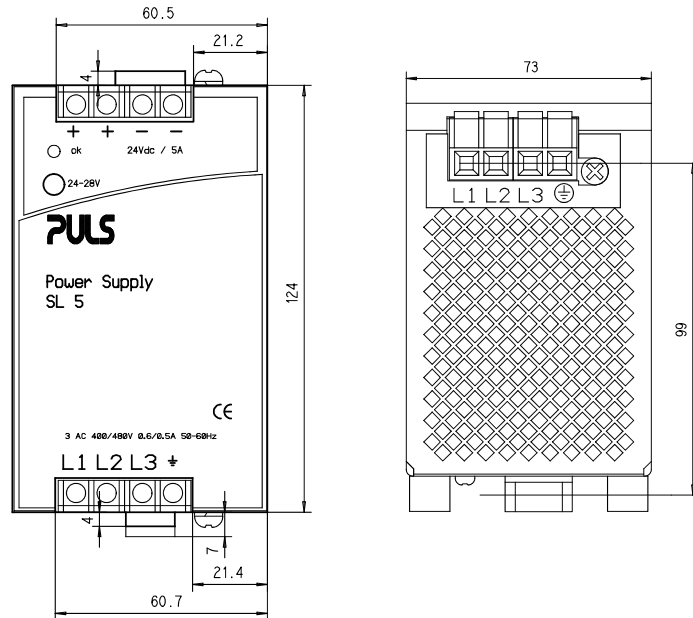
- All connection blocks are easy to reach as mounted at the the front panel.
- Input and output are strictly apart from each other and so cannot be mixed up

Order information

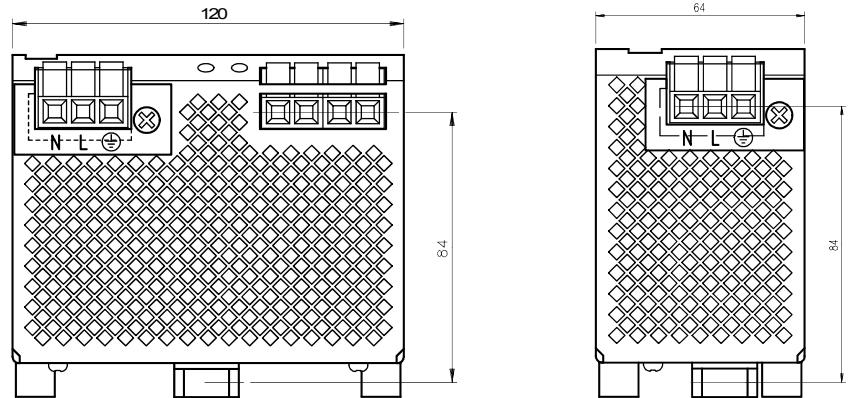
Order number	Description
SL2.100	24V/2.5A
SL2.103	12-15V/40W
SL5.100	24V/5A
SL5.102	24-28V/120W
SL5.105	24-28V/120W
SL5.300	24-28V/120W, 3AC400-500V input
SL10.100 and SL10.105	24-28V/240W
SL10.101	48-56V/240W
SLZ01	Screw mounting set, two needed per unit



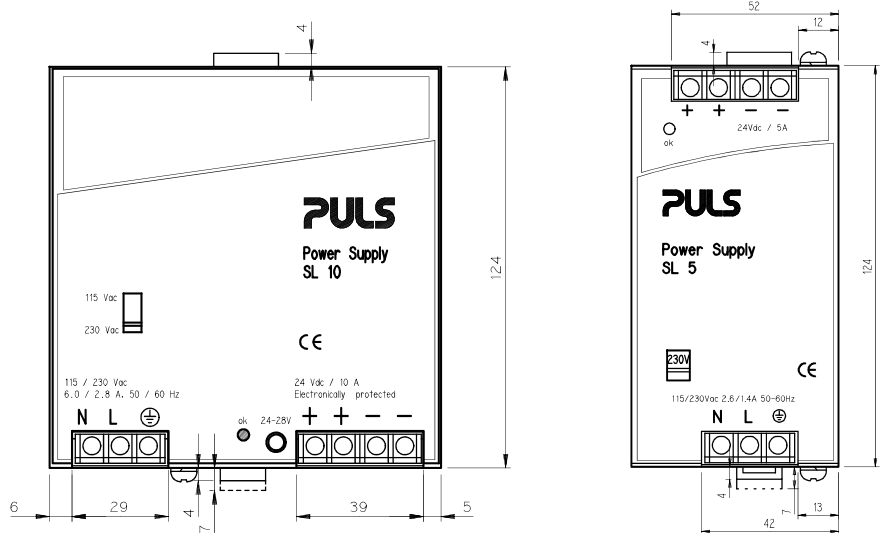
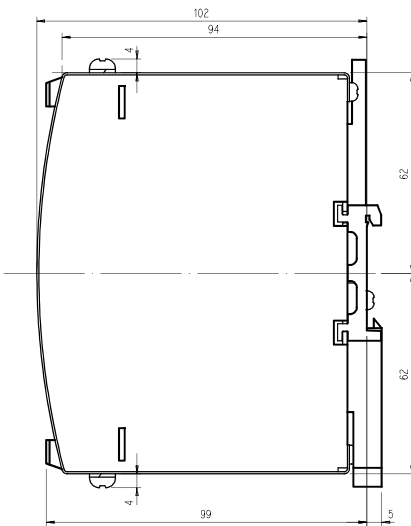
All views SL5.300



**Bottom view
SL10 SL5.10x**



**Side view and front view
SL10, SL5.10x**



This 'mechanics data sheet' exclusively deals with the mechanical properties of the product. For further information (especially concerning electrical properties), please refer to the generic data sheet of the SL2.5, SL5 and SL10 and to the basic data sheet „The SilverLine“ dealing with common features of all SilverLine units. This data sheet is subject to change without prior notice.

Your partner in power supply:



PULS GmbH
 Arabellastraße 15
 D-81925 München
 Tel.: +49 89 9278-0
 Fax: +49 89 9278-199
www.puls-power.com