

## Product Description

The UZB12.121 is a non-spillable maintenance-free VRLA lead-acid battery with absorbent glass mat (AGM) technology.

## Intended Use

The battery is intended to be used as a battery replacement for DC-UPS systems. Check the product datasheet of the DC-UPS or the battery module to confirm that it is suitable for the desired device.

## Installation Instructions

Do not short-circuit the battery poles or power wires and always check correct battery polarity.

Install the device in a cool area inside an enclosure providing protection against electrical, mechanical and fire hazards.

Do not cover or block the pressure release valves of the battery. Do not install the battery with the valve pressure releases on the bottom side. Hydrogen gas can be released via pressure relief valves. It will form an explosive mixture in air when the concentration exceeds 4% in volume. It is mandatory to ensure sufficient ventilation of the battery. The necessary ventilation and air flow must be calculated according to EN 50272-2.

The device is designed for pollution degree 2 areas in controlled environments. No condensation or frost allowed.

Do not store batteries or battery modules at temperatures higher than 25°C or performance and lifetime may change.

Before initial use, check the last charging which is marked on the battery. If it is older than 9 months, replace the battery.

Do not store batteries longer than 9 months without charging or performance and lifetime may change. Every 9 months or whenever the open circuit voltage (OCV) falls below 12.6V, the battery module should be charged. Apply a charging voltage of 13.8V (at 25°C) for 72 hours. Batteries with an OCV below 12V should be disposed.

Frequently charging below +5°C reduces the lifetime of the battery.

## Instructions for disposal of batteries:

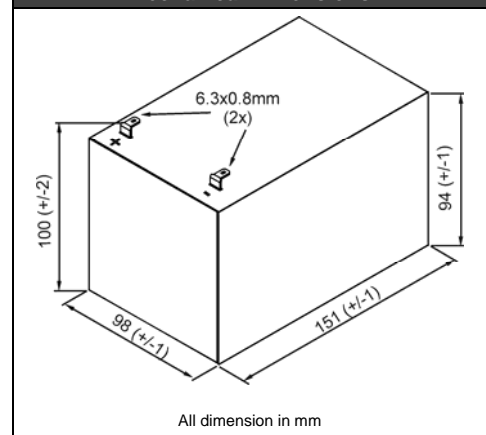
Always dispose batteries through a recycling organization. Optionally, batteries can be returned to the supplier or the battery manufacturer. Batteries must be completely discharged before recycling.

## Technical Data

All values are typical figures unless otherwise noted.

<b>Voltage</b>	DC 12V	
<b>Nominal battery capacity</b>	12Ah	
<b>Battery current</b>	Max. 35A	Discharge current
	Max. 3.5A	Charging current
<b>Recommended charging voltage</b>	13.9V	At +10°C
	13.75V	At +20°C
	13.6V	At +30°C
	13.45V	At +40°C
<b>Self-discharge rate</b>	3% / month	At +20°C
<b>Temperature range</b>	-10°C to +40°C	For charging
	-15°C to +50°C	For discharging
<b>Storage temperature range</b>	-20°C to +50°C	
<b>Size (width x height x depth)</b>	151x100x98mm	
<b>Weight</b>	4200g / 9.26lb	

## Mechanical Dimensions



**Headquarters:** PULS GmbH, Elektrastr. 6, 81925 Munich, Germany, [www.pulspower.com](http://www.pulspower.com)

**Germany** +49 89 9278 0

**France** +33 478 668 941

**Austria** +43 2764 3213

**Switzerland** +41 56 450 18 10

**China** +86 512 62881820

**North America** +1 630 587 9780

**Singapore** +65 6684 2310

**United Kingdom** +44 1525 841001

The information in this document is believed to be accurate and reliable and may change without notice.