



Doc. ID: PU-200.015.69-xxA (2019-01-10-MR1)

Product Description

The ZM3.WALL is a short piece of plastic DIN-Rail to mount a device on a flat surface or panel.

The order number ZM3.WALL is a bulk package with 25 pieces of this plastic DIN-rail.

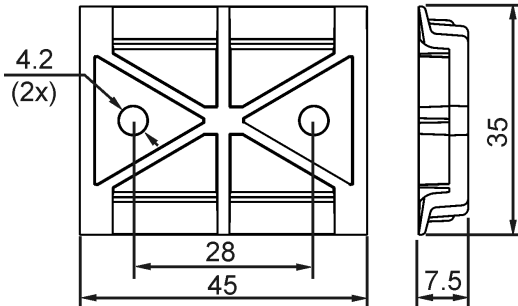
Intended Use

This mechanical accessory is designed for DIN-rail devices. Check the product datasheet of the DIN-rail device to confirm that it is suitable for the desired device.

Technical Data

Size (width x height x depth) 45x35x7.5mm
 Weight 8g / 0.02lb

Mechanical Dimensions



All dimension in mm

Mounting Example

