



WALL / PANEL MOUNTING BRACKET

Suitable for specific FIEPOS units: FPT500, FPT300, FPH500 and FPS300 products

Product Description

WALL / PANEL MOUNTING BRACKET is a mechanical accessory to mount a device on a flat surface or panel.

One mounting set for one FIEPOS device consists of:

- 1x mounting bracket
- 4x screws: TORX T10, self-tapping, 6 mm

Not included:

- M8 and M10 screws for mounting on wall or panel.
- Nuts to tighten the screws.

Order Number

WALL / PANEL MOUNTING BRACKET	ZM.FPMBA-10 1 piece
	ZM.FPMBA-11 50 pieces

The information given in this document is correct to the best of our knowledge and experience at the time of publication. If not expressly agreed otherwise, this information does not represent a warranty in the legal sense of the word. As the state of our knowledge and experience is constantly changing, the information in this data sheet is subject to revision. We therefore kindly ask you to always use the latest issue of this document (available under www.pulspower.com). No part of this document may be reproduced or utilized in any form without our prior permission in writing.

1. Intended Use

This mechanical accessory is designed for FPT500, FPT300, FPH500 and FPS300 products.

Mounting example shows the isometric view from different perspectives on a field power supply:

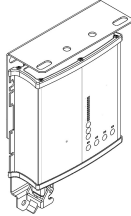


Fig. 1-1: Left view

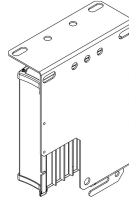


Fig. 1-2: Front view

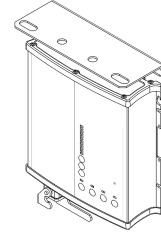
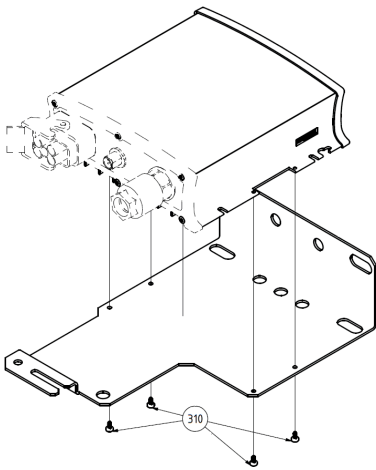
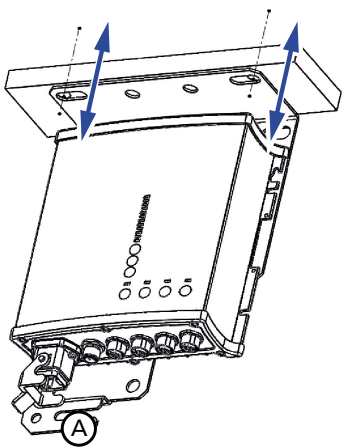


Fig. 1-3: Right view

2. Installation Instructions



- i** Use a torque of 1 Nm to fasten the screws.
- ⇒ Tighten the screws through the mounting bracket on the power supply.
- ✓ The mounting bracket is now ready to install on a flat surface or panel.



- i**
 - Use a suitable opening depending on the purpose.
 - For mounting, use suitable material.
 - To avoid vibrations, use a serrated washer and screw locking varnish.
- ⇒ Mount the mounting object vertically upwards to a panel or on a wall.
- ⇒ Tighten the screws together with the nuts on the bottom of the mounting bracket, or on the top of the panel, or on the wall.
- ✓ The housing is now fully installed.
- i** For maintenance work, you can install a lockout tagout system (LOTO) to position A to prevent anyone from connecting the power supply.

3. Physical Dimensions and Weight

Width	182 mm
Height	272 mm
Depth	70 mm
Weight	250 g
Bracket material	Zinc-plated steel

All dimensions in mm.

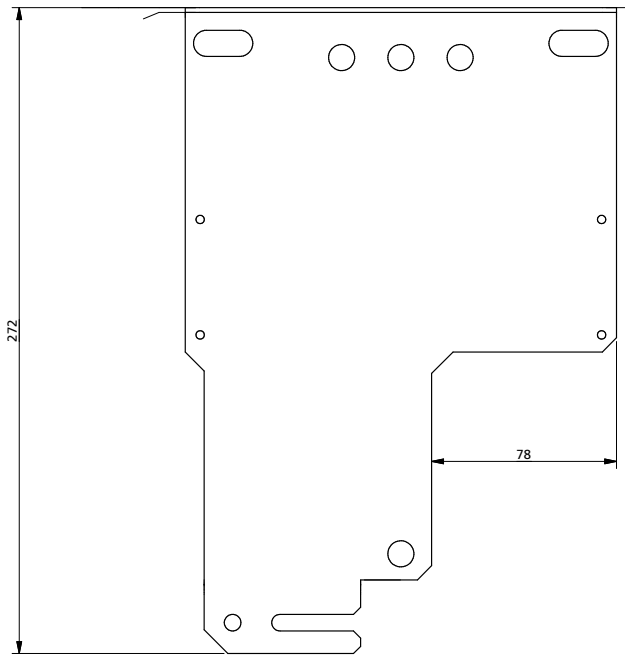


Fig. 3-1: Dimensional drawing base plate

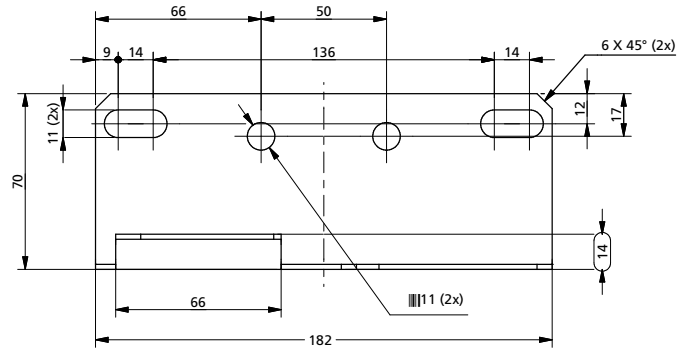


Fig. 3-2: Top view

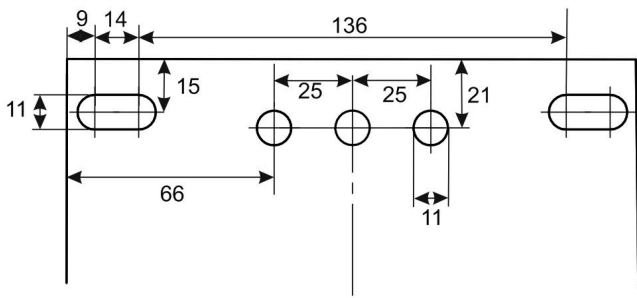


Fig. 3-3: Mounting hole on base

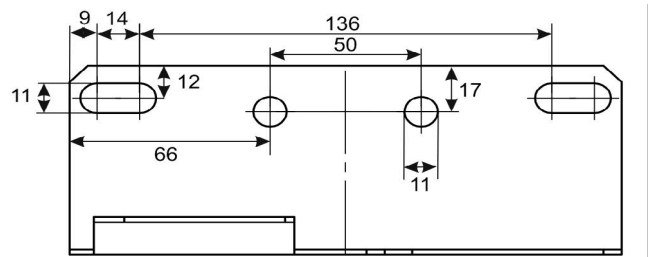


Fig. 3-4: Mounting hole on bend