

Product Description

The SLZ02 is a mechanical accessory to mount a device on a flat surface or panel without utilizing a DIN-rail.

The order number SLZ02 contains two brackets needed for one device.

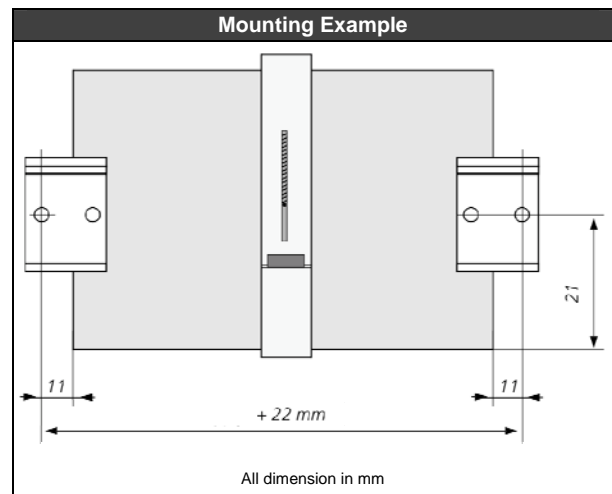
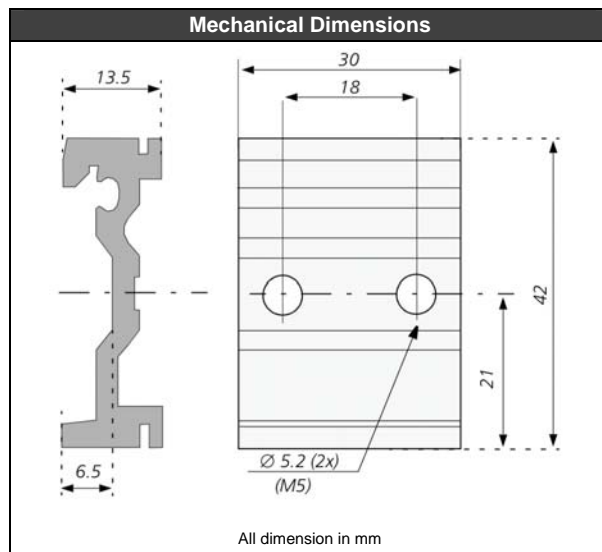
Technical Data

Size (width x height x depth) 30x42x13.5mm

Weight 60g / 0.13lb

Intended Use

This mechanical accessory is designed for DIN-rail devices. Check the product datasheet of the DIN-rail device to confirm that it is suitable for the desired device.



Headquarters: PULS GmbH, Elektrastr. 6, 81925 Munich, Germany, www.pulspower.com

Germany +49 89 9278 0

France +33 478 668 941

Austria +43 2764 3213

Switzerland +41 56 450 18 10

China +86 512 62881820

North America +1 630 587 9780

Singapore +65 6684 2310

United Kingdom +44 1525 841001

The information in this document is believed to be accurate and reliable and may change without notice.

Installation Instructions

- 1) Detach the two aluminium brackets by removing the screws with a Torx screwdriver (Torx 10).
- 2) Push the wall mount brackets into the groove as far as possible and firmly screw them down.

