



REDUNDANCY MODULE

- Cost Effective Solution to Build Redundant Systems
- Dual Input with Single Output
- Alarm Relay-contacts for Each Input Path
- Two Diodes (Common Cathode)
- DC 24-48V $\pm 25\%$ (18-60Vdc) Wide-range Input
- Full Power Between -40°C and $+60^{\circ}\text{C}$
- Width only 32mm
- Rugged Metal Housing
- Large Screw Terminals
- Easy Wiring:
Distribution Terminal for Negative Pole Included
- 3 Year Warranty

PRODUCT DESCRIPTION

The YRM2.DIODE is a redundancy module, which can be used to build 1+1 and N+1 redundant systems. It is equipped with two input channels, which can be connected to power supplies with up to 10A output current and one output, which can carry nominal currents up to 20A. The module is suitable for power supplies with constant current overload behavior as well as any kind of "Hiccup" overload behavior.

The YRM2.DIODE has a monitoring circuit included and is the perfect solution when the power supply has no DC-OK function. Two LEDs and two relay contacts signal when one of the two DC-input voltages is not in range due to a non-functioning or disconnected power supply.

In addition to the YRM2.DIODE is the YR2.DIODE which has no monitoring circuitry included. This is the perfect fit when the power supply itself is already equipped with a DC-OK signal (e.g.: DIMENSION Q-Series).

Large screw terminals allow an easy installation and a huge international approval package for a variety of applications makes this unit suitable for nearly every situation.

SHORT-FORM DATA

Input voltage	DC 24-48V	$\pm 25\%$
Input voltage range	18-60Vdc	
Input current	2x 10A	Below $+60^{\circ}\text{C}$ ambient
	2x 7.5A	At $+70^{\circ}\text{C}$ ambient
	2x 16A	Up to 5 seconds
Output current	20A	Continuous, $< +60^{\circ}\text{C}$
	15A	Continuous, at $+70^{\circ}\text{C}$
	32A	Short term, up to 5s
Maximum overload current	25A R.M.S.	In any overload or short circuit condition
	Derate linearly between $+60$ and $+70^{\circ}\text{C}$	
Input to output voltage loss	780mV	At 2x 5A input
	850mV	At 2x 10A input
Power losses	0W	At no load
	8.8W	At 2x 5A input
	18W	At 2x 10A input
Temperature range	-40°C to $+70^{\circ}\text{C}$	operational,
Derating	0.5A/ $^{\circ}\text{C}$	$+60$ to $+70^{\circ}\text{C}$
Dimensions	32x124x117mm	WxHxD
Weight	350g	

ORDER NUMBERS

Redundancy Module	YRM2.DIODE	DC 12-48V
Accessory	ZM1.WALL	Wall/ panel mount bracket
	ZM11.SIDE	Side mount bracket

MAIN APPROVALS

For details and the complete approval list, see chapter 15.



UL 508



ATEX



UL 60950-1



IECEX



Class I Div 2



DNV.COM/AF
Marine

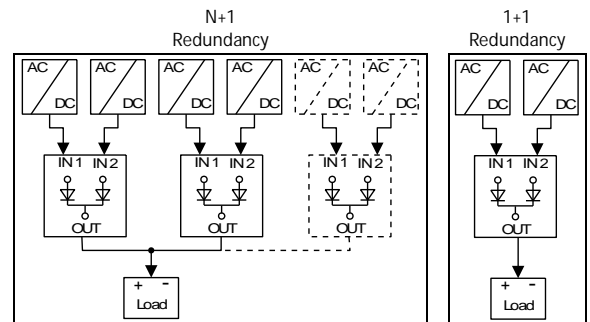
INDEX

	Page		Page
1. Intended Use.....	3	17. Physical Dimensions and Weight.....	15
2. Installation Instructions.....	3	18. Accessories.....	16
3. Input and Output Characteristics.....	5	18.1. ZM1.WALL - Wall mounting bracket.....	16
4. Power Losses.....	6	18.2. ZM11.SIDE - Side mounting bracket.....	16
5. Alarm Contacts.....	6	19. Application Notes.....	17
6. Lifetime Expectancy and MTBF.....	7	19.1. Recommendations for Redundancy.....	17
7. Terminals and Wiring.....	8	19.2. Inductive and Capacitive Loads.....	17
8. Functional Diagram.....	9	19.3. Example: 1+1 Redundancy up to 10A.....	17
9. Front Side and User Elements.....	9	19.4. Example: N+1 Redundancy up to 30A.....	18
10. EMC.....	10	19.5. Example: Battery Back-up.....	18
11. Environment.....	11	19.6. Example: Redundancy for Controls.....	19
12. Protection Features.....	12	19.7. Example: Decoupling of Branches.....	20
13. Safety Features.....	12	19.8. Use in a Tightly Sealed Enclosure.....	20
14. Dielectric Strength.....	12	19.9. Mounting Orientations.....	21
15. Approved, Fulfilled or Tested Standards.....	13		
16. Regulatory Product Compliance.....	14		

The information presented in this document is believed to be accurate and reliable and may change without notice.
 No part of this document may be reproduced or utilized in any form without permission in writing from the publisher.

TERMINOLOGY AND ABBREVIATIONS

PE and \oplus symbol	PE is the abbreviation for Protective Earth and has the same meaning as the symbol \oplus .
Earth, Ground	This document uses the term "earth" which is the same as the U.S. term "ground".
t.b.d.	To be defined, value or description will follow later.
DC 24V	A figure displayed with the AC or DC before the value represents a nominal voltage with standard tolerances (usually $\pm 15\%$) included. E.g.: DC 12V describes a 12V battery disregarding whether it is full (13.7V) or flat (10V)
24Vdc	A figure with the unit (Vdc) at the end is a momentary figure without any additional tolerances included.
may	A key word indicating flexibility of choice with no implied preference
shall	A key word indicating a mandatory requirement
should	A key word indicating flexibility of choice with a strongly preferred implementation
1+1 Redundancy	Use of two identical power supplies in parallel to provide continued operation following most failures in a single power supply. The two power supply outputs should be isolated from each other by utilizing diodes or other switching arrangements. E.g. two 10A power supplies are needed to achieve a 10A redundant system.
N+1 Redundancy	Use of three or more identical power supplies in parallel to provide continued operation following most failures in a single power supply. All power supply outputs should be isolated from each other by utilizing diodes or other switching arrangements. E.g.: To achieve a 40A redundant system, five 10A power supplies are needed in a N+1 redundant system.



1. INTENDED USE

This device is designed for installation in an enclosure and is intended for commercial use, such as in industrial control, process control, monitoring and measurement equipment or the like. Do not use this device in equipment where malfunction may cause severe personal injury or threaten human life.

The redundancy module can be used with any type of power supply as long as the maximum output current ratings are not exceeded. It is suitable for power supplies with continuous overload current as well as any kind of intermittent (Hiccup) overload behavior.

2. INSTALLATION INSTRUCTIONS

⚠ WARNING Risk of electrical shock, fire, personal injury or death.

- Turn power off before working on the device and protect against inadvertent re-powering.
- Do not open, modify or repair the device.
- Use caution to prevent any foreign objects from entering into the housing.
- Do not use in wet locations or in areas where moisture or condensation can be expected.
- Do not touch during power-on, and immediately after power-off. Hot surface may cause burns.

Obey the following installation instructions:

This device may only be installed and put into operation by qualified personnel.

This device does not contain serviceable parts. The tripping of an internal fuse is caused by an internal defect.

If damage or malfunction should occur during installation or operation, immediately turn power off and send unit to the factory for inspection.

Install the device in an enclosure providing protection against electrical, mechanical and fire hazards.

Do not ground or earth the positive output pole which could prevent redundancy in case of a ground failure. Ground the negative output pole, when needed.

Use only power supplies with a negligible output ripple voltage in the low frequency range between 50Hz and 10kHz when used in marine applications according to the DNV regulations.

Install the device onto a DIN rail according to EN 60715 with the input terminals on the top of the device. Other mounting orientations require a reduction in output current.

Make sure that the wiring is correct by following all local and national codes. Use appropriate copper cables that are designed for a minimum operating temperature of +60°C for ambient temperatures up to +45°C, +75°C for ambient temperatures up to +60°C and +90°C for ambient temperatures up to +70°C. Ensure that all strands of a stranded wire enter the terminal connection.

Unused screw terminals should be securely tightened.

The device is designed for pollution degree 2 areas in controlled environments. No condensation or frost is allowed.

The enclosure of the device provides a degree of protection of IP20.

The input must be powered from a PELV or SELV source or an "Isolated Secondary Circuit" in order to maintain a SELV or PELV output.

Check correct input polarity. The device will not operate when input voltage is reversed.

The device is designed as "Class of Protection III" equipment according to IEC 61140.

A PE (ground) connection is not required. However, connecting the chassis ground terminal to ground can be beneficial to gain a high EMI immunity.

The device is designed for convection cooling and does not require an external fan. Do not obstruct airflow and do not cover ventilation grid!

The device is designed for altitudes up to 6000m. See additional requirements in the product datasheet for use above 2000m.

Keep the following minimum installation clearances: 40mm on top, 20mm on the bottom, 5mm left and right side. Increase the 5mm to 15mm in case the adjacent device is a heat source. When the device is permanently loaded with less than 50%, the 5mm can be reduced to zero.

The maximum surrounding air temperature is +70°C. The operational temperature is the same as the ambient or surrounding air temperature and is defined 2cm below the device.

The device is designed to operate in areas between 5% and 95% relative humidity.

Installation Instructions for Hazardous Location Areas

The device is suitable for use in Class I Division 2 Groups A, B, C, D locations and for use in Group II Category 3 (Zone 2) environments.

Hazardous Location classification: ATEX: EPS 11 ATEX 1 312 X, II 3G Ex ec nC T4 Gc

WARNING EXPLOSION HAZARDS!

Substitution of components may impair suitability for this environment.

Do not disconnect the device unless power has been switched off or the area is known to be non-hazardous.

A suitable enclosure must be provided for the end product which has a minimum protection of IP54 and fulfils the requirements of the EN 60079-0.

3. INPUT AND OUTPUT CHARACTERISTICS

Number of inputs		2	
Number of outputs		1	
Input voltage	nom.	DC 24-48V	$\pm 25\%$ The input circuitry must meet the SELV requirements stipulated by IEC/EN/UL 60950-1.
Input voltage range		18-60Vdc	
Voltage drop, input to output	typ.	0.78V	at 2x5A, see Fig. 3-1
	typ.	0.85V	at 1x10A, see Fig. 3-2
	typ.	0.85V	at 2x10A, see Fig. 3-1
Input current	nom.	2x 0-10A	continuous
	nom.	1x 0-20A	continuous, see note 1
	nom.	2x 10-16A	for up to 5 seconds
Peak input current	max.	150A	for maximal 10ms per input
Output current	nom.	20A	continuous
	nom.	20-32A	for up to 5 seconds
	max.	25A	at continuous overload or short circuit, see note 2
Reverse current	max.	2mA	per input, -40°C to +60°C
Reverse voltage	max.	60Vdc	voltage applied to the output, continuously allowed

Note 1: Each input can be loaded up to 20A. At currents above 10A, the other input should not be loaded. It is preferable to parallel the two inputs in order to minimize the power loss in such cases.

Note 2: Ensure that the continuous output current does not exceed 25A. Check the short-circuit current of the power sources and if the power source can deliver more than 25A together, use an appropriate fuse on the output.

Fig. 3-1 Input to output voltage drop when both inputs draw current (typical 1+1 redundant case, when the output voltages of the two units are equal or set into "parallel use" mode)

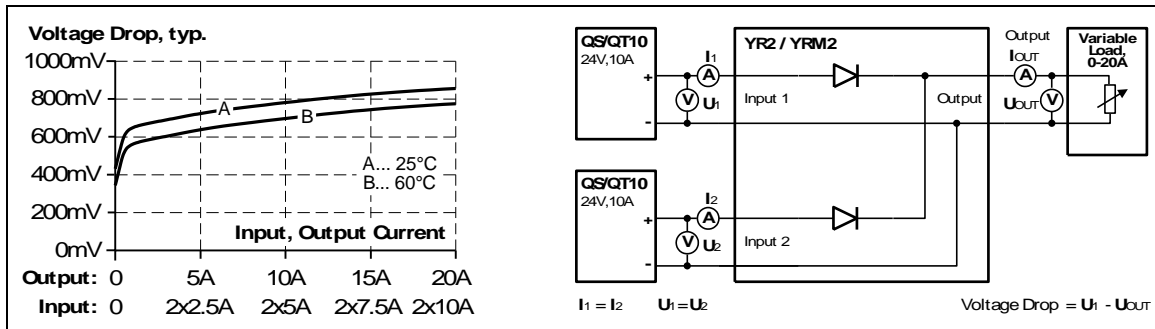
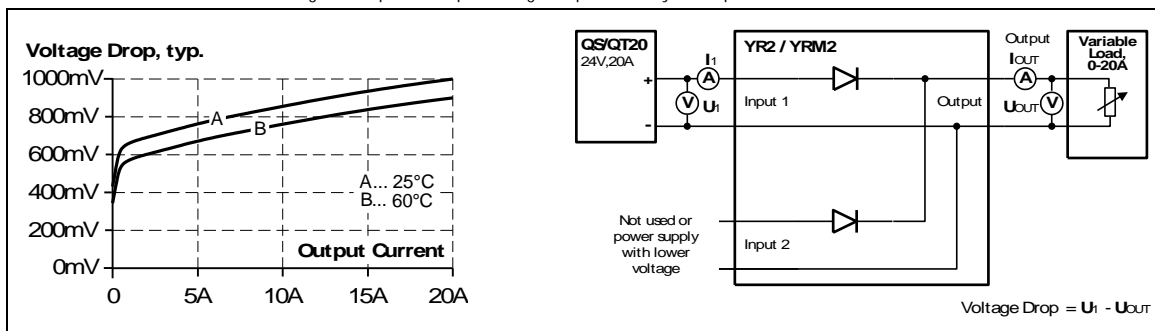


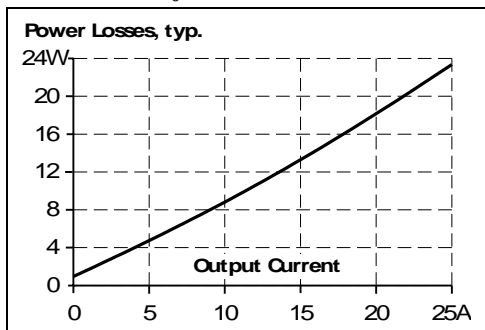
Fig. 3-2 Input to output voltage drop when only one input draws current



4. POWER LOSSES

DC 24V			
Power losses	typ.	8.8W	input: 2x5A
	typ.	9.5W	input: 1x10A
	typ.	18.0W	input: 2x10A
Standby power losses	typ.	1.0W	at no output current

Fig. 4-1 Power losses



5. ALARM CONTACTS

Both input voltages are monitored individually. If one input voltage is too low or completely lost, it will be indicated by an alarm relay contact.

Each input has its own monitoring circuitry and relay contact.

Alarm threshold	nom.	21.5V ($\pm 0.5V$)	Relay contact opens immediately after the input voltage falls below this value.
Contact ratings	min.	60Vdc 0.3A, 30Vdc 1A, 30Vac 0.5A	input: 1x10A
	max.	1mA at 5Vdc	input: 2x10A
Isolation voltage	see dielectric strength table in section 14.		

6. LIFETIME EXPECTANCY AND MTBF

The redundancy module has two input channels which are completely independent from each other. Each control circuit, auxiliary voltage source, or other circuitry in the module are designed separately for each input. The dual input redundancy module can be considered as two single redundancy modules combined together in one housing. The only common point is the circuit trace that ties the two separate circuits together at the output.

The MTBF figures below are for the entire dual input module. If the MTBF number of only one path is needed, simply double the value from the table.

The redundancy module does not have electrolytic capacitors included. Therefore, the lifetime expectancy is extremely high.

Input / output current conditions		Input: 2x10A Output: 20A	Input: 2x5A Output: 10A	
Lifetime expectancy *)	min.	25 years	25 years	at 24V and 40°C
	min.	25 years	25 years	at 24V and 25°C
MTBF **) SN 29500, IEC 61709		9 100 000h	10 900 000h	at 24V 40°C
		15 700 000h	18 800 000h	at 24V 25°C
MTBF **) MIL HDBK 217F		9 200 000h	11 100 000h	at 24V and 40°C (Ground Benign GB40)
		12 600 000h	15 100 000h	at 24V and 25°C (Ground Benign GB25)
		3 380 000h	4 060 000h	at 24V and 40°C (Ground Fixed GF40)
		4 630 000h	5 570 000h	at 24V and 25°C (Ground Fixed GF25)

*) The Lifetime expectancy shown in the table indicates the minimum operating hours (service life).

**) MTBF stands for Mean Time Between Failure, which is calculated according to statistical device failures, and indicates reliability of a device. It is the statistical representation of the likelihood of a unit to fail and does not necessarily represent the life of a product.

The MTBF figure is a statistical representation of the likelihood of a device to fail. A MTBF figure of e.g. 1 000 000h means that statistically one unit will fail every 100 hours if 10 000 units are installed in the field. However, it can not be determined if the failed unit has been running for 50 000h or only for 100h.

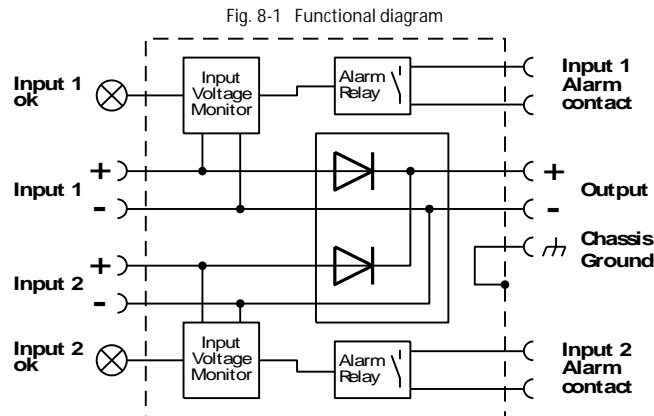
7. TERMINALS AND WIRING

	Input and output terminals	Alarm-signal terminals
Type	Screw terminals IP20 Finger safe construction. Suitable for field installation.	Screw terminals, pluggable IP20 Finger safe construction. Suitable for field installation.
Solid wire	0.5-6mm ²	0.2-1.5mm ²
Stranded wire	0.5-4mm ²	0.2-1.5mm ²
American Wire Gauge	20-10 AWG	22-14 AWG
Max. wire diameter	2.8mm (including ferrule)	
Wire stripping length	7mm	6mm
Screwdriver	3.5mm slotted or Pozidrive No 2	3mm slotted
Recommended tightening torque	0.8Nm	0.4Nm

Instructions:

- a) The external circuitry of all terminals (including signalling contacts) must meet the safety requirements stipulated by IEC/EN/UL 60950-1: SELV.
- b) Use appropriate copper cables that are designed for minimum operating temperatures of:
+60°C for ambient up to +45°C and
+75°C for ambient up to +60°C minimum.
- c) Follow national installation codes and installation regulations!
- d) Ensure that all strands of a stranded wire enter the terminal connection!
- e) Screws of unused terminal compartments should be securely tightened.
- f) Ferrules are allowed.
- g) Do not connect or disconnect the wires from the terminals below -25°C.

8. FUNCTIONAL DIAGRAM



9. FRONT SIDE AND USER ELEMENTS

Fig. 9-1 Front side



- A Output terminals
- B Chassis ground terminal
Connection of the chassis to ground is optional and not required since the unit fulfils the requirements according to protection class III.
- C Input terminals for input 1
- D Input terminals for input 2
- E Alarm-signal terminals for input 1 monitoring (relay contact)
- F Alarm-signal terminals for input 2 monitoring (relay contact)
- G Green LED for input 1 (LED is on, when input voltage is in range)
- H Green LED for input 2 (LED is on, when input voltage is in range)

10. EMC

The redundancy module is suitable for applications in industrial environment as well as in residential, commercial and light industry environment without any restrictions. A detailed EMC report is available on request.

EMC Immunity	According generic standards: EN 61000-6-1 and EN 61000-6-2			
Electrostatic discharge	EN 61000-4-2	Contact discharge	8kV	Criterion A
		Air discharge	15kV	Criterion A
Electromagnetic RF field	EN 61000-4-3	80MHz-2.7GHz	10V/m	Criterion A
Fast transients (Burst)	EN 61000-4-4	Input lines	2kV	Criterion A
		Output lines	2kV	Criterion A
		Alarm contacts	2kV	Criterion A
Surge voltage on input lines	EN 61000-4-5	+/- → Chassis ground	1kV	Criterion A
Surge voltage on output lines	EN 61000-4-5	+/- → Chassis ground	1kV	Criterion A
Surge voltage on alarm contacts	EN 61000-4-5	Alarm contact → Chassis ground	1kV	Criterion A
Conducted disturbance	EN 61000-4-6	0.15-80MHz	10V	Criterion A
Power-frequency magnetic field *)	EN 61000-4-8	50Hz	30A/m	Criterion A

Criteria:

A: Redundancy module shows normal operation behavior within the defined limits.

Notes:

*) A test is not applicable according to EN 61000-6-2, since the device does not contain components susceptible to magnetic fields, e.g. hall elements, electrodynamic microphones, etc.

EMC Emission	According generic standards: EN 61000-6-3 and EN 61000-6-4		
Conducted emission	IEC/CISPR 16-1-2, IEC/CISPR 16-2-1	Class B, input lines *)	
	IEC/CISPR 16-1-2, IEC/CISPR 16-2-1	Class B, output lines *)	
Radiated emission	EN 55011, EN 55032	Class B	

This device complies with FCC Part 15 rules.

Operation is subjected to following two conditions: (1) this device may not cause harmful interference, and (2) this device must accept any interference received, including interference that may cause undesired operation.

*) Provided, that power sources connected on the inputs fulfill the class B requirements too.

11. ENVIRONMENT

Operational temperature *)	-40°C to +70°C	Reduce output power above +60°C
Output derating	0.5A/°C	+60 to +70°C, see Fig. 11-1
Storage temperature	-40 to +85°C	for storage and transportation
Humidity **)	5 to 95% r.H.	IEC 60068-2-30
Vibration sinusoidal ***)	2-17.8Hz: ±1.6mm 17.8-500Hz: 2g 2 hours / axis	IEC 60068-2-6
Shock ***)	30g 6ms, 20g 11ms 3 bumps / direction 18 bumps in total	IEC 60068-2-27
Altitude	0 to 2000m 2000 to 6000m	without any restrictions reduce output power or ambient temperature, see Fig. 11-2
Altitude derating	1.25A/1000m or 5°C/1000m	> 2000m, see Fig. 11-2
Over-voltage category	not applicable	The concept of the overvoltage category is used for equipment energized directly from the low voltage mains (IEC 60664-1 §4.3.3.2.1).
Degree of pollution	2	IEC 62103, EN 50178, not conductive

*) Operational temperature is the same as the ambient temperature and is defined as the air temperature 2cm below the unit.

***) Do not energize while condensation is present

***) Tested in combination with DIN rails according to EN 60715 with a height of 15mm and a thickness of 1.3mm and standard mounting orientation.

Fig. 11-1 Output current vs. ambient temp.

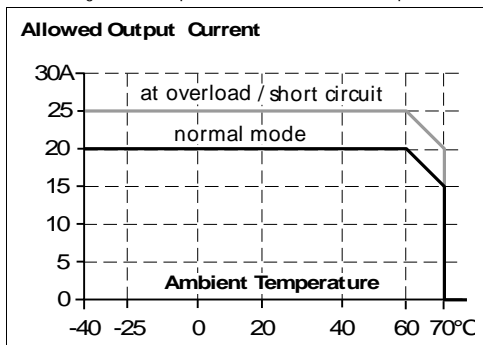
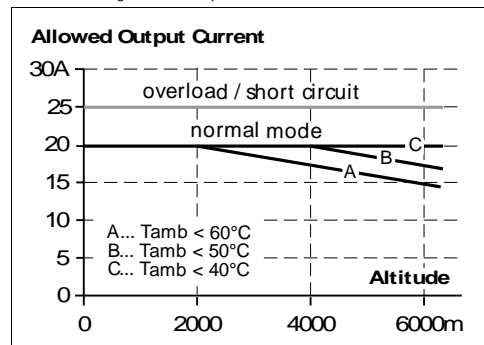


Fig. 11-2 Output current vs. altitude



12. PROTECTION FEATURES

Output over-current protection	not included	
Reverse input polarity protection	included	unit does not start when input voltage is reversed
Degree of protection	IP 20	EN/IEC 60529
Penetration protection	> 3.6mm	e.g. screws, small parts
Over-temperature protection	not included	
Input transient protection	not included	
Output transient protection	included	see EMC chapter
Internal input fuse	not included	

13. SAFETY FEATURES

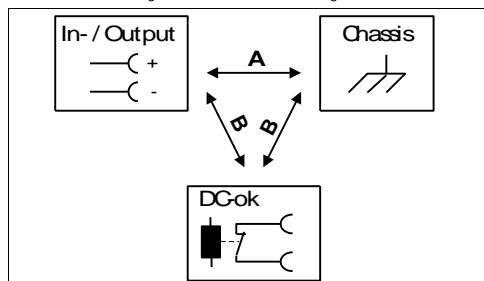
Input / output separation	no galvanic separation	200V epitaxial diode between input and output
Safety level of output voltage	The output voltage is regarded to be SELV (EN 60950-1) or PELV (EN 60204-1, EN 50178, IEC 60364-4-41) if the input voltage and the voltage which is applied to the alarm contacts fulfil the requirements for a SELV source or PELV source.	
Class of protection	III	PE (Protective Earth) or chassis connection not required
PE resistance	< 0.10hm	between housing and chassis-ground terminal

14. DIELECTRIC STRENGTH

The input and output voltages have the same reference, are floating and have no ohmic connection to ground. Type and factory tests are conducted by the manufacturer. Field tests may be conducted in the field using the appropriate test equipment which applies the voltage with a slow ramp (2s up and 2s down). Connect input/output/signal terminals together before conducting the test.

When testing, set the cut-off current settings to the value in the table below.

Fig. 14-1 Dielectric strength



		A	B
Type test	60s	500Vac	500Vac
Factory test	5s	500Vac	500Vac
Field test	5s	500Vac	500Vac
Cut-off current setting		> 2mA	

15. APPROVED, FULFILLED OR TESTED STANDARDS

UL 508		UL Certificate Listed equipment for category NMTR - Industrial Control Equipment Applicable for US and Canada E-File: E198865
IEC 60950-1	CB Report	CB Scheme Certificate General safety requirements for Information Technology Equipment (ITE)
UL 60950-1		UL Certificate Recognized component for category QQQQ - Information Technology Equipment (ITE) Applicable for US and Canada E-File: E137006
ATEX		Agency Certificate (Bureau Veritas) EN 60079-0 Explosive atmospheres - General requirements EN 60079-7, EN 60079-15 Equipment protection by type of protection "e" and "n" Certificate: EPS 11 ATEX 1 312 X Temperature Code: T4 Type of Protection: ec nC
IECEX	IECEX	IECEX Certificate IEC 60079-0 Explosive atmospheres - General requirements IEC 60079-7, IEC 60079-15 Equipment protection by type of protection "e" and "n" Certificate: IECEX EPS 12.0032 X Temperature Code: T4 Type of Protection: ec nC
Class I Div 2		CSA Certificate Power Supplies for Hazardous Location Applicable for Canada and US CSA Class: 5318-01 (Canada), 5318-81 (USA) Temperature Code: T4 Groups: A, B, C and D
Marine (DNV)		DNV Certificate DNV Type approved product Certificate: TAA00001ST Temperature: Class D Humidity: Class B Vibration: Class C EMC: Class A Enclosure: Class A
Marine (ABS)	ABS	ABS Design Assessment Certificate ABS (American Bureau of Shipment) assessed product Certificate: 17-HG1599236-PD
IEC 60068-2-60		Manufacturer's Declaration (Online Document) Environmental Tests, Flowing Mixed Gas Corrosion Test Test Ke - Method 4 H2S: 10ppb NO2: 200ppb Cl2: 10ppb SO2: 200ppb Test Duration: 3 weeks, which simulates a service life of 10 years.

ISA-71.04 G3



Manufacturer's Declaration (Online Document)
 Airborne Contaminants Corrosion Test
 Severity Level: G3 Harsh
 H2S: 100ppb
 NOx: 1250ppb
 Cl2: 20ppb
 SO2: 300ppb
 Test Duration: 3 weeks, which simulates a service life of 10 years

VDMA 24364



Paint Wetting Impairment Substances Test (or LABS-Test)
 Tested for Zone 2 and test class C1 according to VDMA 24364-C1-L/W for solvents and water-based paints

16. REGULATORY PRODUCT COMPLIANCE

EU Declaration of Conformity



The CE mark indicates conformance with the
 - EMC directive
 - ATEX directive
 - RoHS directive

REACH Directive



Manufacturer's Statement
 EU regulation regarding the Registration, Evaluation, Authorisation and Restriction of Chemicals (REACH) fulfilled.
 EU Regulation (EC) 1907/2006

WEEE Directive



Manufacturer's Statement
 EU-Directive on Waste Electrical and Electronic Equipment (WEEE)
 Registered in Germany as business to business (B2B) products.
 WEEE-Reg.-Nr. DE 55837529

UKCA



UKCA Declaration of Conformity
 Trade conformity assessment for England, Scotland and Wales
 The UKCA mark indicates conformity with the UK Statutory Instruments
 2016 No.1091,
 2016 No.1107,
 2012 No.3032

CCC



CCC Certificate
 China Compulsory Certification (CNCA-C23-01:2019)
 Certificate for devices made in Suzhou/China (PULS Electronics):
 2022122303114925
 Certificate for devices made in Chomutov/Czech Republic (PULS investiční): 2021122303114444
 CCC-Ex

KC Korean Certificate



KC Registration
 Korean - Registration of Broadcasting and Communication Equipment
 KOSHA - Korea Occupational Safety and Health Agency
 Registration No. R-R-PUG-YRM2_DIODE

EAC TR Registration



EAC Certificate
 EAC EurAsian Conformity - Registration Russia, Kazakhstan and Belarus
 8504408200, 8504409000

17. PHYSICAL DIMENSIONS AND WEIGHT

Width	32mm
Height	124mm
Depth	117mm
Weight	350g
DIN rail	Use 35mm DIN rails according to EN 60715 or EN 50022 with a height of 7.5 or 15mm. The DIN rail depth must be added to the unit depth (117mm) to calculate the total required installation depth.
Installation clearances	See chapter 2

Fig. 17-1 Front view

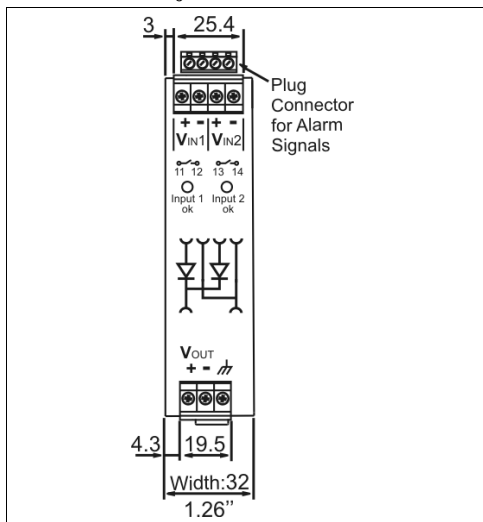
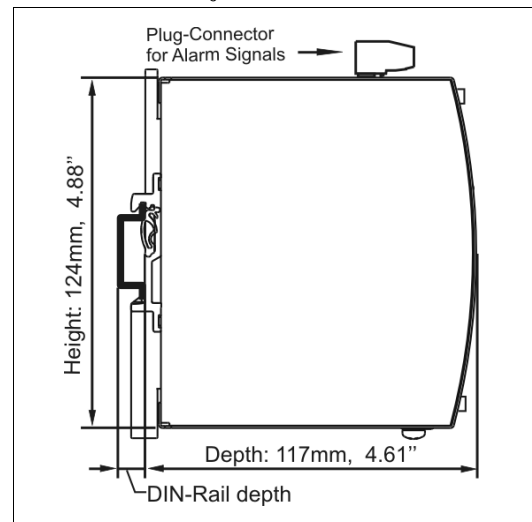


Fig. 17-2 Side view



18. ACCESSORIES

18.1. ZM1.WALL - WALL MOUNTING BRACKET

This standard bracket is used to mount the YR40 redundancy module onto a flat surface without utilizing a DIN rail.

Fig. 18-1 ZM1.WALL Wall mounting bracket

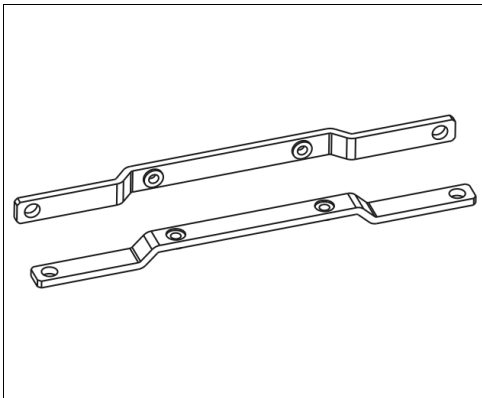
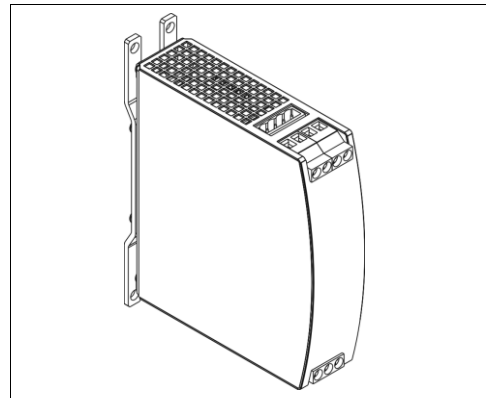


Fig. 18-2 Assembled wall mounting bracket



18.2. ZM11.SIDE - SIDE MOUNTING BRACKET

This bracket is used to mount the YR80 redundancy module sideways with or without utilizing a DIN rail.

The two aluminum brackets and the black plastic slider of the unit have to be detached, so that the steel brackets can be mounted.

For sideways DIN rail mounting, the removed aluminum brackets and the black plastic slider need to be mounted on the steel bracket.

Fig. 18-3
ZM11.SIDE Side mounting bracket

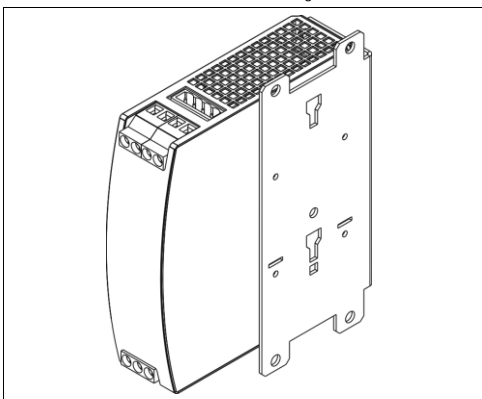
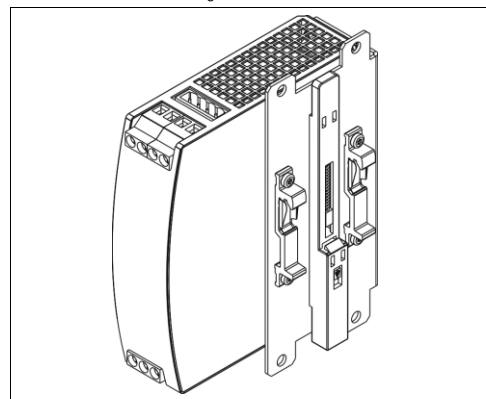


Fig. 18-4
Side mounting with DIN rail brackets



19. APPLICATION NOTES

19.1. RECOMMENDATIONS FOR REDUNDANCY

Recommendations for the configuration of redundant power systems:

- Use separate input fuses for each power supply.
- Use three-phase power supplies to gain functional safety if one phase fails.
- When single-phase power supplies are utilized connect them to different phases or mains circuits if possible.
- Set the power supply in "Parallel-Use" mode if this feature is available
- It is desirable to set the output voltages of all power supplies to the same value.

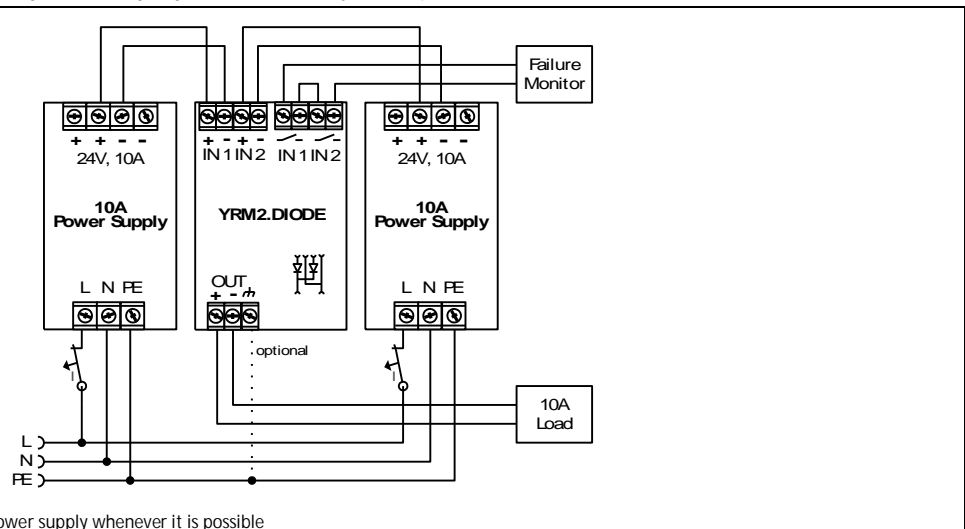
19.2. INDUCTIVE AND CAPACITIVE LOADS

The unit is designed to supply any kind of loads, including unlimited capacitive and inductive loads.

19.3. EXAMPLE: 1+1 REDUNDANCY UP TO 10A

1+1 Redundancy up to 10A requires two 10A power supplies and one YRM2.DIODE redundancy module.

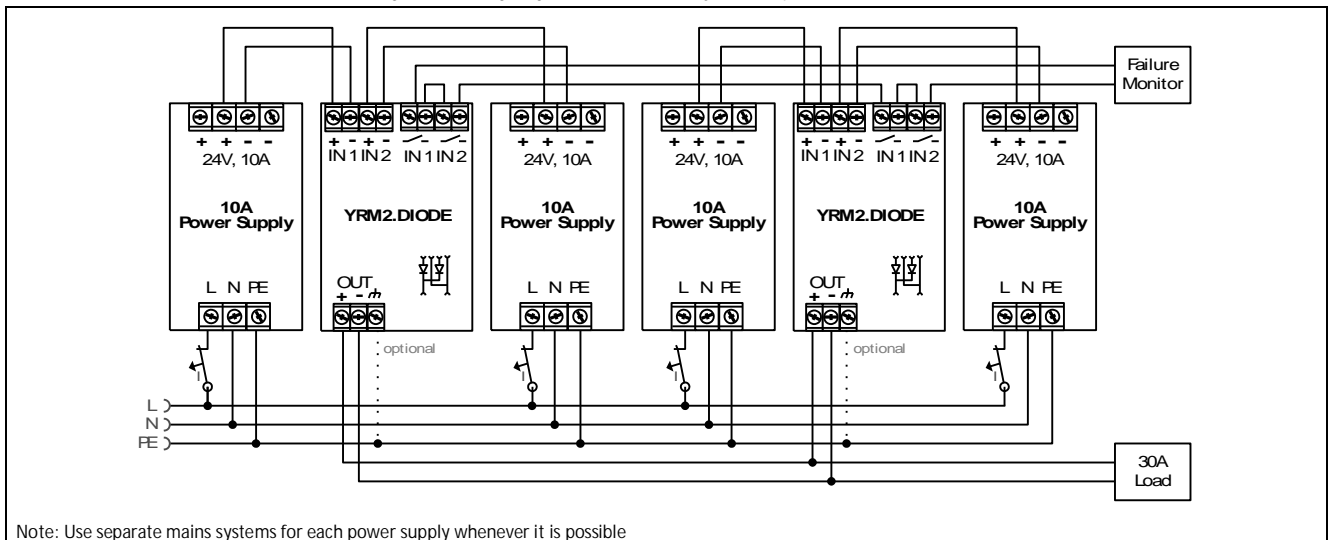
Fig. 19-1 Wiring diagram, 1+1 Redundancy, 10A output current



19.4. EXAMPLE: N+1 REDUNDANCY UP TO 30A

N+1 Redundancy up to 30A requires four 10A power supplies and two YRM2.DIODE redundancy modules.

Fig. 19-2 Wiring diagram, n+1 Redundancy, 30A output current



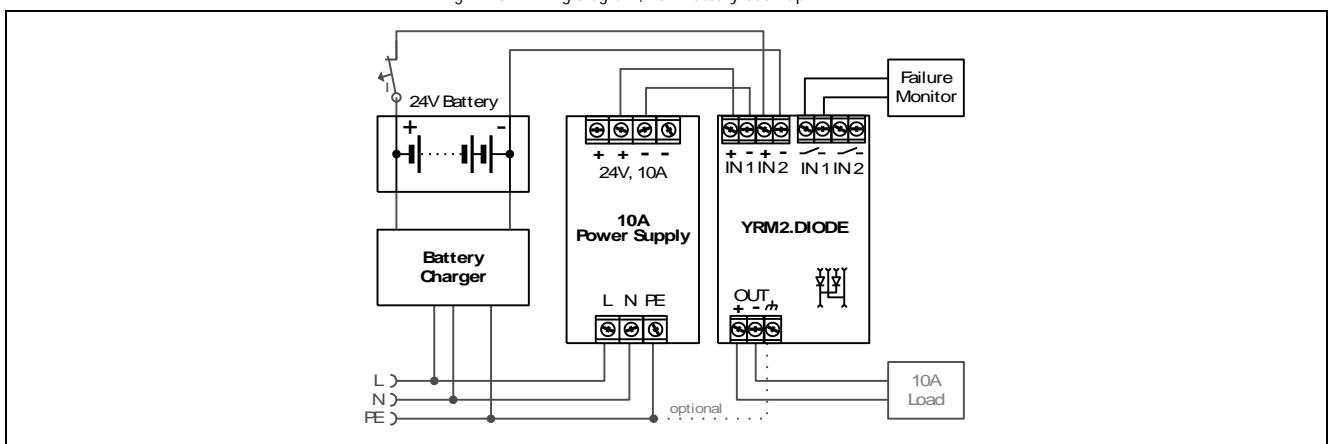
19.5. EXAMPLE: BATTERY BACK-UP

A battery back-up with 10A requires one 10A power supply and one YRM2.DIODE redundancy module.

Please note:

Set output voltage of power supply to 26.5Vdc minimum to ensure, that the load current is delivered from the power supply and not from charger (battery). Use a fuse between battery and YRM2.DIODE!

Fig. 19-3 Wiring diagram, 10A Battery back-up

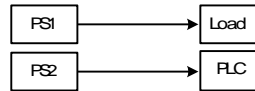


19.6. EXAMPLE: REDUNDANCY FOR CONTROLS

The example shows a cost effective solution to get redundant power for a PLC or controller system.

In many cases, two power supplies are used; one for the demanding loads and another one for the controls and sensitive loads. The power supply for the demanding loads can be used as a redundant source to supply the controls.

Traditional approach:



Improved approach:

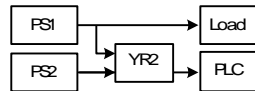
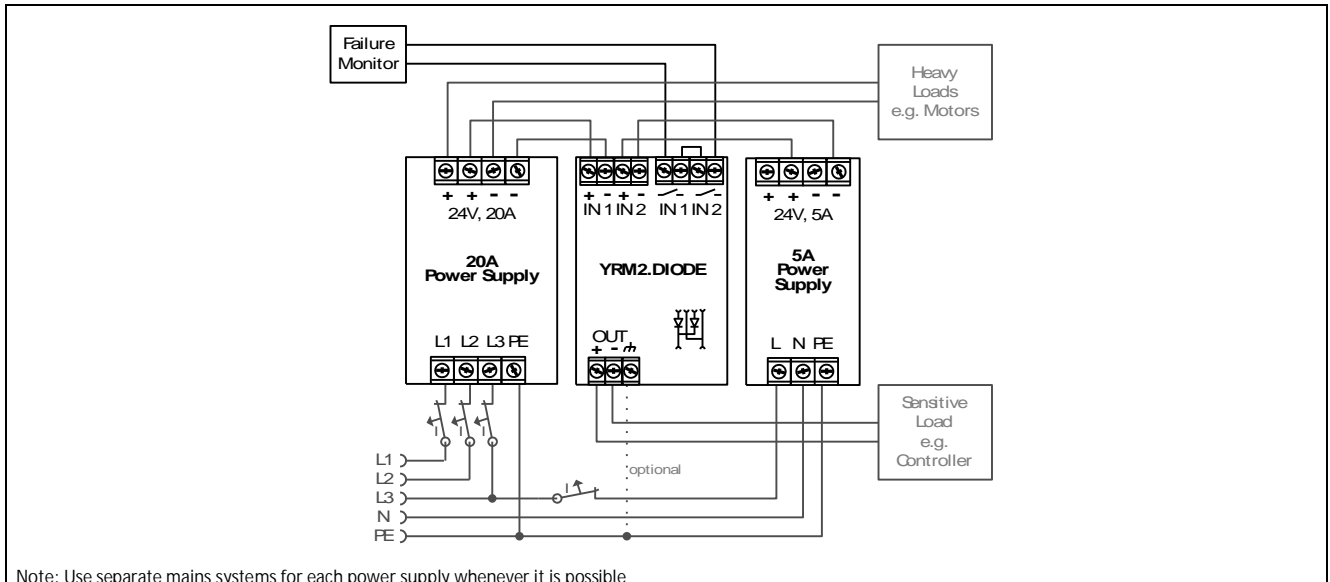


Fig. 19-4 Wiring diagram, redundancy for sensitive loads



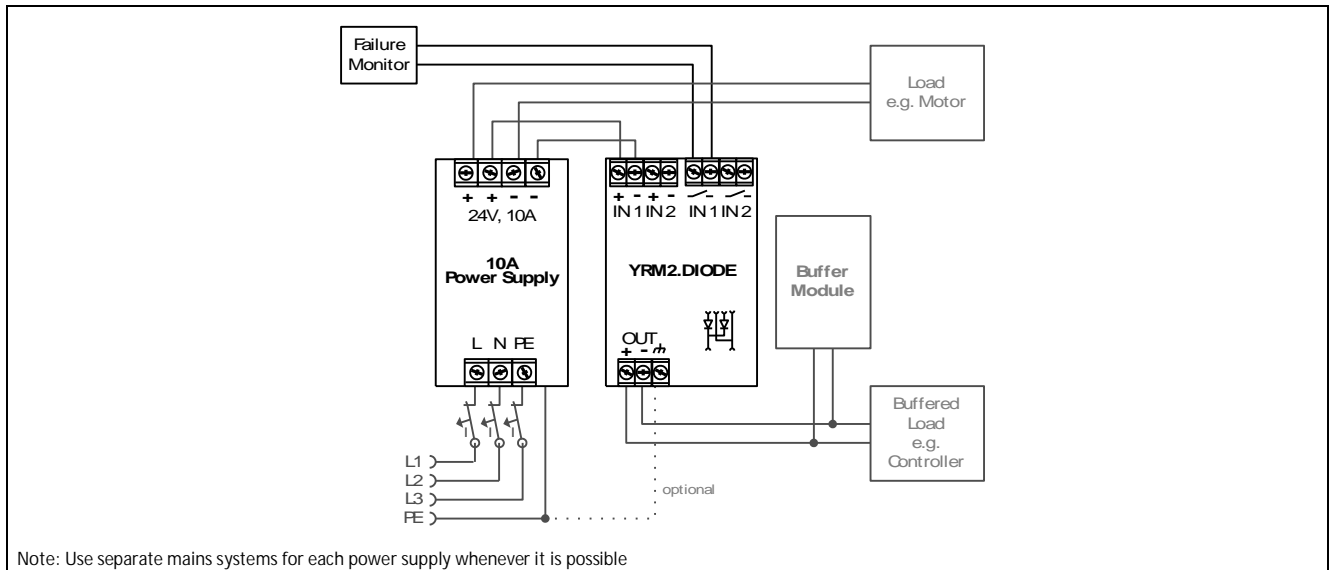
19.7. EXAMPLE: DECOUPLING OF BRANCHES

Buffer energy supplied from a DC-UPS or buffer module is not wasted in "power branches".

Please note:

Set output voltage of the power supply to a level that the buffer unit or DC-UPS will not start unexpected. Take the voltage drop of the YRM2.DIODE into account.

Fig. 19-5 Wiring diagram, decoupling of buffered branches



19.8. USE IN A TIGHTLY SEALED ENCLOSURE

When the redundancy module is installed in a tightly sealed enclosure, the temperature inside the enclosure will be higher than outside. The inside temperature defines the ambient temperature for the redundancy module.

Results from such an installation:

Power supply is placed in the middle of the box, no other heat producer inside the box

Enclosure: Rittal Typ IP66 Box PK 9516 100, plastic, 110x180x165mm

Load: 24V, 16A; (=80%) load is placed outside the box

Input: 24Vdc

Temperature inside enclosure: 58.8°C (in the middle of the right side of the power supply with a distance of 2cm)

Temperature outside enclosure: 24.6°C

Temperature rise: 34.2K

19.9. MOUNTING ORIENTATIONS

Mounting orientations other than input terminals on the bottom and output on the top require a reduction in continuous output power or a limitation in the maximum allowed ambient temperature.

Fig. 19-6
Mounting
Orientation A
(Standard
orientation)

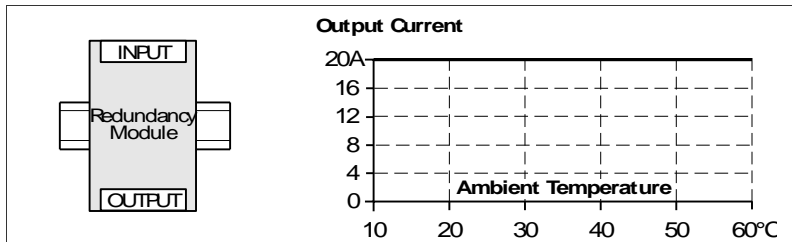


Fig. 19-7
Mounting
Orientation B
(Upside down)

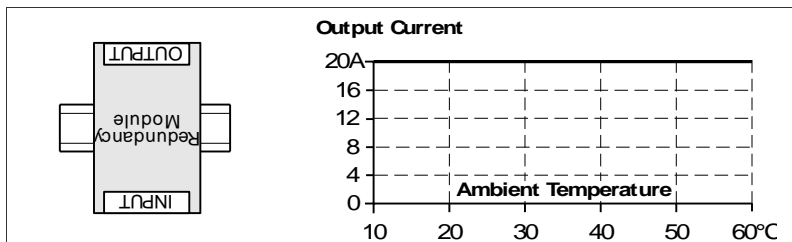


Fig. 19-8
Mounting
Orientation C
(Table-top
mounting)

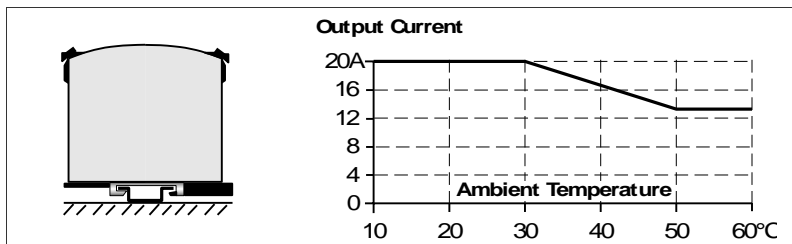


Fig. 19-9
Mounting
Orientation D
(Horizontal cw)

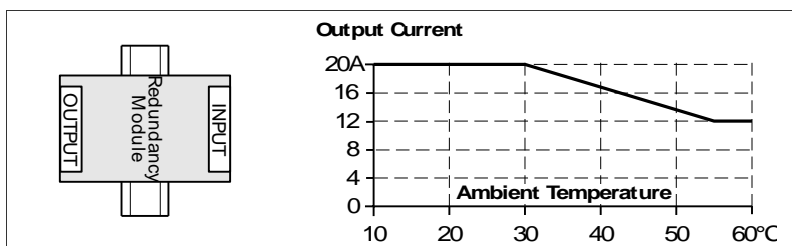
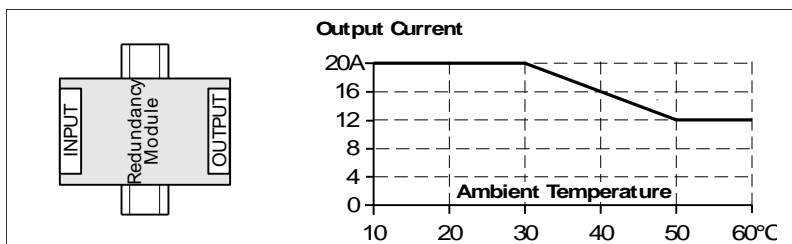


Fig. 19-10
Mounting
Orientation E
(Horizontal ccw)



20. HISTORY

Rev. 1.7	Update: Reverse Voltage